

EE43/EE100 Prelab #3
Equivalent Circuit

Name: _____

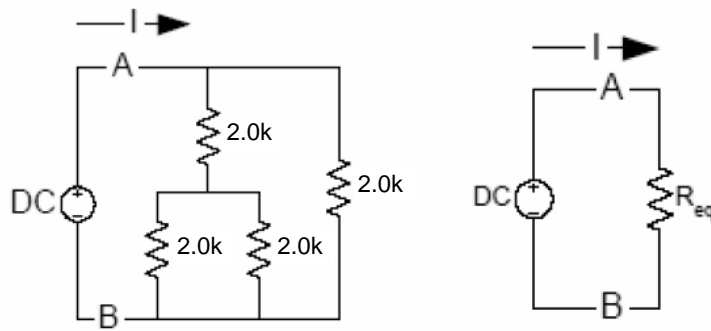
TA: _____

Section: _____

Equivalent Circuits Prelab

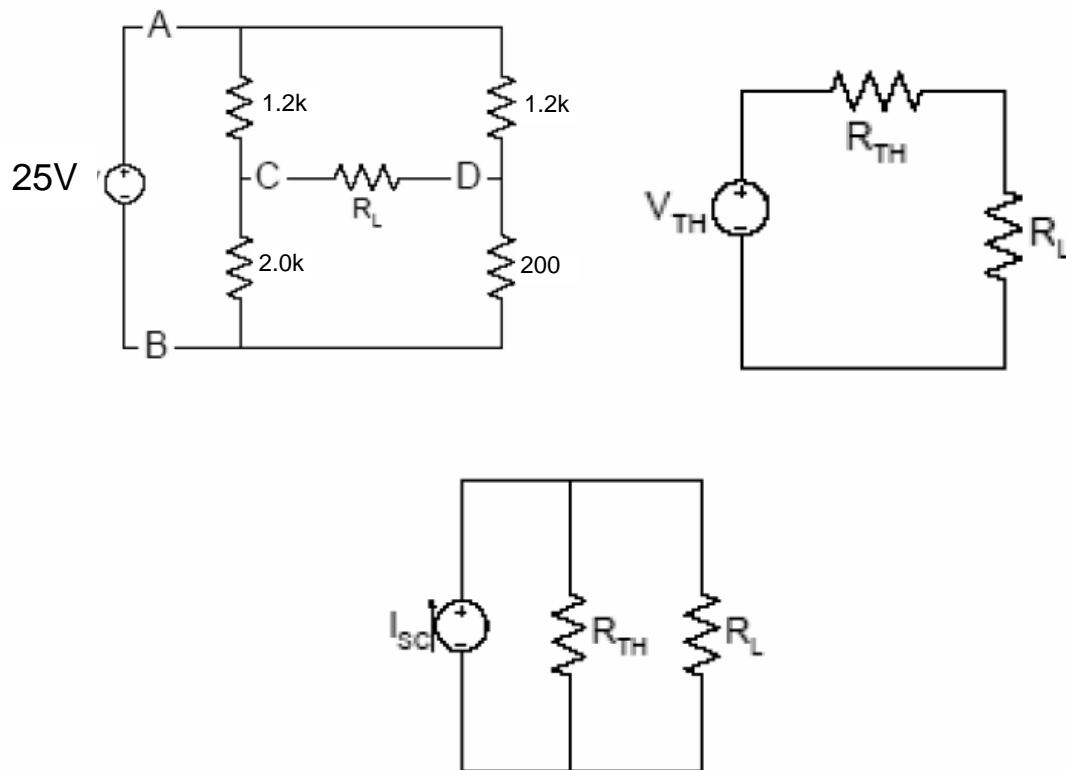
NOTE: Many of these theoretical values will be used in your lab. Please record your theoretical values in questions 2 and 5 of your lab report.

- 1) The two circuits given below are equivalent. What is R_{eq} ?



$R_{eq} =$ _____

2) The three circuits given below are equivalent.



- What is the value of R_{TH} ?
- What is the value of I_{SC} ?
- What is the value of V_{TH} ?