

Op-Amp Prelab

Name: _____

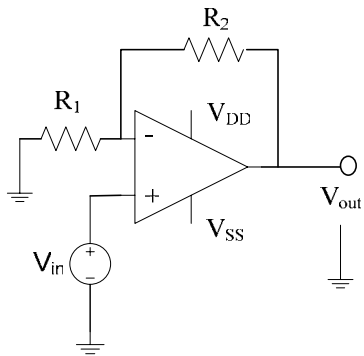
TA: _____

Session: _____

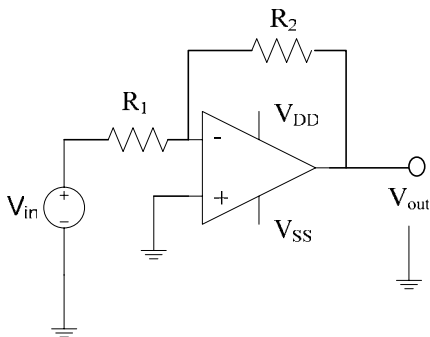
1. For the Op-Amp we are going to use LMC 6482, which pin is V_{DD} (V^+) and which is ground (V)? What are the voltages we are going to use for V_{DD} and V_{SS} ? [2]

2. Derive the gain (V_{out}/V_{in}) expression in terms of R_1 and R_2 for the following amplifiers. [4]

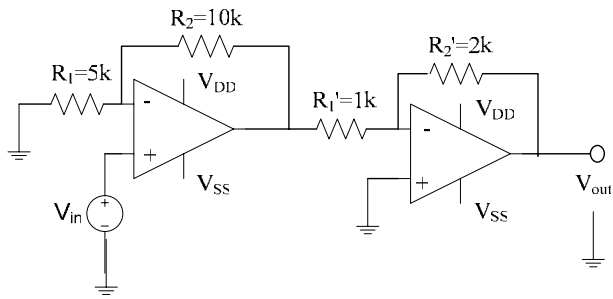
- (a) Noninverting amplifier [2]



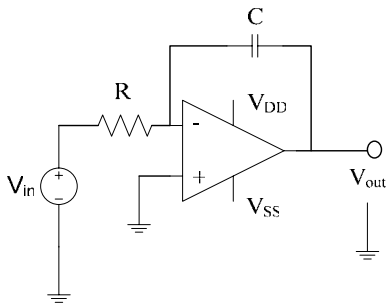
- (b) Inverting amplifier [2]



3. What is the gain of this circuit? [2]



4. Show the relation of output and input voltage of the following circuit is integration. [2]



Current going through R and C should be the same value but opposite directions.

5. Show the relation of output and input voltage of the following circuit is differentiation. [2]

