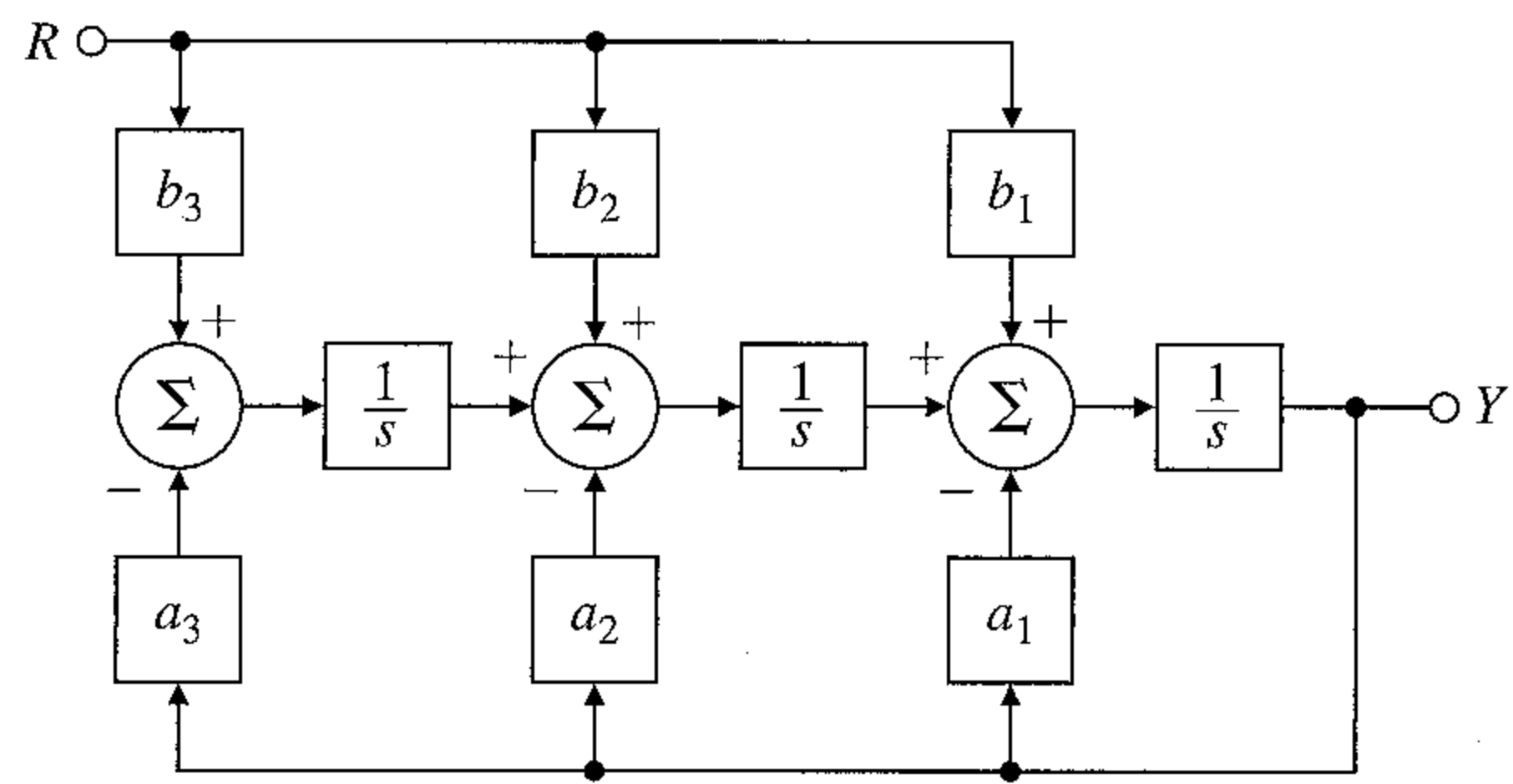
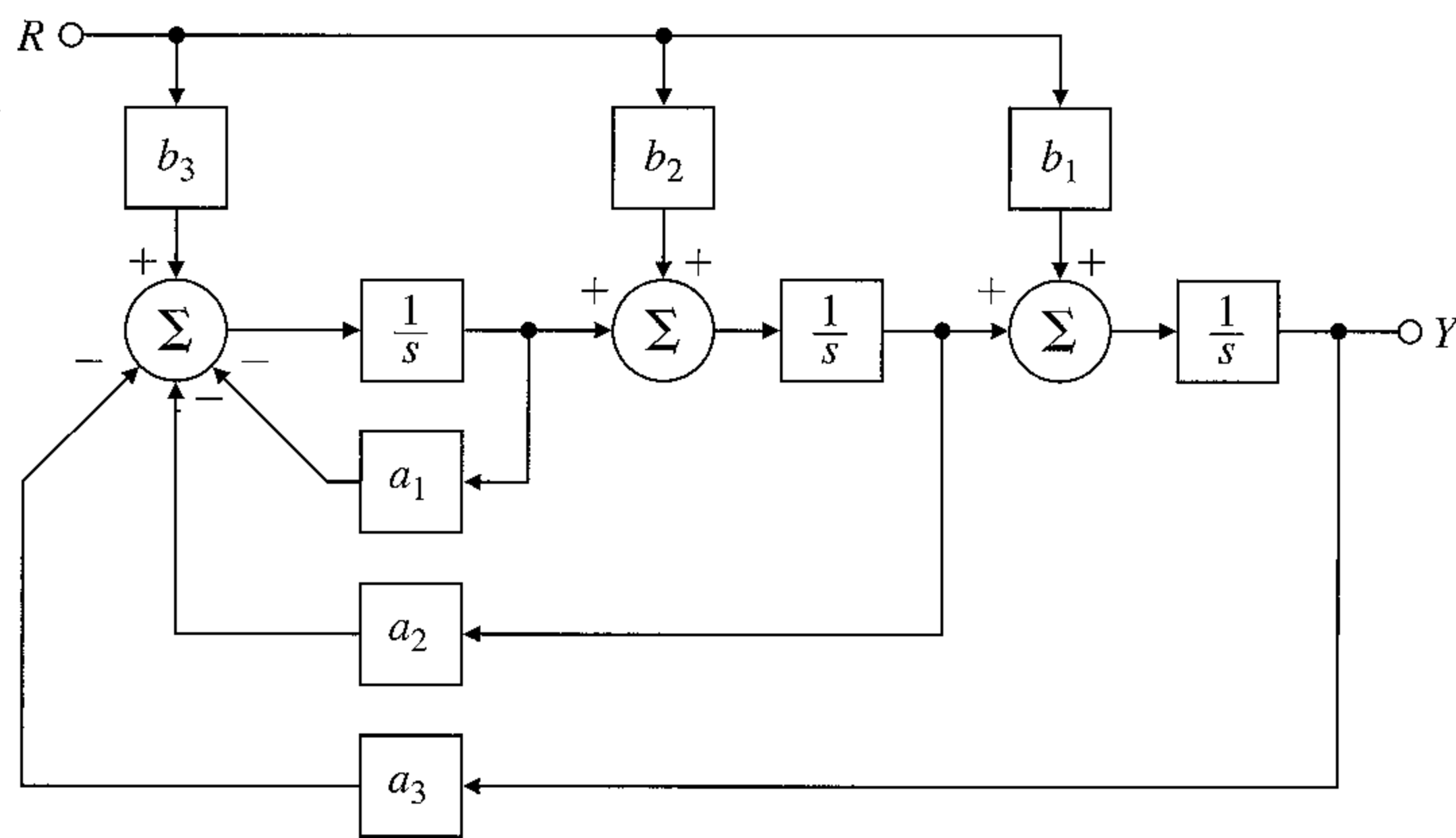


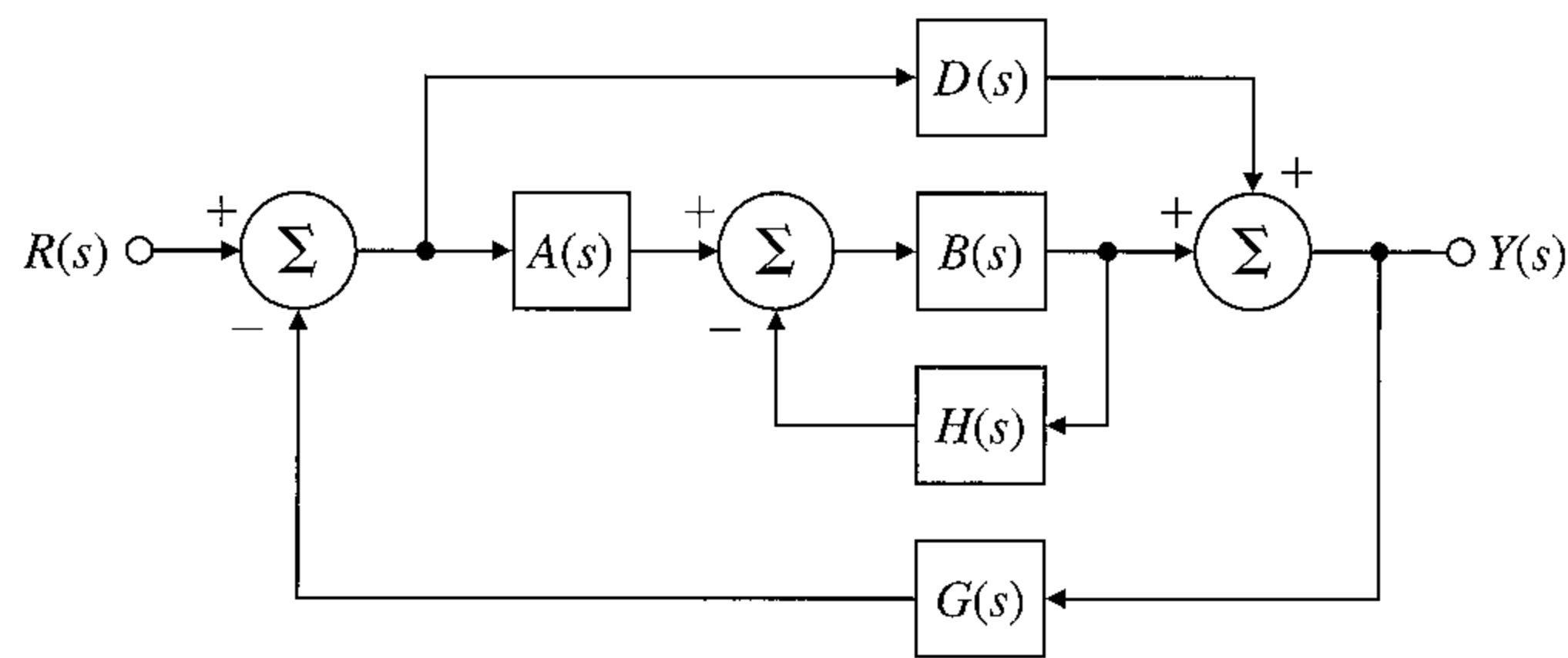
(a)



(b)



(c)



(d)

3.20. Find the transfer functions for the block diagrams in Fig. 3.55, using the following:

(a) The ideas of Figs. 3.6 and 3.7.

(b) Mason's rule.