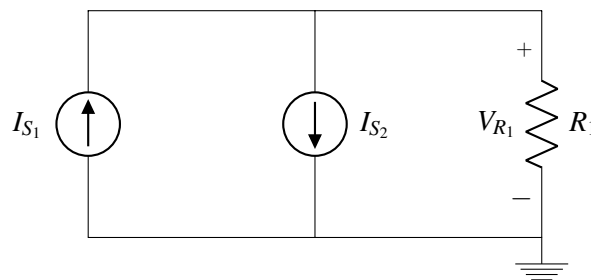


1. Super-power

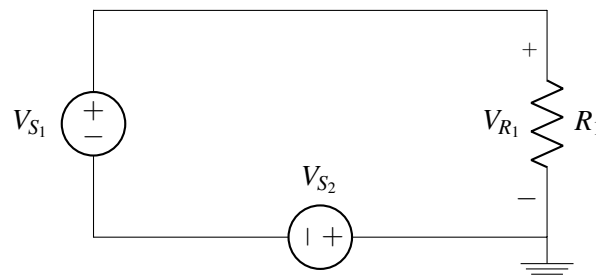
For the following circuits:

- i. Use the superposition theorem to solve for the voltages across the resistors.
- ii. For parts (a) and (b) only, find the power dissipated/generated by all components. Is power conserved?

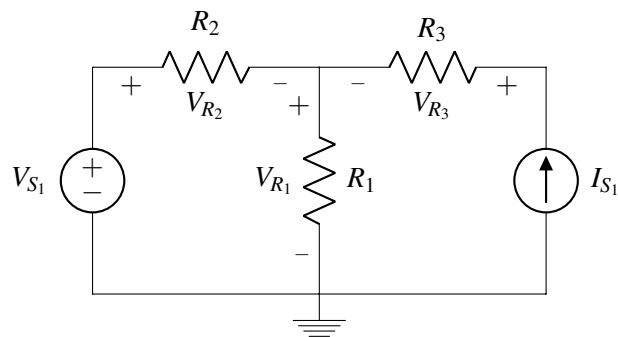
(a)



(b)



(c)



2. Circuit Analysis

Solve for the voltages across and the currents flowing through each component.

