

CS 61C: Great Ideas in Computer
Architecture (Machine Structures)
*Lecture 37: IO Interrupts and
Networks*

Instructor:
Sung Roa Yoon

Slides:
Mike Franklin
Dan Garcia

Review

- I/O gives computers their 5 senses + long term memory
- I/O speed range is 7 Orders of Magnitude (or more!)
- Processor speed means must synchronize with I/O devices before use
- Polling works, but expensive
 - processor repeatedly queries devices
- Interrupts work, but more complex
 - we'll talk about these today

Exceptions and Interrupts

- “Unexpected” events requiring change in flow of control
 - Different ISAs use the terms differently
- Exception
 - Arises within the CPU
 - e.g., Undefined opcode, overflow, syscall, TLB Miss,...
- Interrupt
 - From an external I/O controller
- Dealing with them without sacrificing performance is difficult

Handling Exceptions

- In MIPS, exceptions managed by a System Control Coprocessor (CPO)
- Save PC of offending (or interrupted) instruction
 - In MIPS: save in special register called *Exception Program Counter (EPC)*
- Save indication of the problem
 - In MIPS: saved in special register called *Cause* register
 - We'll assume 1-bit
 - 0 for undefined opcode, 1 for overflow
- Jump to exception handler code at address $8000\ 0180_{\text{hex}}$

Exception Properties

- Restartable exceptions
 - Pipeline can flush the instruction
 - Handler executes, then returns to the instruction
 - Refetched and executed from scratch
- PC saved in EPC register
 - Identifies causing instruction
 - Actually PC + 4 is saved because of pipelined implementation
 - Handler must adjust PC to get right address

Handler Actions

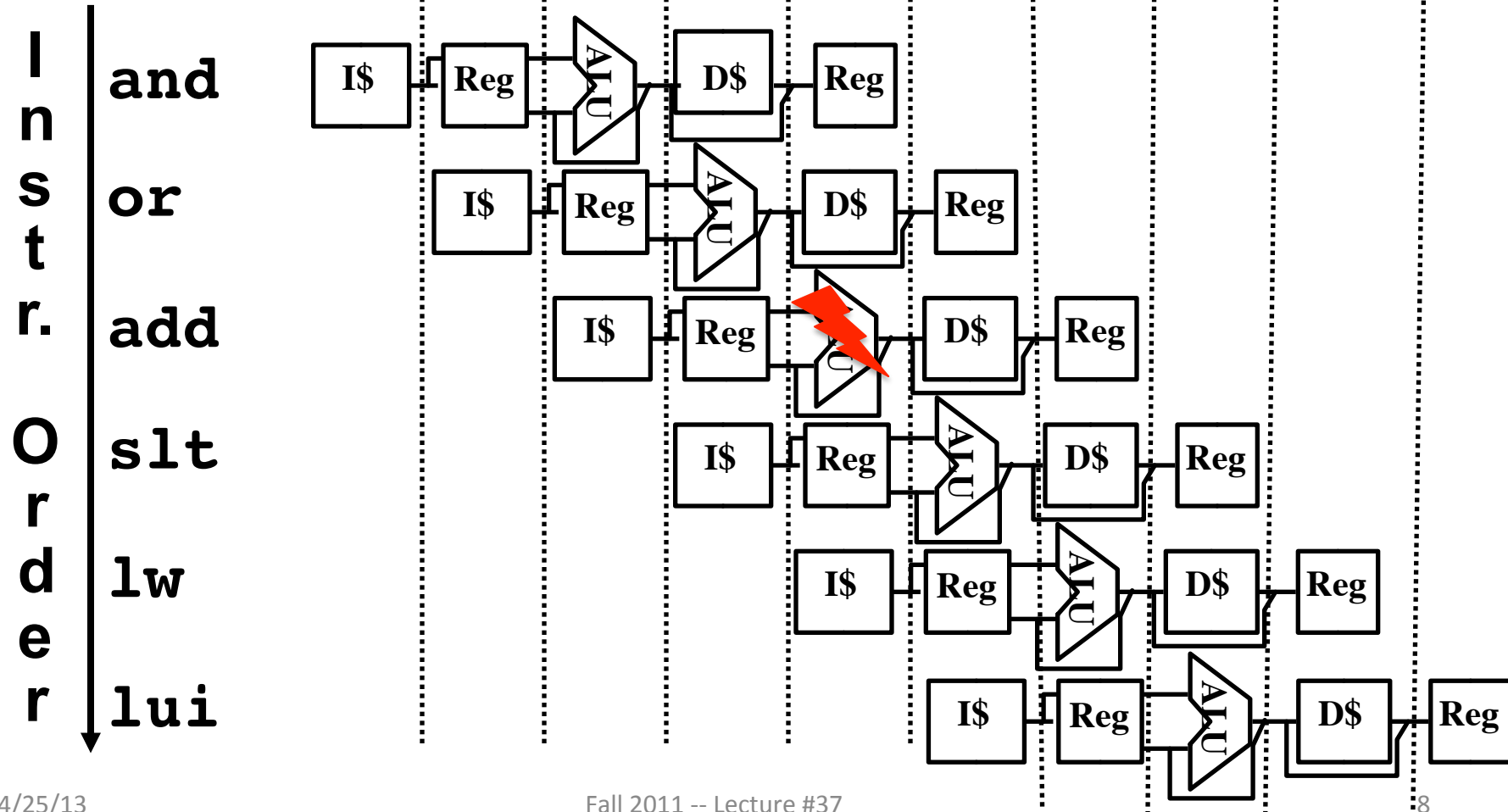
- Read Cause register, and transfer to relevant handler
- Determine action required
- If restartable exception
 - Take corrective action
 - use EPC to return to program
- Otherwise
 - Terminate program
 - Report error using EPC, cause, ...

Exceptions in a Pipeline

- Another kind of control hazard
- Consider overflow on add in EX stage
 - add \$1, \$2, \$1
 - Prevent \$1 from being clobbered
 - Complete previous instructions
 - Flush add and subsequent instructions
 - Set Cause and EPC register values
 - Transfer control to handler
- Similar to mispredicted branch
 - Use much of the same hardware

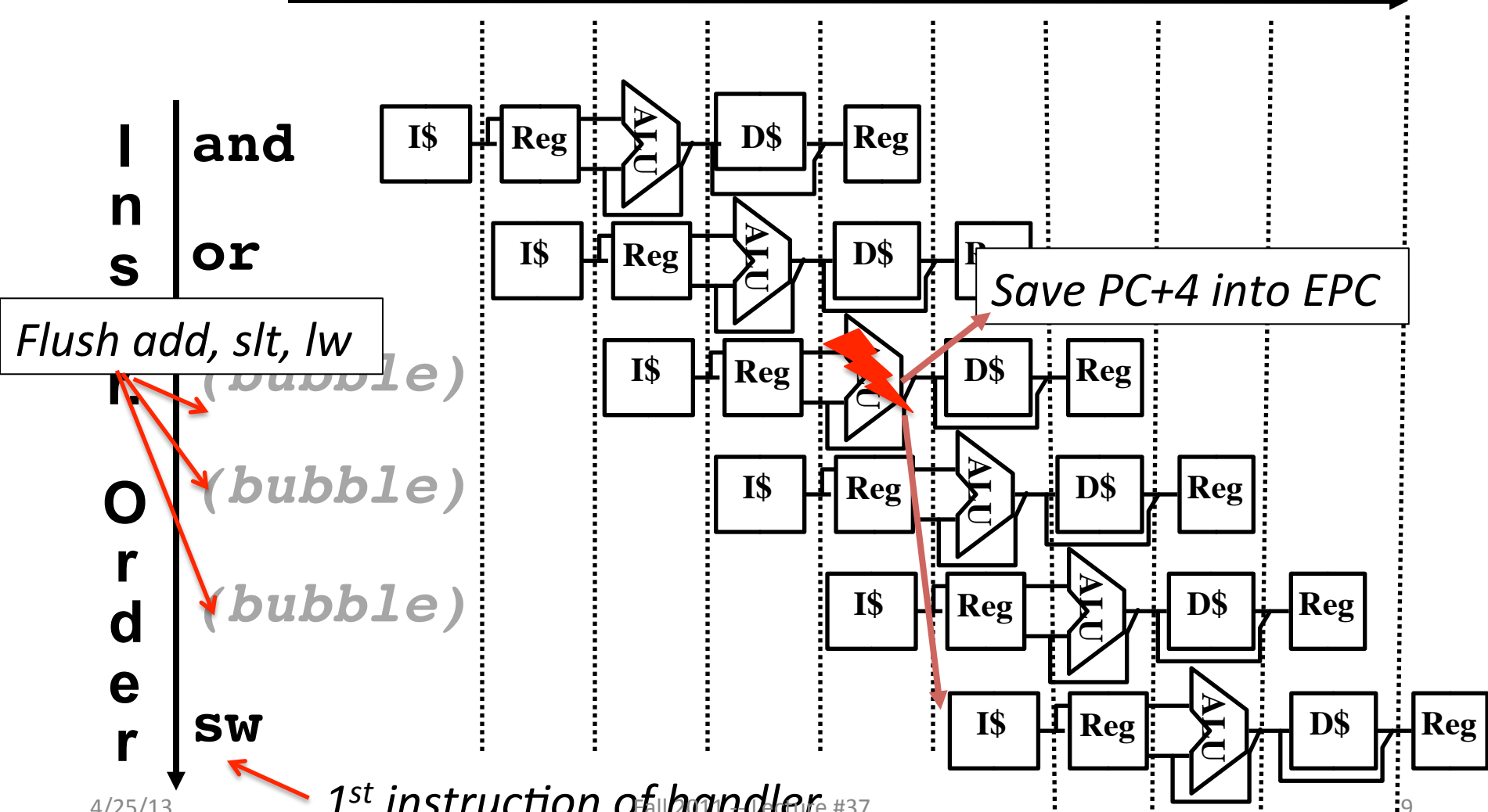
Exception Example

Time (clock cycles)



Exception Example

Time (clock cycles) →



Multiple Exceptions

- Pipelining overlaps multiple instructions
 - Could have multiple exceptions at once
 - E.g., Page fault in LW same clock cycle as Overflow of following instruction ADD
- Simple approach: deal with exception from *earliest* instruction, e.g., LW exception serviced 1st
 - Flush subsequent instructions
- Called *Precise* exceptions
- In complex pipelines:
 - Multiple instructions issued per cycle
 - Out-of-order completion
 - Maintaining precise exceptions is difficult!

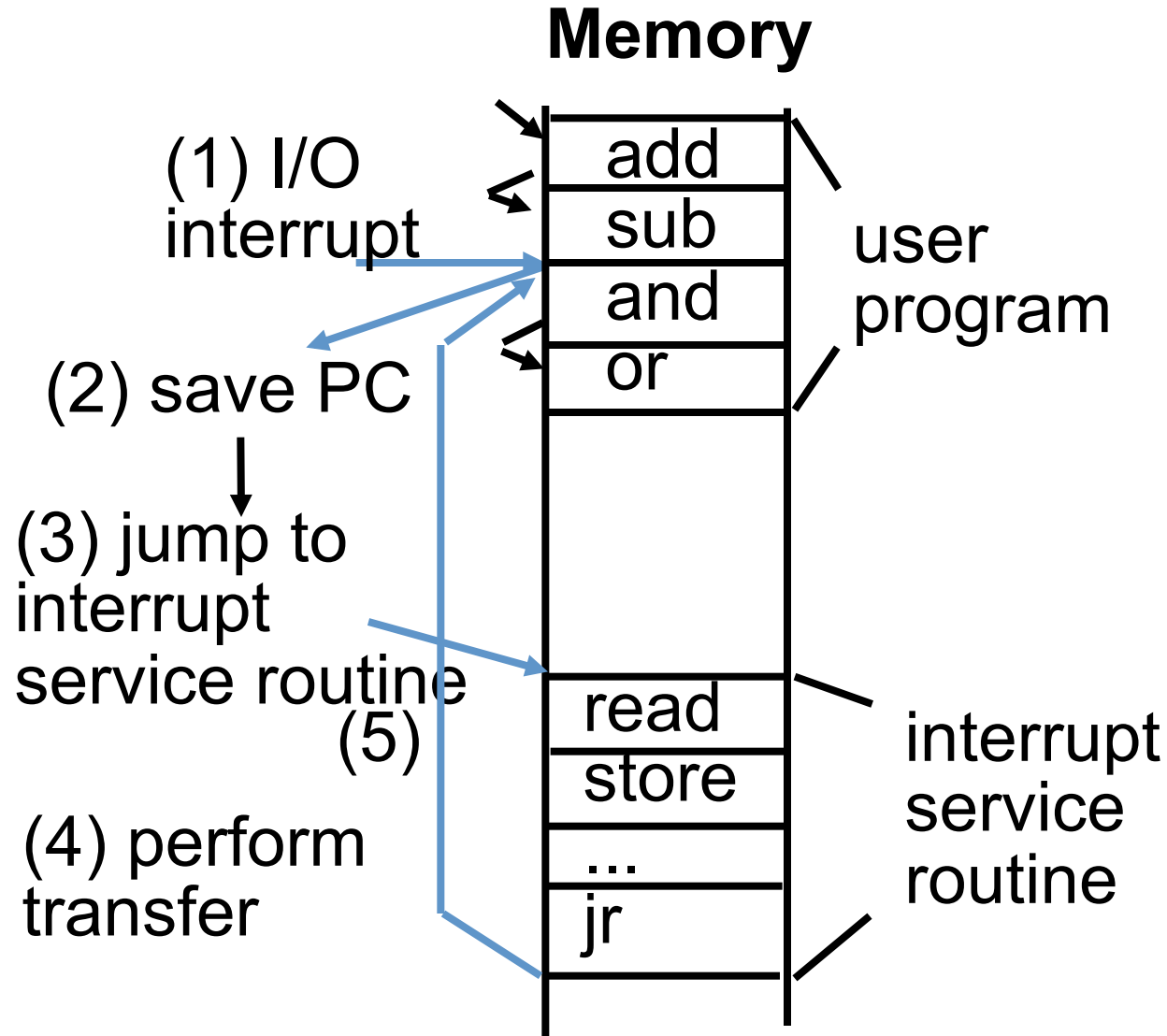
Imprecise Exceptions

- Just stop pipeline and save state
 - Including exception cause(s)
- Let the software handler work out
 - Which instruction(s) had exceptions
 - Which to complete or flush
 - May require “manual” completion
- Simplifies hardware, but more complex handler software
- Not feasible for complex multiple-issue out-of-order pipelines to always get exact instruction
- All computers today offer precise exceptions— affects performance though

I/O Interrupt

- An I/O interrupt is like an exception except:
 - An I/O interrupt is “asynchronous”
 - More information needs to be conveyed
- An I/O interrupt is asynchronous with respect to instruction execution:
 - I/O interrupt is not associated with any instruction, but it can happen in the middle of any given instruction
 - I/O interrupt does not prevent any instruction from completion

Interrupt-Driven Data Transfer



Benefit of Interrupt-Driven I/O

- Find the % of processor consumed if the hard disk is only active 5% of the time. Assuming 500 clock cycle overhead for each transfer, including interrupt:
 - Disk Interrupts/s = $5\% * 16 \text{ [MB/s]} / 16 \text{ [B/interrupt]}$
= 50,000 [interrupts/s]
 - Disk Interrupts [clocks/s]
= $50,000 \text{ [interrupts/s]} * 500 \text{ [clocks/interrupt]}$
= 25,000,000 [clocks/s]
 - % Processor for during transfer:
 $2.5 * 10^7 \text{ [clocks/s]} / 1 * 10^9 \text{ [clocks/s]} = \mathbf{2.5\% \text{ Busy}}$
- DMA (Direct Memory Access) even better – only one interrupt for an entire page!

Administrivia

- Project 3 part 2 grades will be released around next Monday.
- Project 4 is due May 5th, but you should get started ASAP
 - Next week's lab will be free section working on project 4
 - We will be holding normal discussions next week

Networks: Talking to the Outside World

- Originally sharing I/O devices between computers
 - E.g., printers
- Then communicating between computers
 - E.g., file transfer protocol
- Then communicating between people
 - E.g., e-mail
- Then communicating between networks of computers
 - E.g., file sharing, www, ...

The Internet (1962)

- Founders
 - JCR Licklider, as head of ARPA, writes on “intergalactic network”
 - 1963 : ASCII becomes first universal computer standard
 - 1969 : Defense Advanced Research Projects Agency (DARPA) deploys 4 “nodes” @ UCLA, SRI, Utah, & UCSB
 - 1973 Robert Kahn & Vint Cerf invent TCP, now part of the Internet Protocol Suite
- Internet growth rates
 - Exponential since start!

“Lick”

Vint Cerf

Revolutions like this don't come along very often

ASCII Alphabet			
A	1000001	N	1001110
B	1000010	O	1001111
C	1000011	P	1010000
D	1000100	Q	1010001
E	1000101	R	1010010
F	1000110	S	1010011
G	1000111	T	1010100
H	1001000	U	1010101
I	1001001	V	1010110
J	1001010	W	1010111
K	1001011	X	1011000
L	1001100	Y	1011001
M	1001101	Z	1011010

www.greatachievements.org/?id=3736

en.wikipedia.org/wiki/Internet_Protocol_Suite

The World Wide Web (1989)

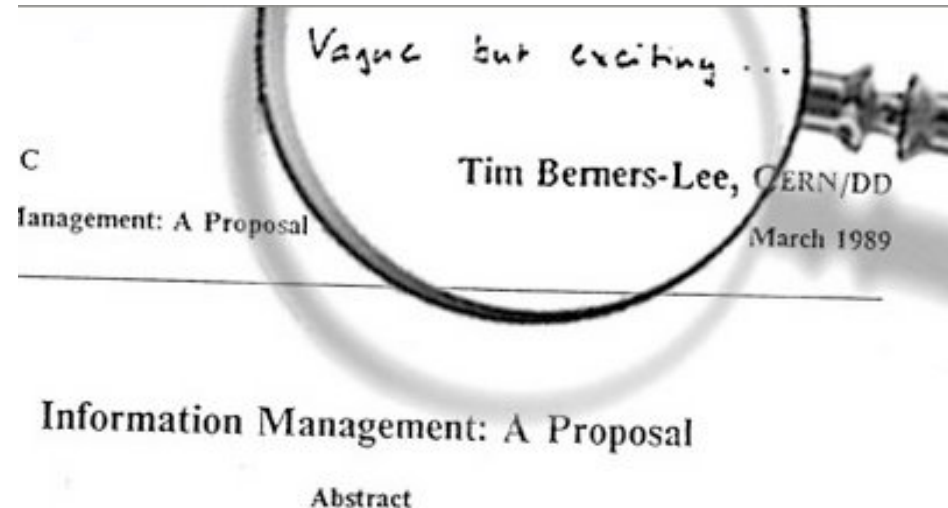
- “System of interlinked hypertext documents on the Internet”
- History
 - 1945: Vannevar Bush describes hypertext system called “memex” in article
 - 1989: Tim Berners-Lee proposes, gets system up '90
 - ~2000 Dot-com entrepreneurs rushed in, 2001 bubble burst
- Wayback Machine
 - Snapshots of web over time
- Today : Access anywhere!



Tim Berners-Lee



World's First web server in 1990

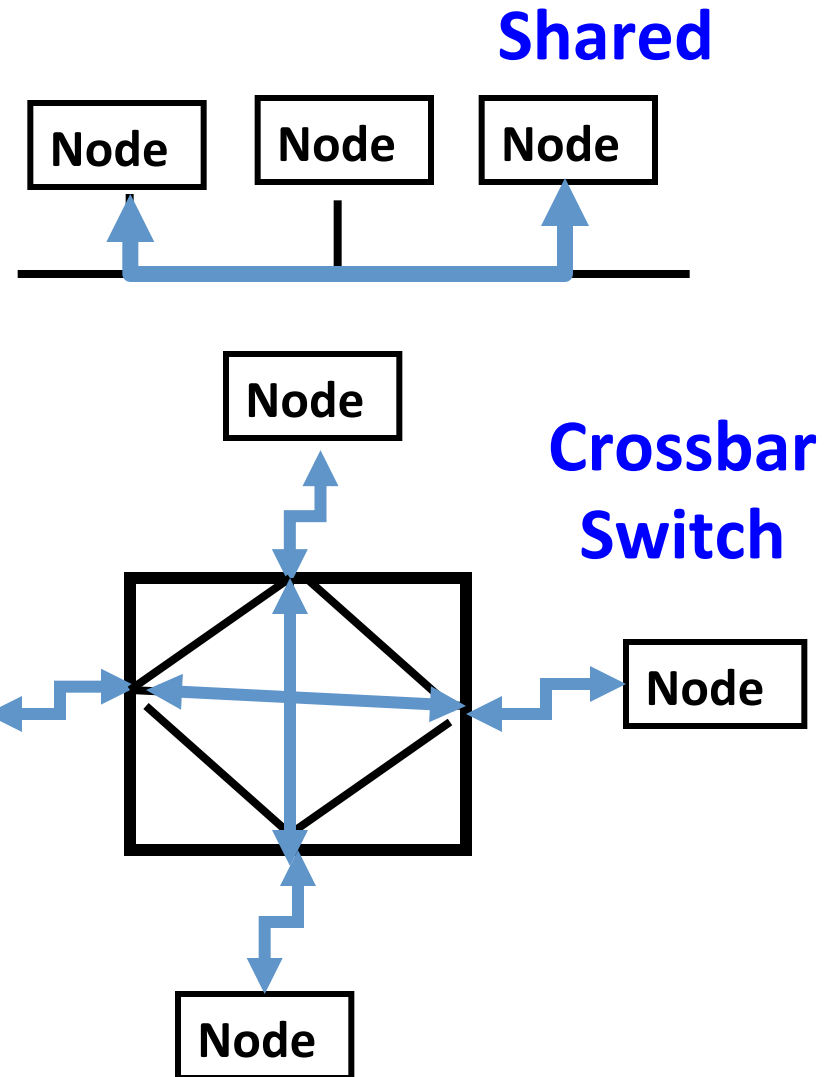


Information Management: A Proposal

Abstract

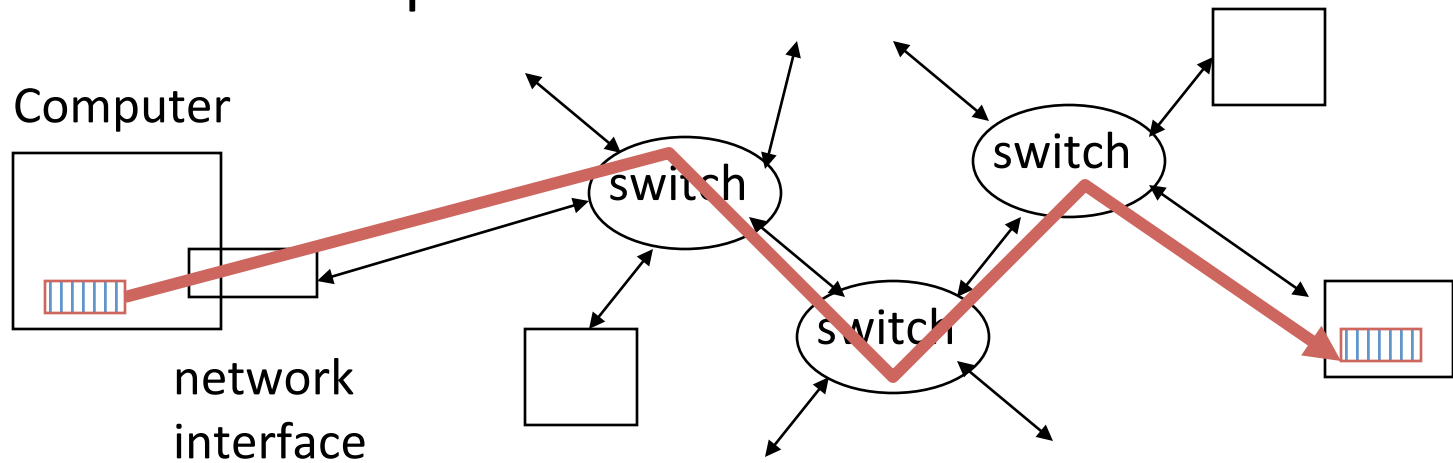
Shared vs. Switched Based Networks

- Shared vs. Switched:
 - **Shared:** 1 at a time (CSMA/CD)
 - **Switched:** pairs ("point-to-point" connections) communicate at same time
- Aggregate bandwidth (BW) in switched network is many times shared:
 - point-to-point faster since no arbitration, simpler interface



What makes networks work?

- links connecting switches and/or routers to each other and to computers or devices



- **ability to name the components and to route packets of information - messages - from a source to a destination**
- **Layering, redundancy, protocols, and encapsulation as means of abstraction (61C big idea)**

Software Protocol to Send and Receive

- SW Send steps
 - 1: Application copies data to OS buffer
 - 2: OS calculates checksum, starts timer
 - 3: OS sends data to network interface HW and says start
- SW Receive steps
 - 3: OS copies data from network interface HW to OS buffer
 - 2: OS calculates checksum, if OK, send ACK; if not, delete message (sender resends when timer expires)
 - 1: If OK, OS copies data to user address space, & signals application to continue



4/25/13 **Header**

Fall 2011 -- Lecture #37 **Payload**

Trailer 21

Protocol for Networks of Networks?

- Abstraction to cope with complexity of communication

- **Networks are like onions**

- **Hierarchy of layers:**

- **Application (chat client, game, etc.)**
- **Transport (TCP, UDP)**
- **Network (IP)**
- **Physical Link (wired, wireless, etc.)**



Networks are like onions.
They stink?
Yes. No!
Oh, they make you cry.
No!... Layers.
Onions have layers.
Networks have layers.

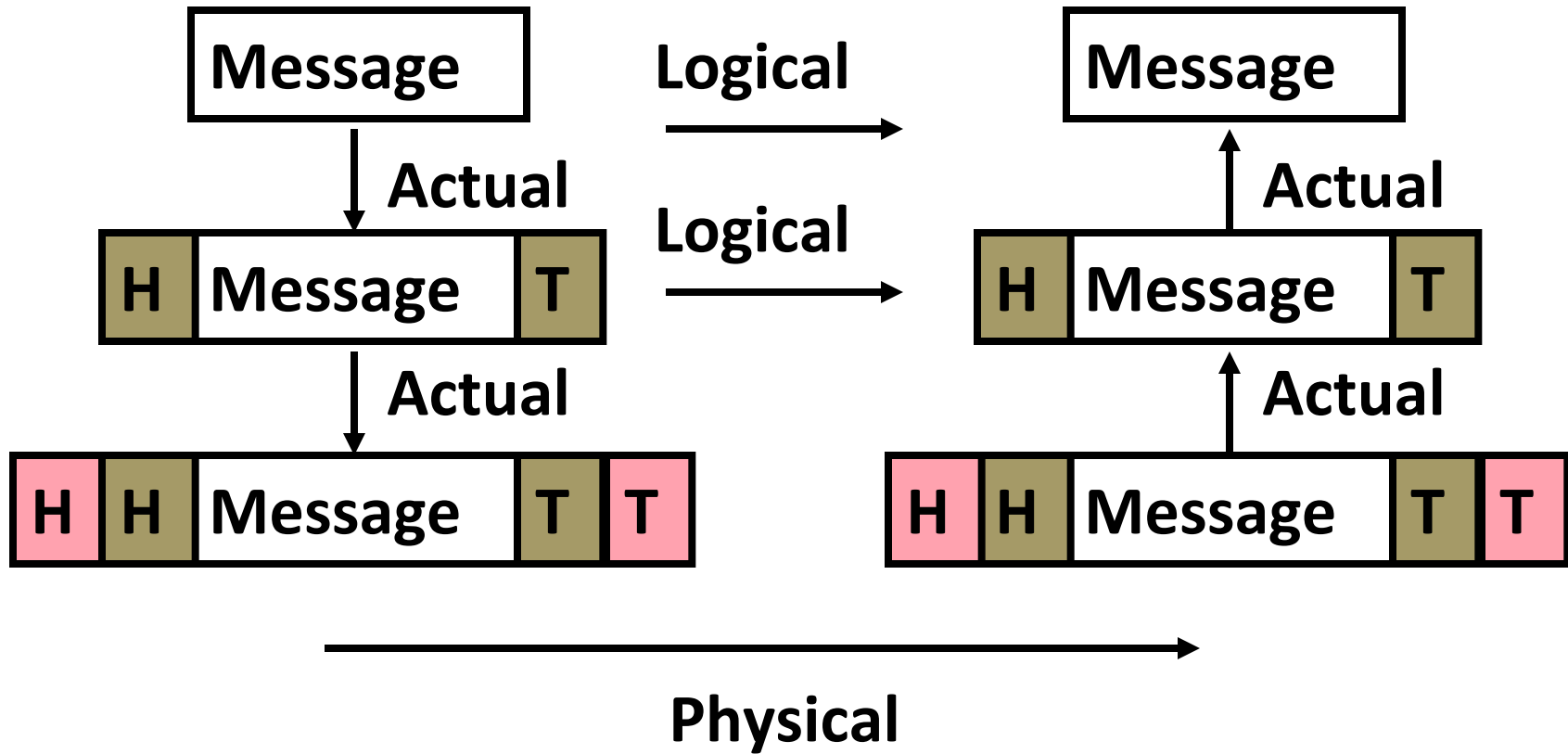
Protocol Family Concept

- Key to **protocol families** is that communication occurs **logically** at the same level of the protocol, called **peer-to-peer**...

...but is **implemented via services** at the next lower level

- **Encapsulation**: carry higher level information within lower level “envelope”
- **Fragmentation**: break packet into multiple smaller packets and reassemble

Protocol Family Concept



Protocol for Network of Networks

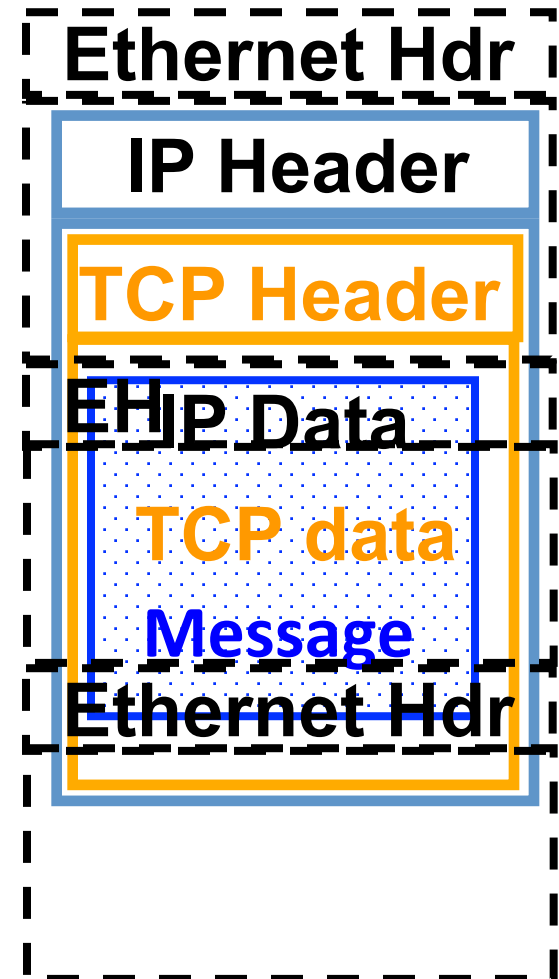
- Transmission Control Protocol/Internet Protocol (TCP/IP)

(TCP :: a Transport Layer)

- This protocol family is the **basis of the Internet**, a WAN protocol
- IP makes best effort to deliver
 - Packets can be lost, corrupted
- TCP guarantees delivery
- TCP/IP so popular it is used even when communicating locally: even across homogeneous LAN

TCP/IP packet, Ethernet packet, protocols

- Application sends message
- TCP breaks into 64KiB segments, adds 20B header
- IP adds 20B header, sends to network
- If Ethernet, broken into 1500B packets with headers, trailers (24B)



And in conclusion...

- Exceptions are “Unexpected” events
- Interrupts are asynchronous
 - can be used for interacting with I/O devices
- Need to handle in presence of pipelining, etc.

- Networks are another form of I/O

- Protocol suites allow networking of heterogeneous components
 - Another form of principle of abstraction

- Interested in Networking?
 - EE122 (CS-based in Fall, EE –based in Spring)