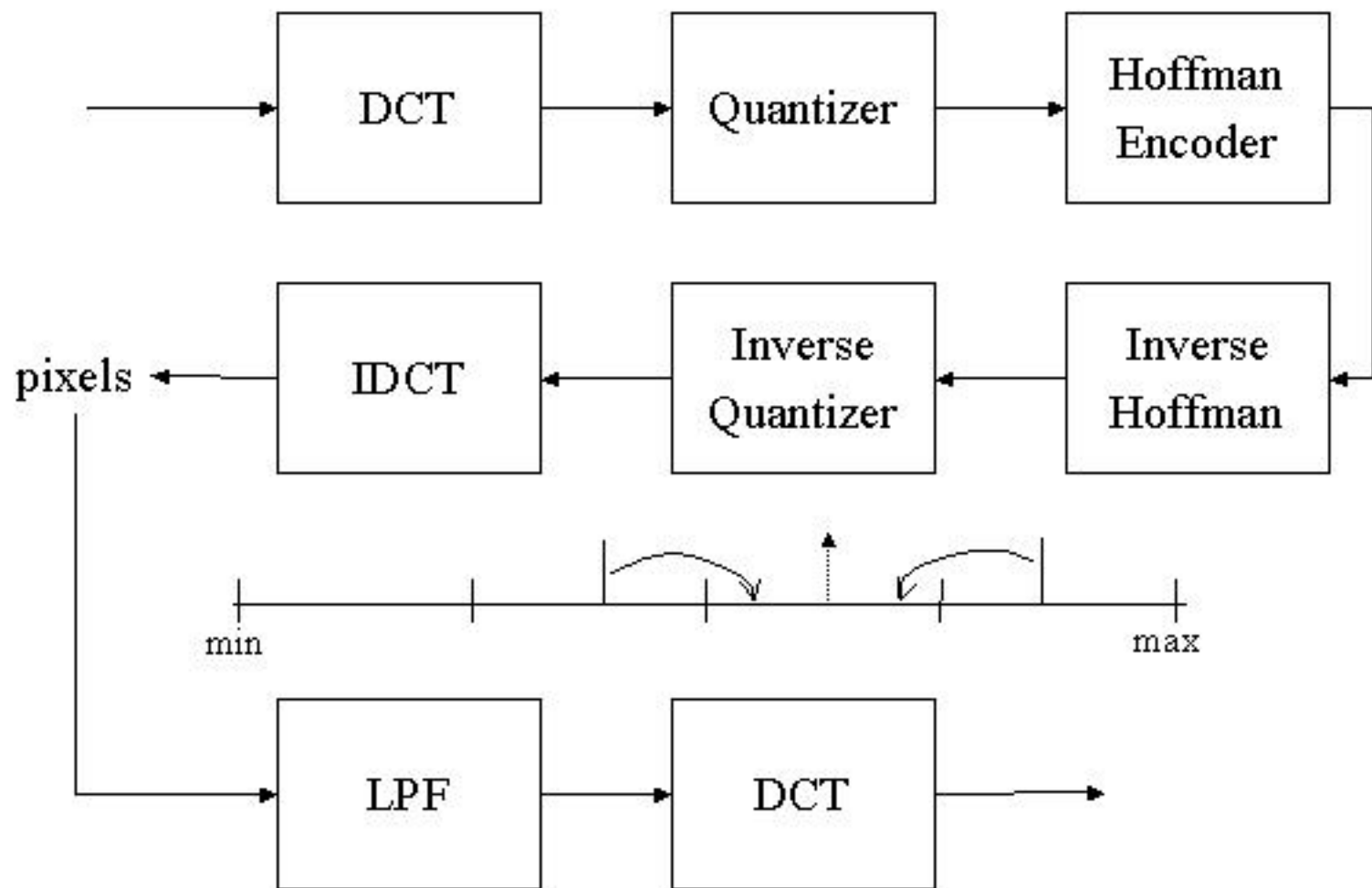
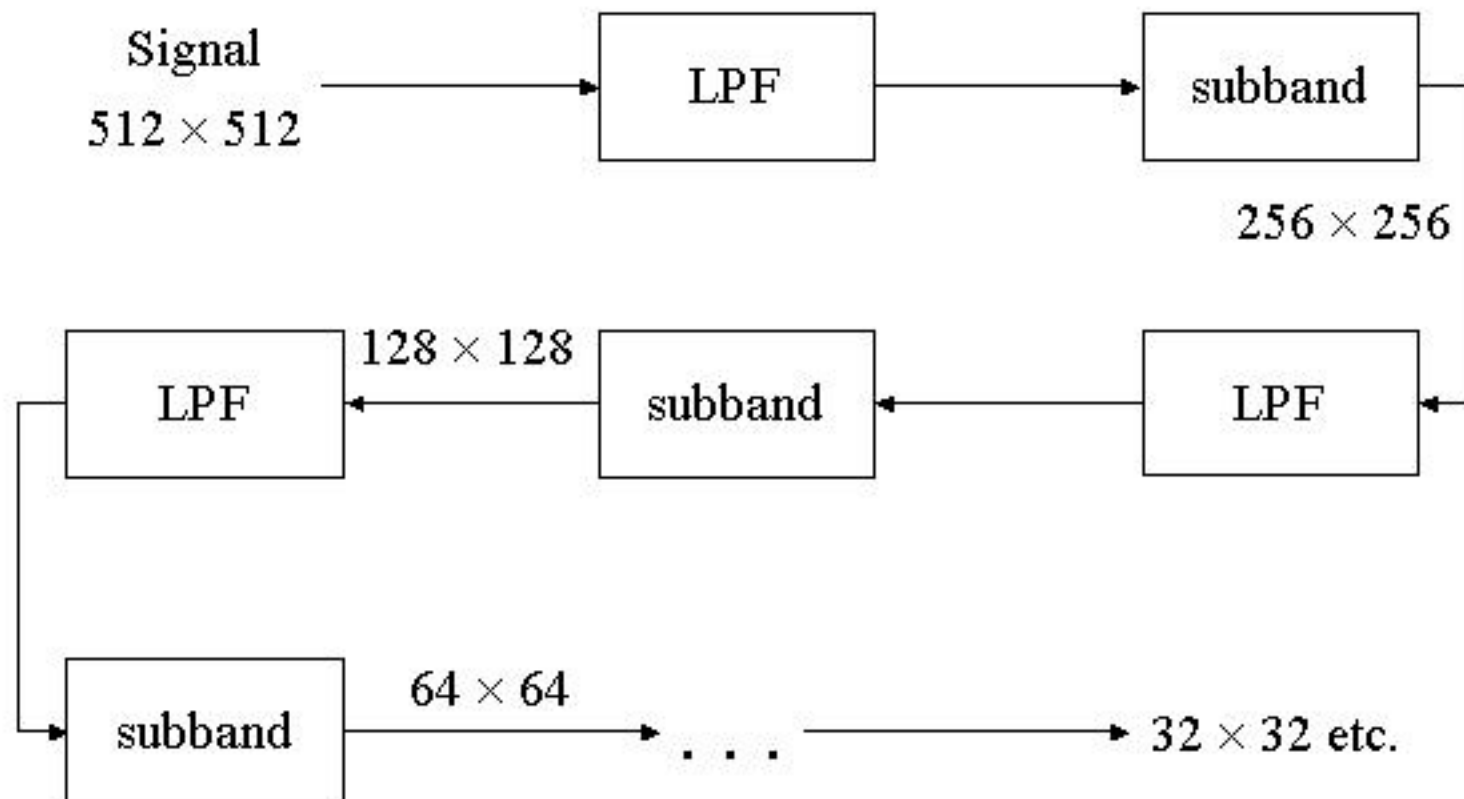


Video Coding



Pyramid Coding

- 1. Build pyramid



Pyramid Coding

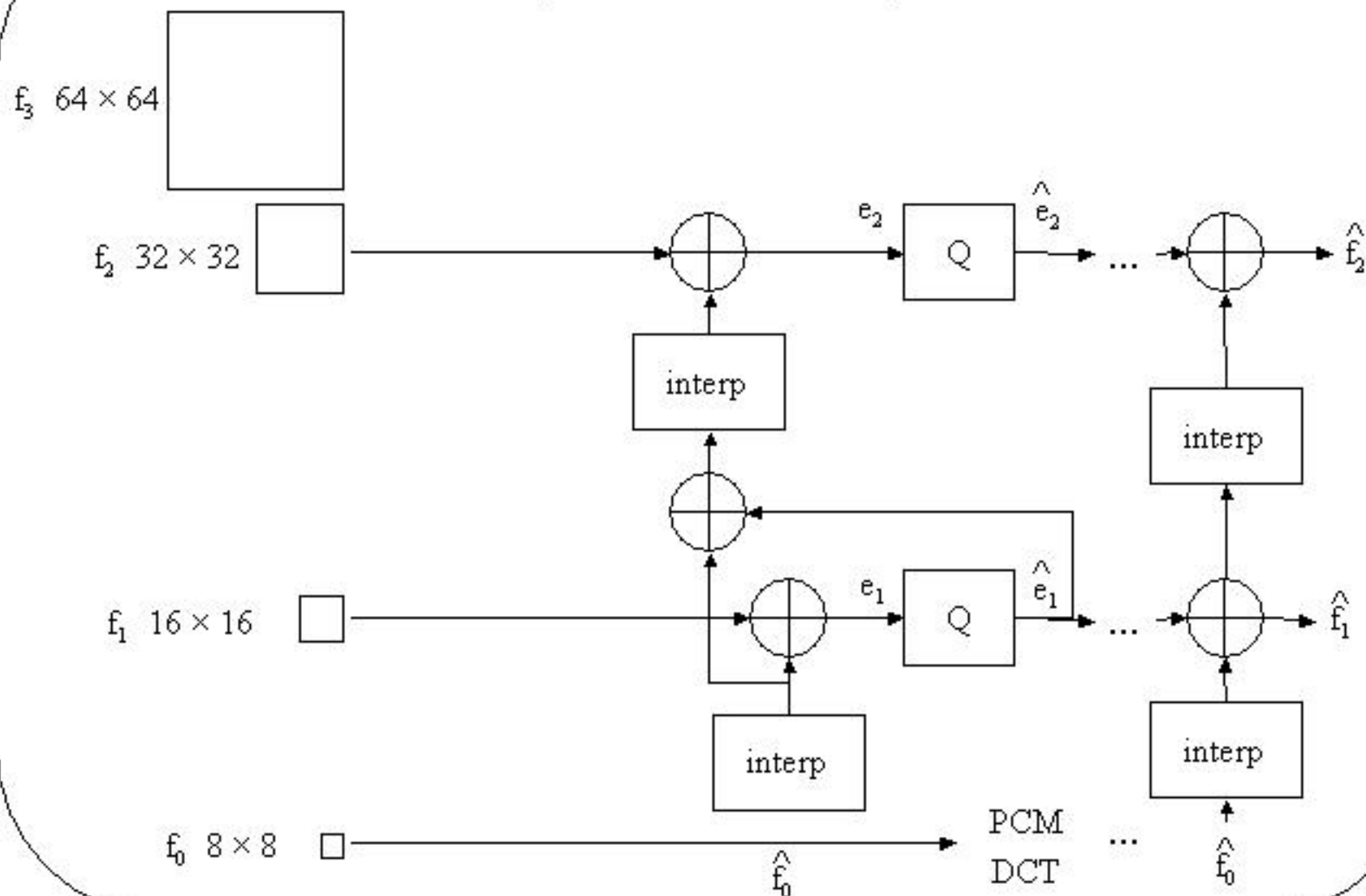
$$h(n_1, n_2) = h(n_1) h(n_2) \leftarrow \text{separable}$$

$$h(n) = \begin{cases} a & n = 0 \\ \frac{1}{4} & n = \pm 1 \\ \frac{1}{4} - \frac{a}{2} & n = \pm 2 \end{cases} \quad 0.3 \leq a \leq 0.6$$

→ Gaussian pyramid



Pyramid Coding



Pyramid Coding

