

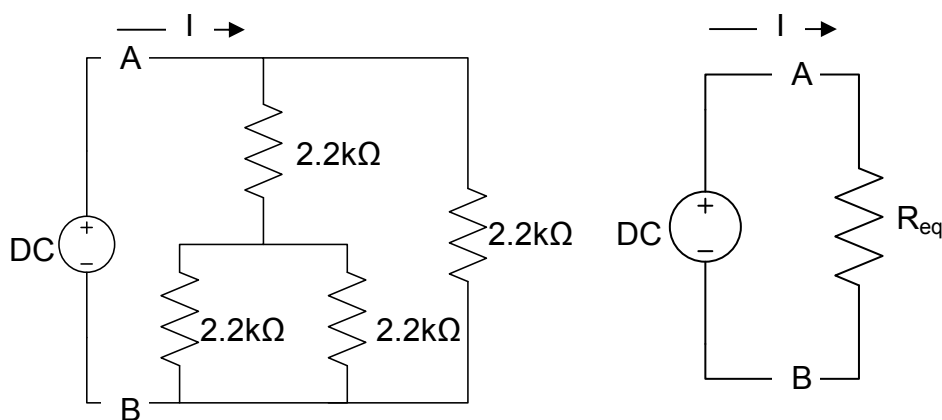
Name: _____
Student ID: _____
Section: _____
Date: _____

UNIVERSITY OF CALIFORNIA, BERKELEY
EE40: Introduction to Microelectronic Circuits

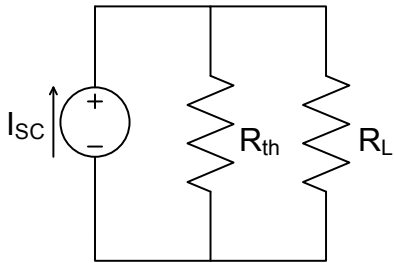
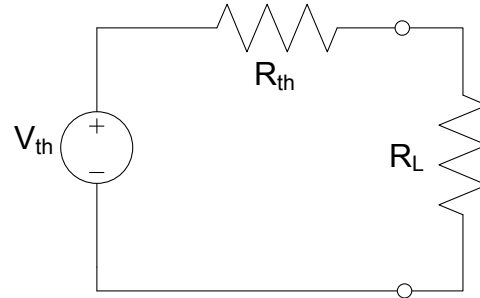
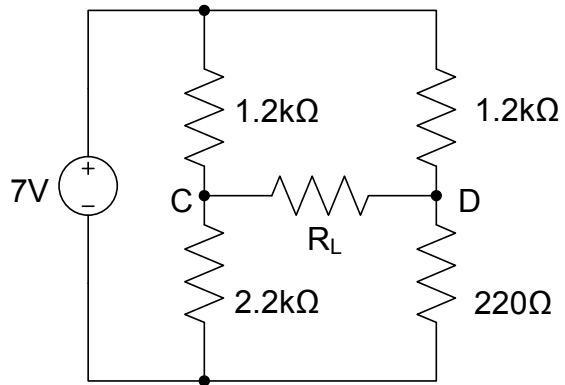
Equivalent Circuits Prelab

NOTE: Many of these theoretical values will be used in your lab. Please record your theoretical values in questions 2 and 5 of your lab report.

1) The two circuits given below are equivalent. What is R_{eq} ?



2) The three circuits given below are equivalent.



- a) What is the value of R_{TH} ?
- b) What is the value of I_{sc} ?
- c) What is the value of V_{TH} ?