

EE 40: Introduction to Microelectronic Circuits
Spring 2008: HW 8
(due 4/18, 5 pm)

Venkat Anantharam

April 11, 2008

Referenced problems from Hambley, 4th edition.

1. P10.7
2. P10.28
3. P10.36
4. P10.48
5. P10.55
6. P10.63
7. P10.71
8. P10.74
9. Consider the circuit in Fig 1. The op-amp's power supplies of $\pm V$ volts limit the range of the output voltage. Note that this circuit has positive feedback. Assuming the circuit has been operating for a long time, sketch the voltages $v_A(t)$ and $v_B(t)$ as functions of time.
10. P14.68

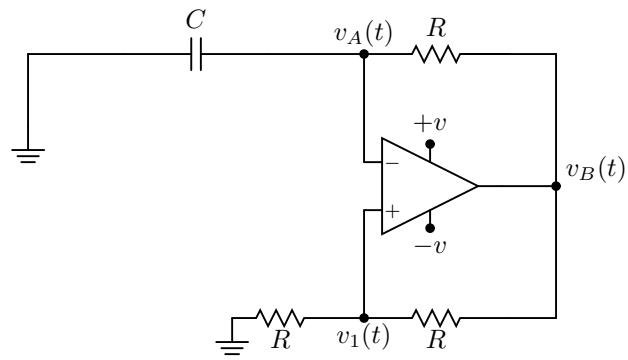


Figure 1: Circuit 1