

Op-Amp Prelab

Name: _____

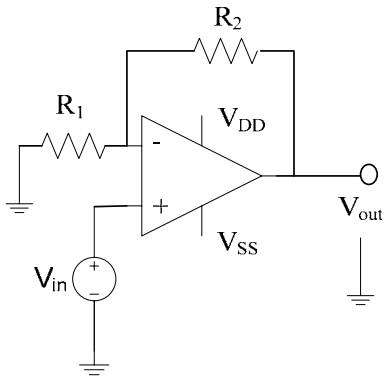
TA: _____

Session: _____

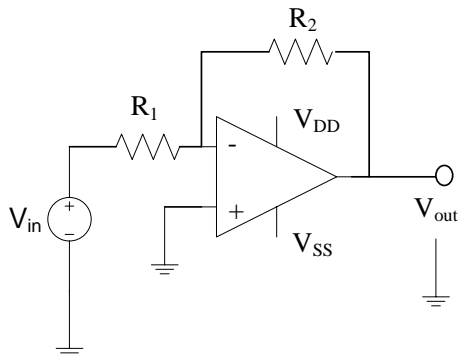
- For the Op-Amp we are going to use LMC 6482, which pin is V_{DD} (V^+) and which is ground (V^-)? What are the voltages we are going to use for V_{DD} and V_{SS} ?

- Derive the gain (V_{out}/V_{in}) expression in terms of R_1 and R_2 for the following amplifiers.

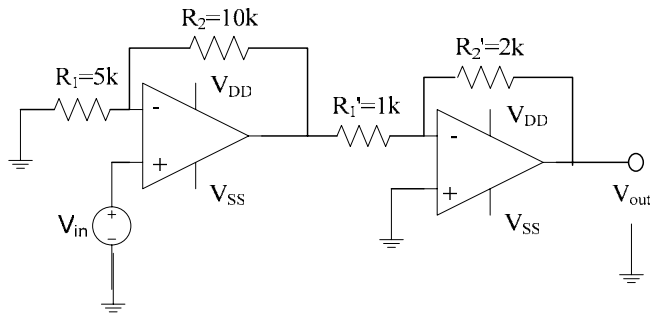
(a) Noninverting amplifier



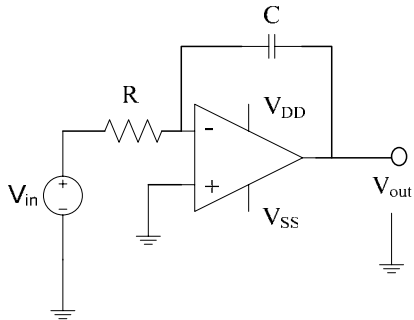
(b) Inverting amplifier



3. What is the gain of this circuit?



4. Show the relation of output and input voltage of the following circuit is integration.



5. Show the relation of output and input voltage of the following circuit is differentiation.

