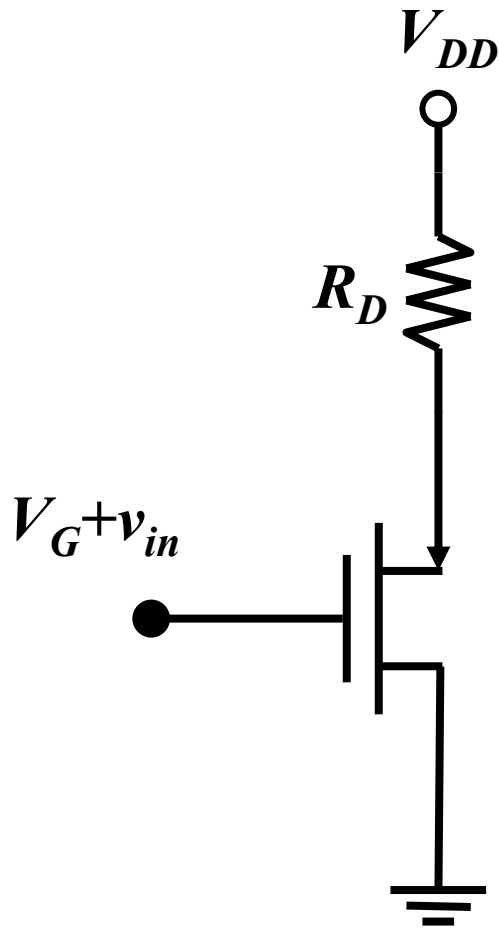
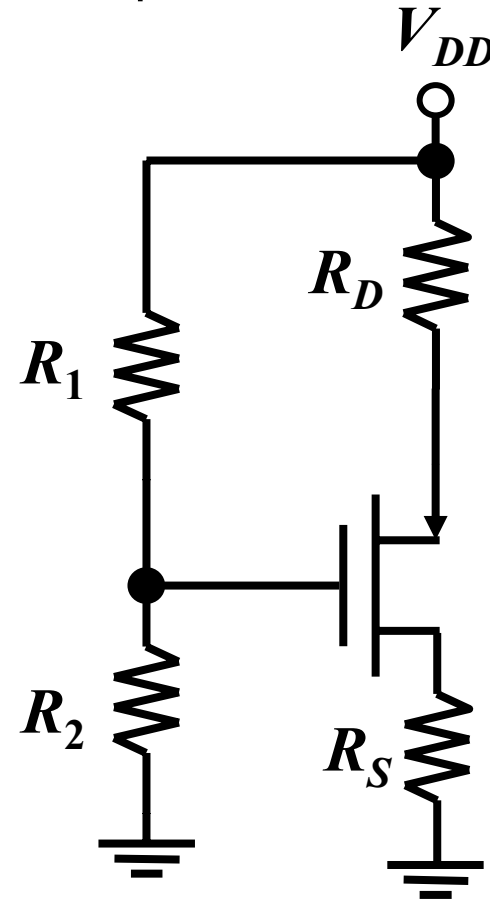


Bias Circuits

- Use load line to find Quiescent operating point.
- Remember no current flow through the gate.



Fixed-plus Self-Bias CKT



MOSFET Circuit

- First look at DC case to find Q point
 - Use load line technique
 - All capacitors are open circuit
 - From Q-point, get g_m and r_d for small signal AC model
- AC Small signal analysis
 - DC source is AC ground (because there is no AC signal variation).
 - All capacitors are short circuit (unless otherwise specified).