



EECS 151/251A

Spring 2020

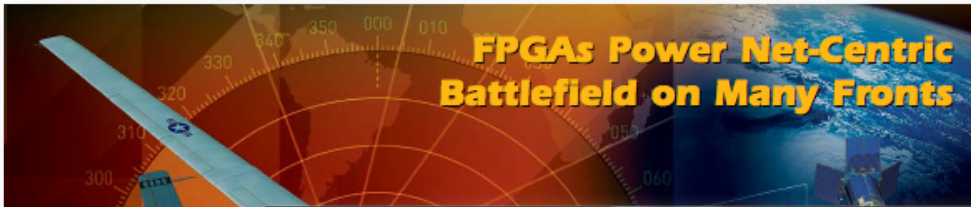
**Digital Design and Integrated
Circuits**

Instructor:

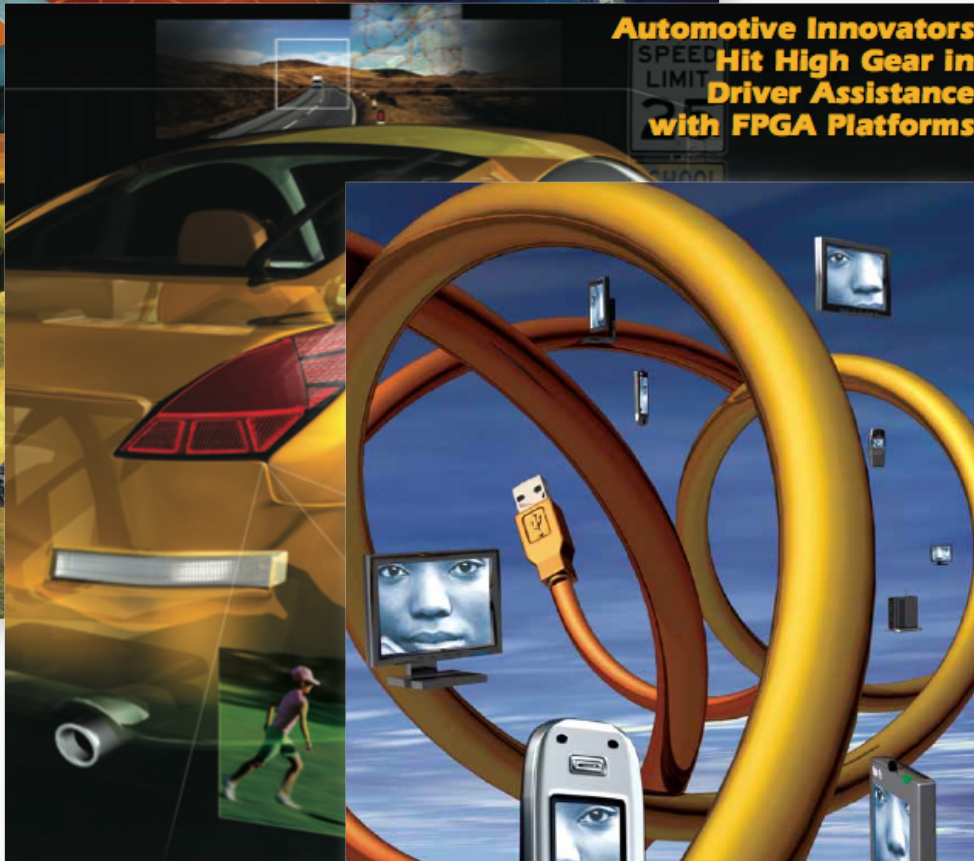
J. Wawrzynek

Lecture 5: FPGAs

FPGAs are in widespread use

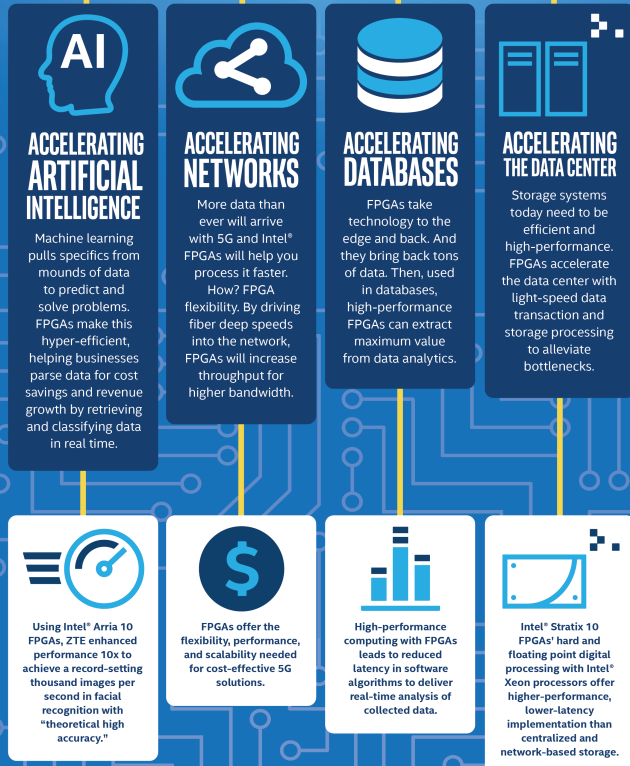


Far more different designs are implemented in FPGAs than in custom chips.



ACCELERATING THE FUTURE WITH INTEL FPGAS

Field programmable gate arrays (FPGAs) are taking computing to new heights by offering engineers the ability to program digital logic in the field on a chip many times — from anywhere. Here's what a system-level integrated circuit like an FPGA can do for you.



And in the Data-Center

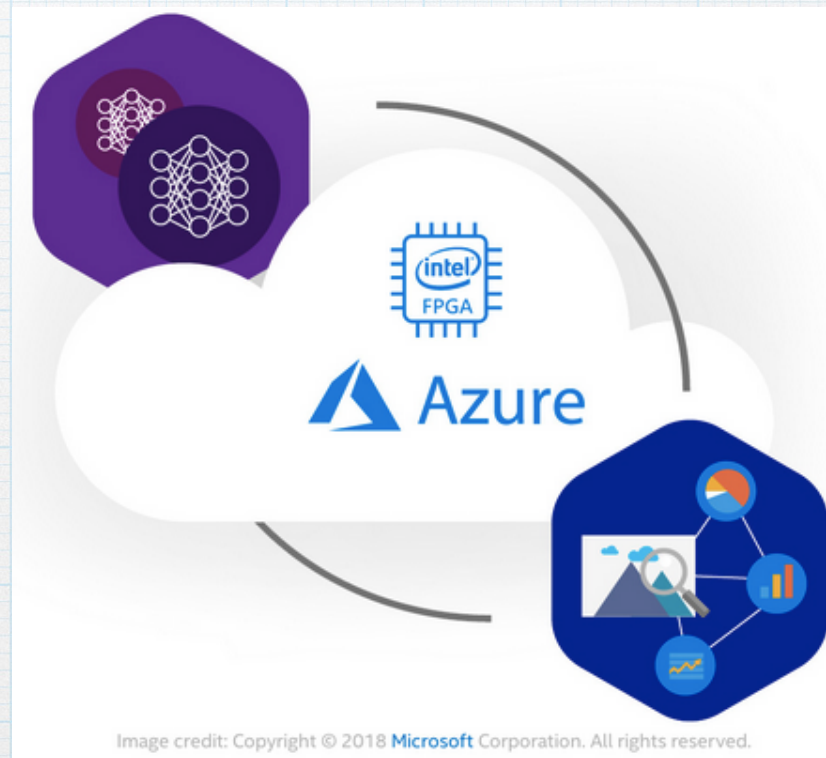
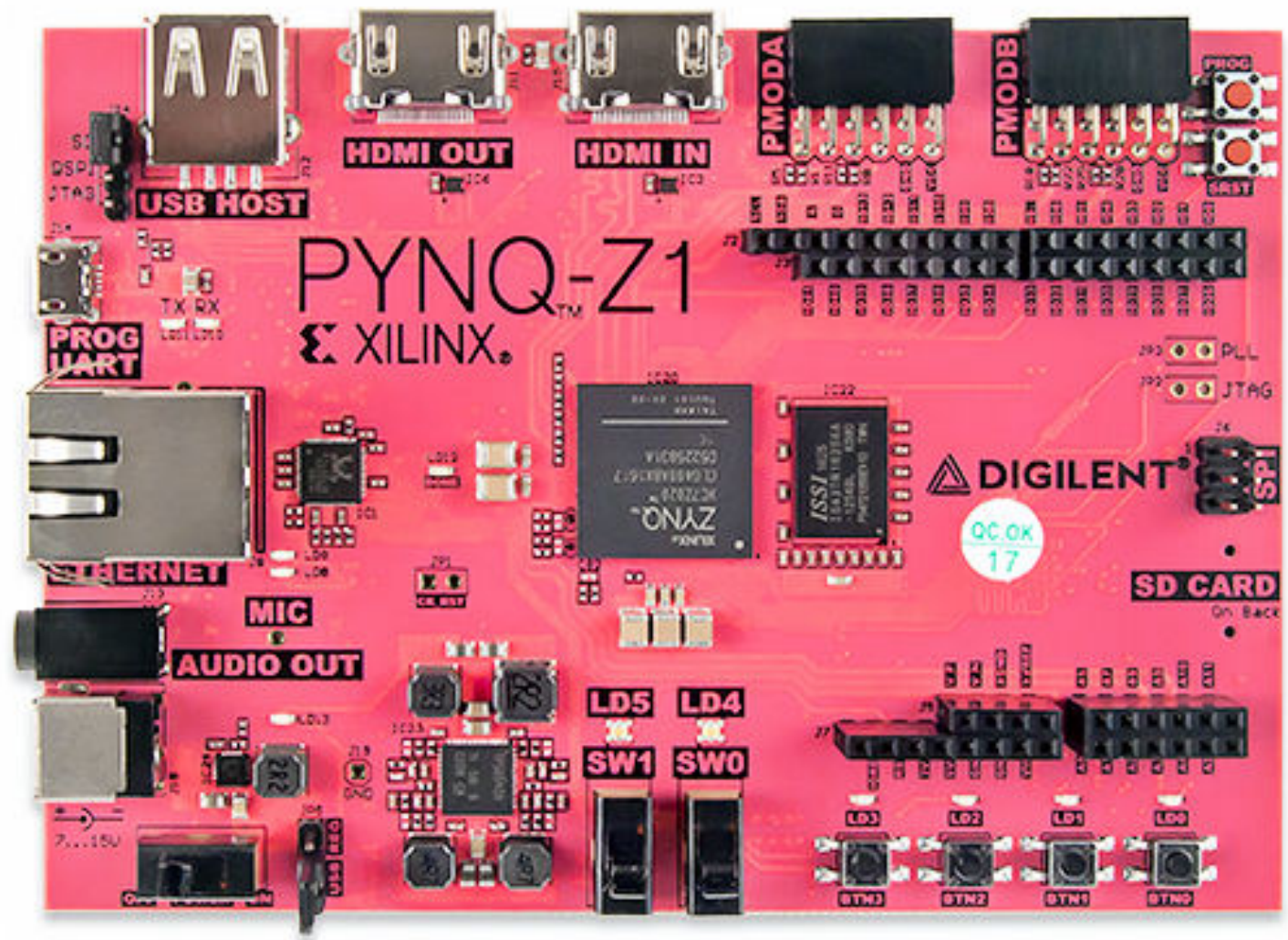


Image credit: Copyright © 2018 Microsoft Corporation. All rights reserved.

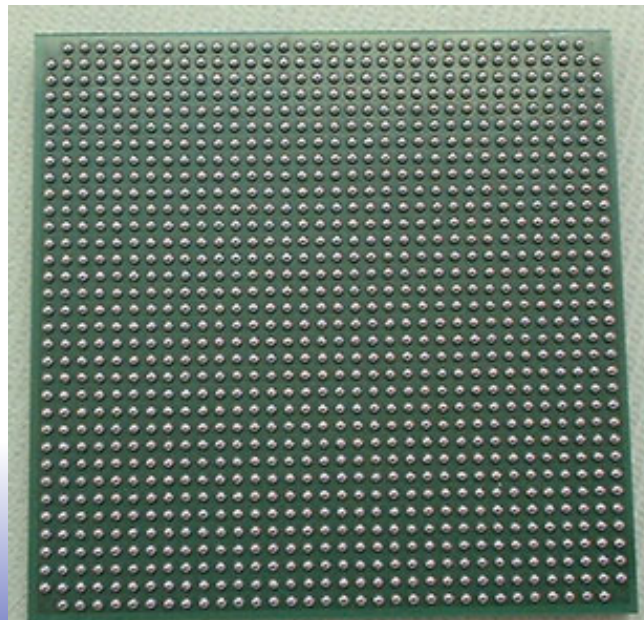
EECS151 FPGA Lab Board



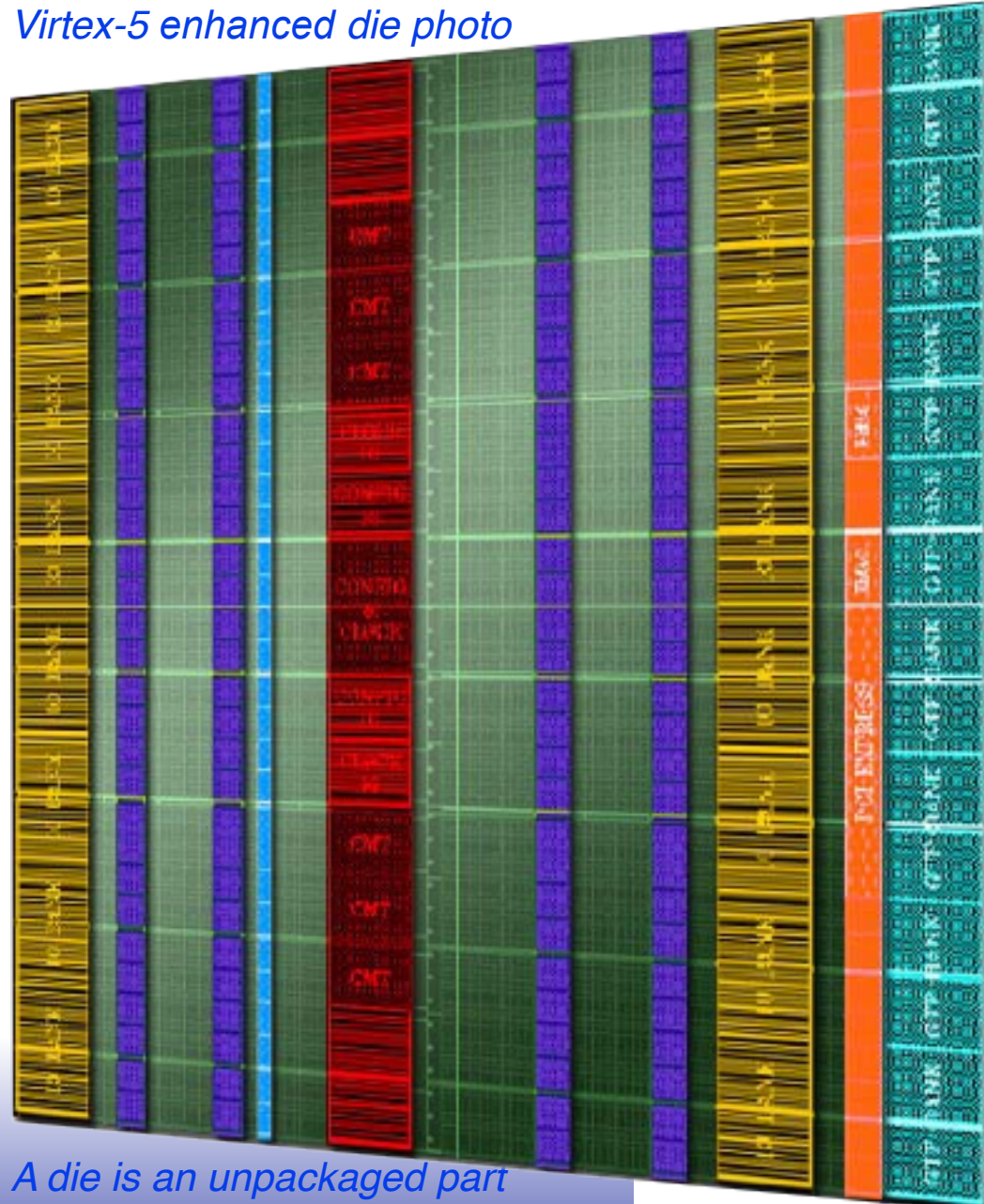
FPGA: Xilinx Virtex-5 XC5VLX110T



Virtex-5 enhanced die photo

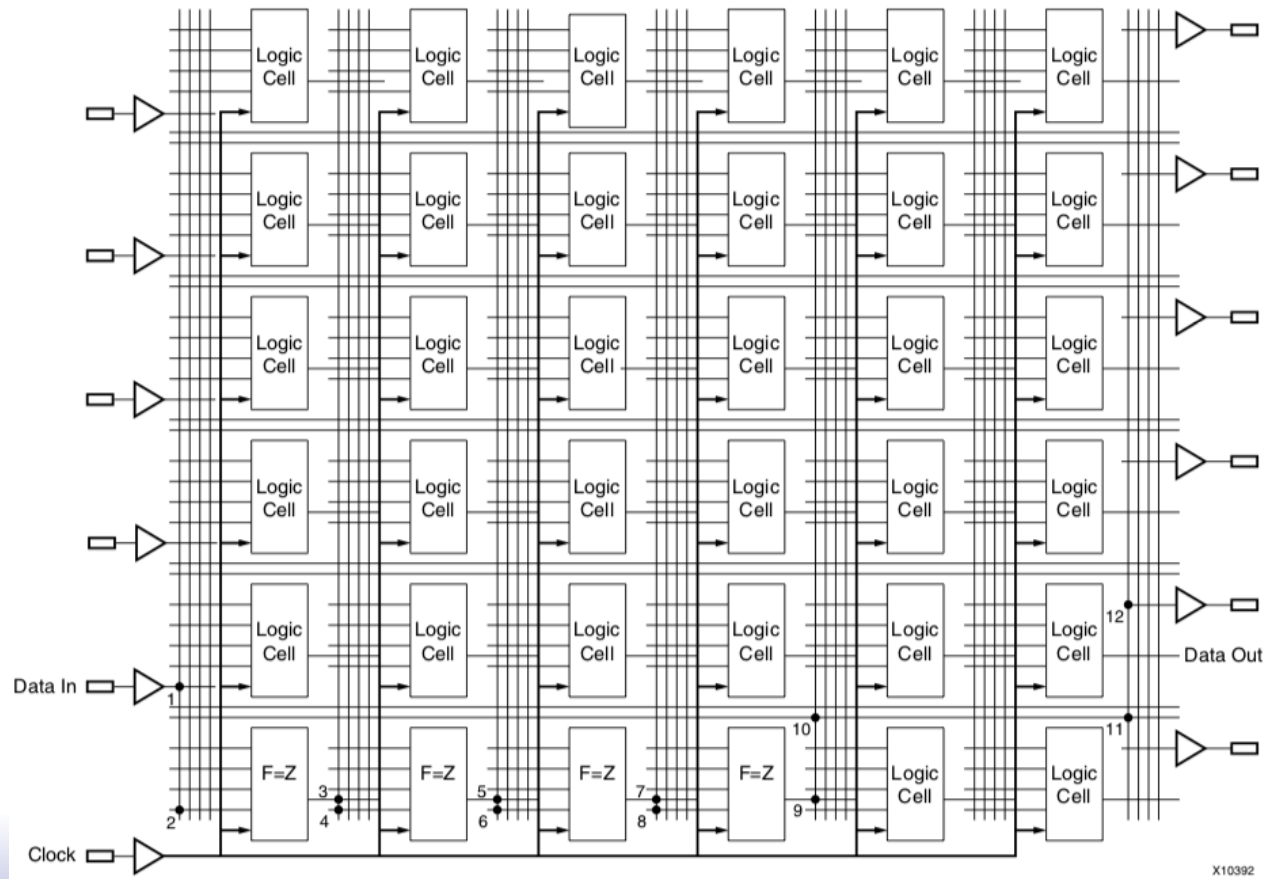


A die is an unpackaged part



FPGA Overview

- Basic structure: two-dimensional array of logic blocks and flip-flops with a means for the user to configure (program):
 - the interconnection between the logic blocks,
 - the function of each block.



Simplified version of FPGA internal architecture

Why are FPGAs Interesting?

□ Technical viewpoint:

- For hardware/system-designers, like ASICs - only better: “Tape-out” new design every few minutes/hours.
- “reconfigurability” or “reprogrammability” may offer other advantages over fixed logic?
 - In-field reprogramming? Dynamic reconfiguration? Self-modifying hardware, evolvable hardware?

Of course, the relative flexibility comes at the expense of larger die area, slower circuits, and more energy per operation.

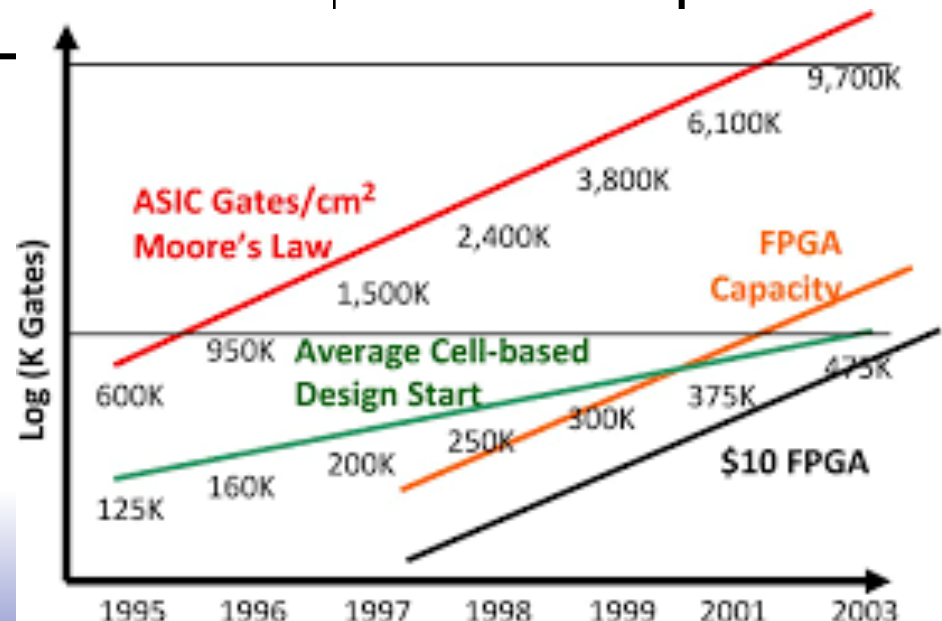
Why are FPGAs Interesting?

- Staggering logic capacity growth (10000x):



Year Introduced	Device	Logic Cells	“logic gate equivalents”
1985	XC2064	128	1024
2011	XC7V2000T	1,954,560	15,636,480

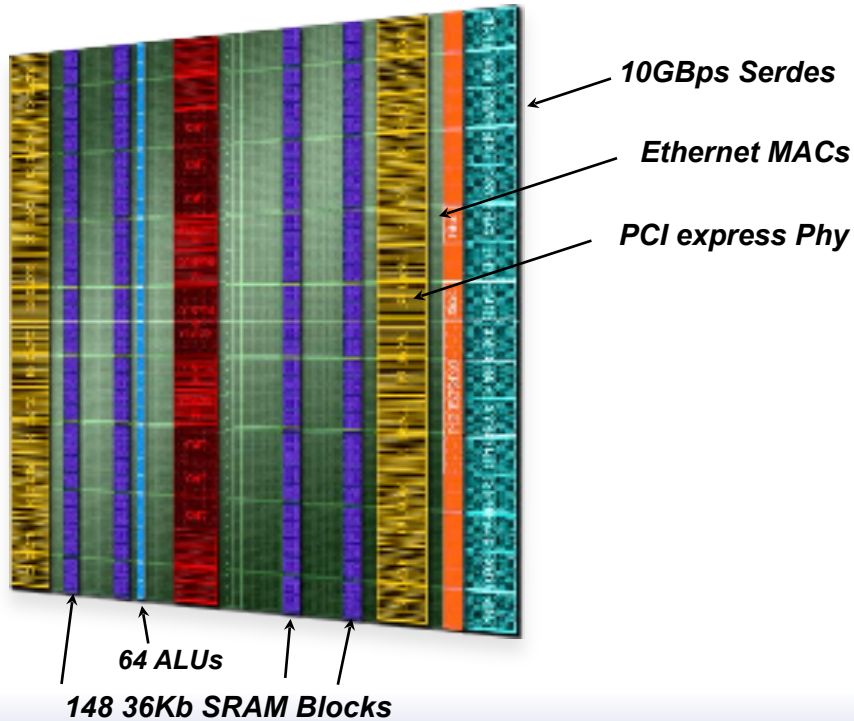
- FPGAs have tracked Moore’s Law better than any other programmable device.



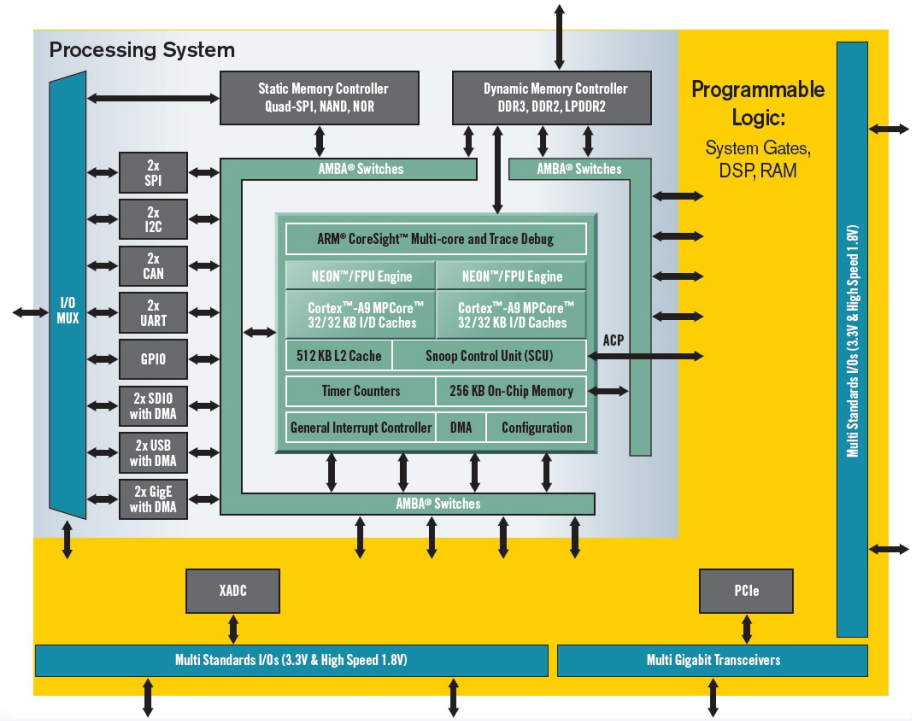
Why are FPGAs Interesting?

- Logic capacity now only part of the story: on-chip RAM, high-speed I/Os, “hard” function blocks, ...
- Modern FPGAs are “reconfigurable systems on a chip”

Xilinx Virtex-5 LX110T

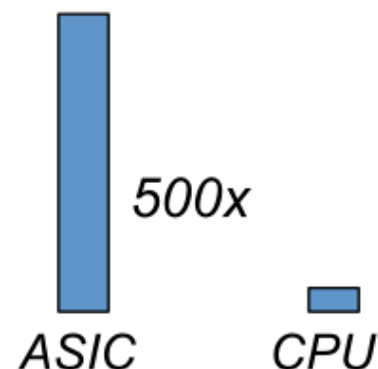


Xilinx ZYNQ - embedded ARM cores

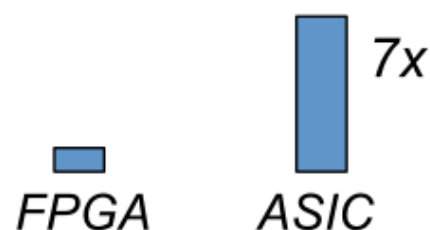


Energy Efficiency of CPU versus ASIC versus FPGA

Rehan Hameed, Wajahat Qadeer, Megan Wachs, Omid Azizi, Alex Solomatnikov, Benjamin C. Lee, Stephen Richardson, Christos Kozyrakis, and Mark Horowitz. Understanding sources of inefficiency in general-purpose chips. SIGARCH Comput. Archit. News, 38:37–47, June 2010.



Ian Kuon and Jonathan Rose. Measuring the gap between fpgas and asics. In Proceedings of the 2006 ACM/SIGDA 14th international symposium on Field programmable gate arrays, FPGA '06, pages 21–30, New York, NY, USA, 2006. ACM



$$\therefore \text{FPGA} : \text{CPU} = 70x$$

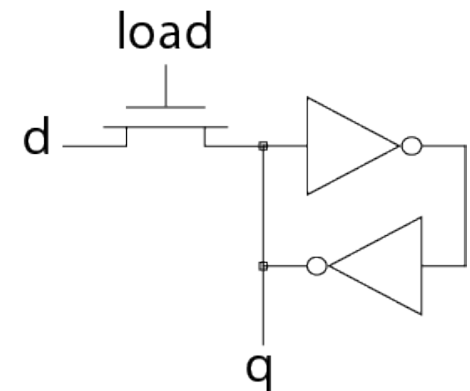
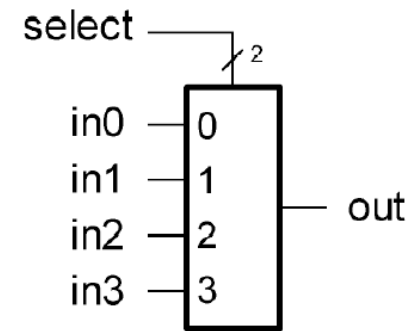
Similar story for performance efficiency



FPGA Internals

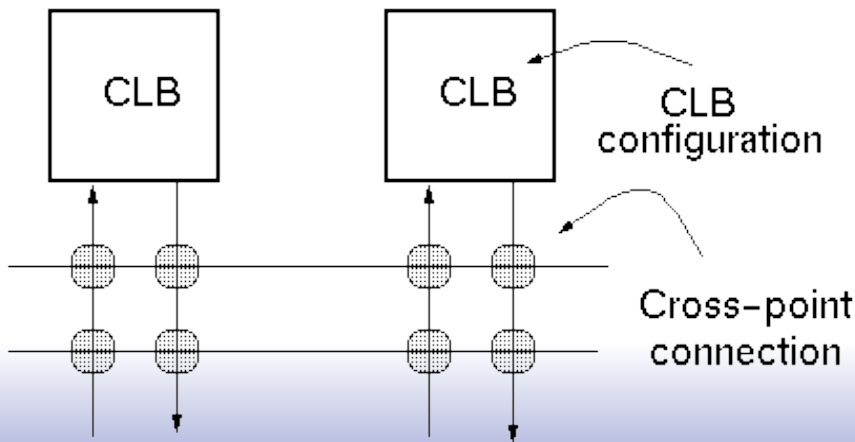
Background for upcoming technical details

- A MUX or multiplexor is a combinational logic circuit that chooses between 2^N inputs under the control of N control signals.
- A latch is a 1-bit memory (similar to a SRAM storage cell).



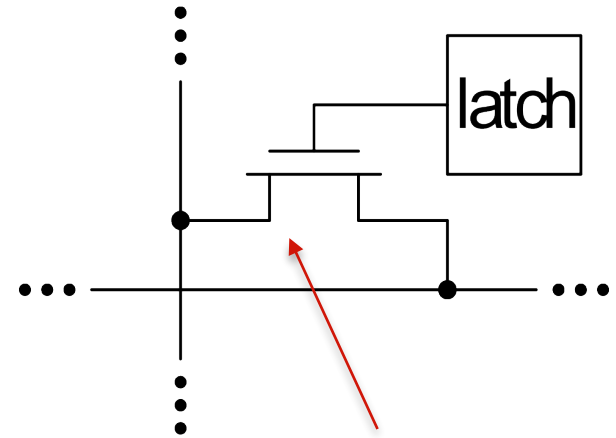
FPGA Programmability

- FPGA programmability allows users to:
 1. define function of configurable logic blocks (CLBs),
 2. establish interconnection paths between CLBs
 3. set other options, such as clock, reset connections, and I/O.
- Most FPGAs have “**SRAM based**” programmability.



Programmable Cross-points

- Latch-based (Xilinx, Intel/Altera, ...)

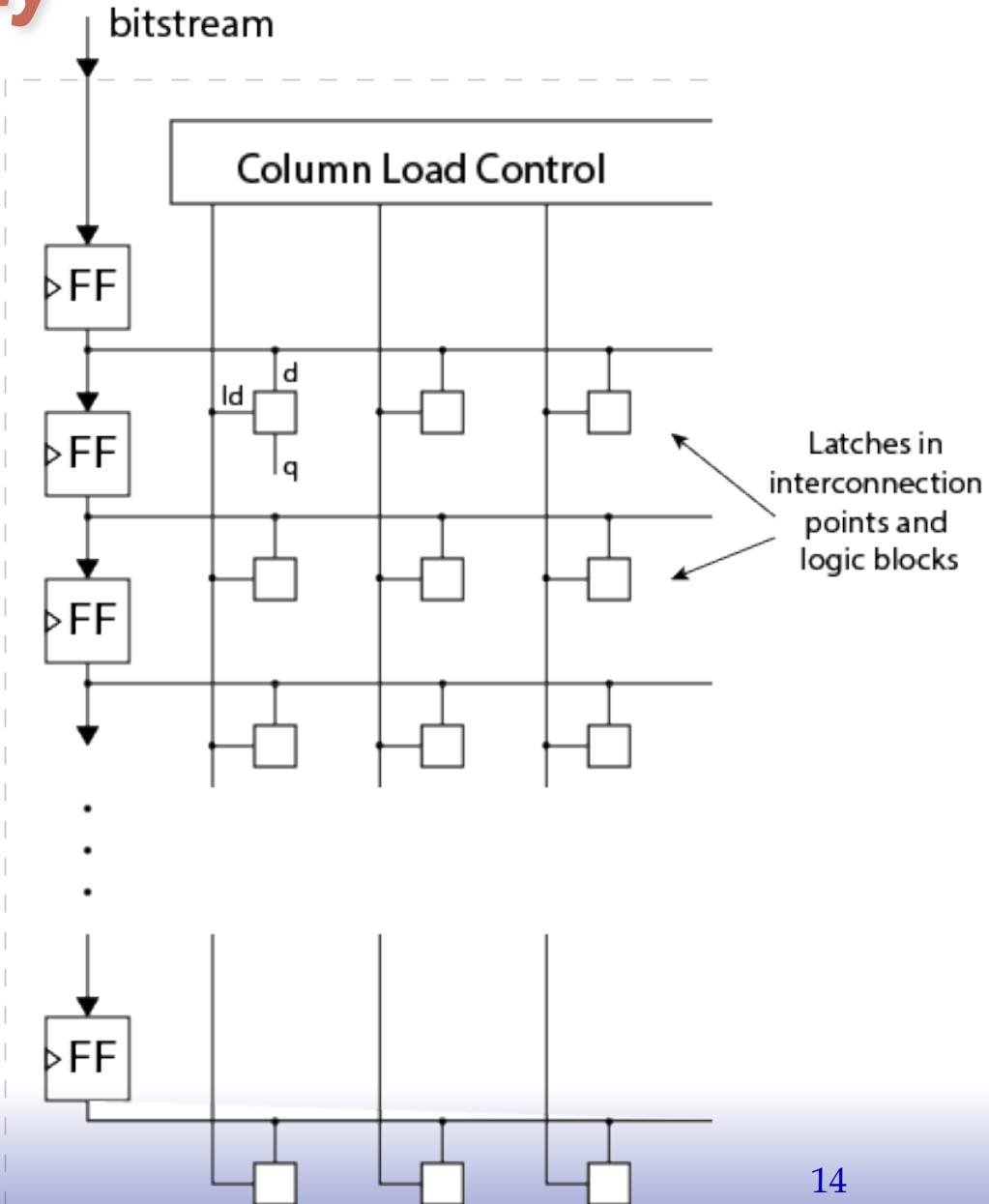


- + reconfigurable
- volatile
- relatively large.

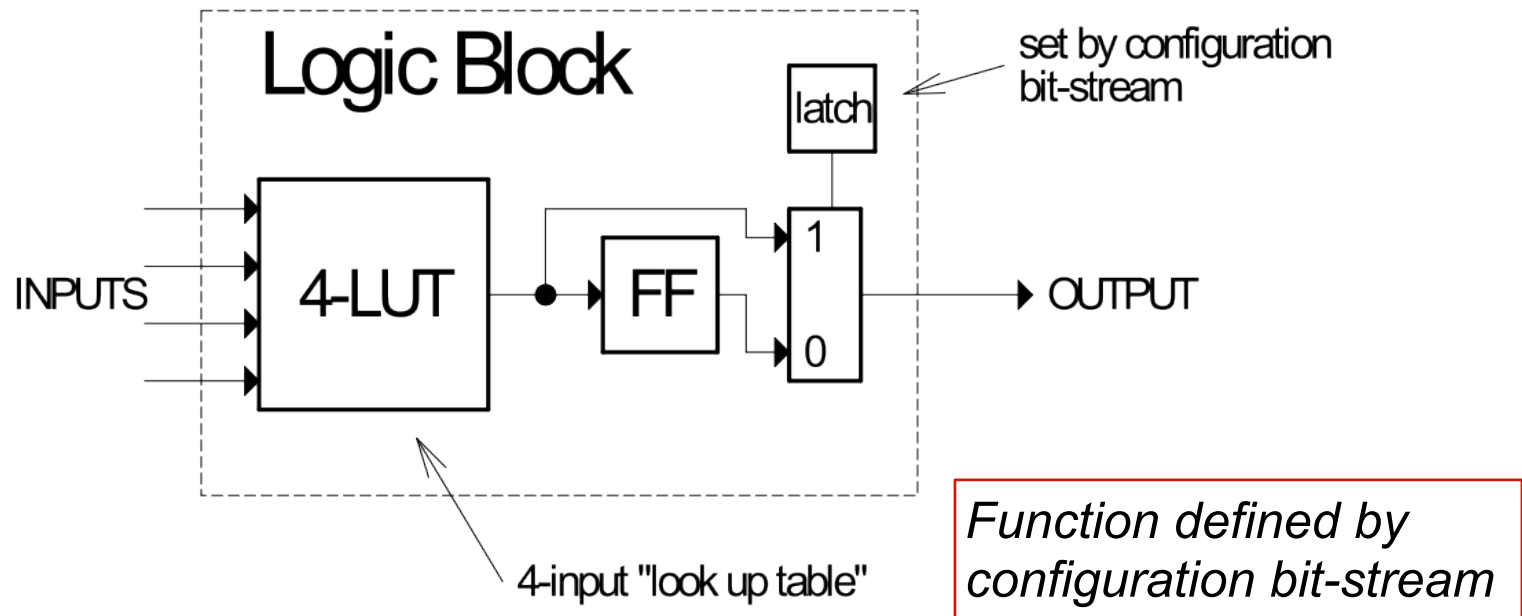
MOSFET used as a "switch"

User Programmability

- ❑ Latches store the configuration.
- ❑ Configuration *bitstream* is loaded under user control.
- ❑ “partial reconfiguration”: a selective part of the array can be reprogrammed without disturbing the other parts.
- ❑ Dynamic / runtime reconfiguration: reprogramming during a computation.
- ❑ Most commonly the entire device is programmed when the system is booted.

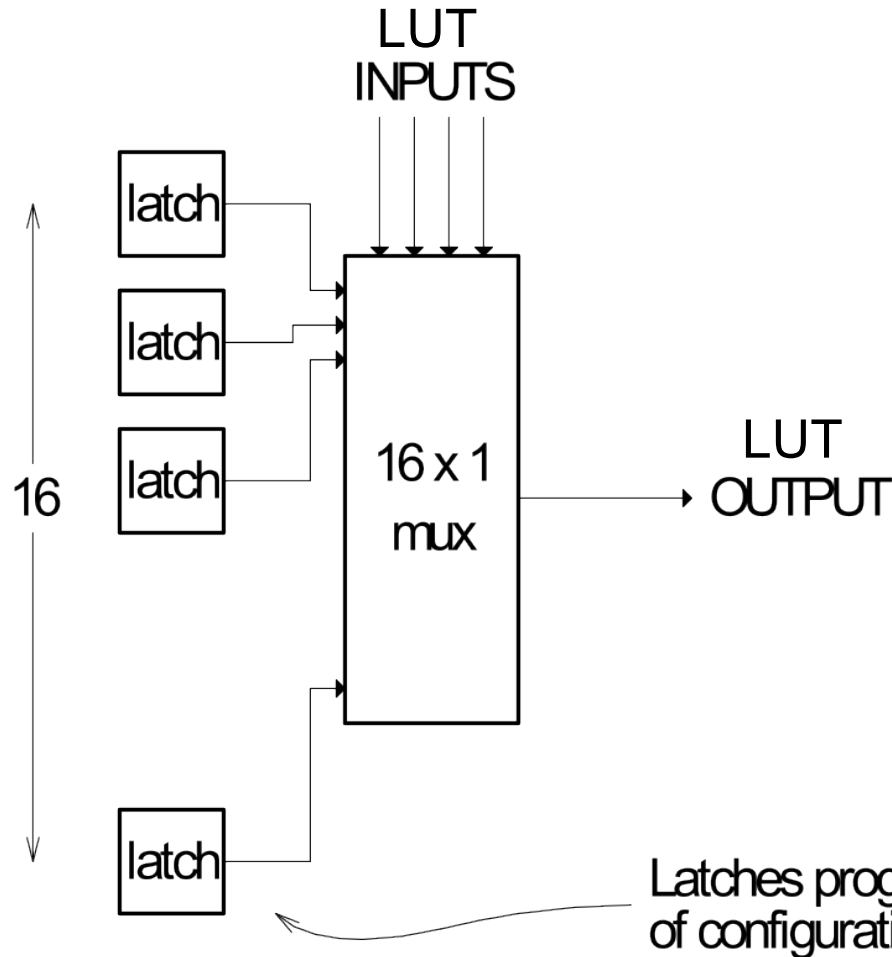


Simplified FPGA Logic Block



- ❑ Look up table (LUT)
 - implements combinational logic function
- ❑ Register (Flip-flop)
 - optionally stores output of LUT

4-LUT Implementation



- n-bit LUT is implemented as a $2^n \times 1$ memory:
 - inputs choose one of 2^n memory locations.
 - memory locations (latches) are loaded with values from user's configuration bit stream.
 - Inputs to mux control are the logic block inputs.
- Result is a general purpose "logic gate".
 - n-LUT can implement any function of n inputs!

LUT as general logic gate

- An n-lut is a direct implementation of a function truth-table.
- Each latch location holds the value of the function corresponding to one input combination.

Example: 2-input functions

INPUTS	AND	OR			
00	0	0			
01	0	1			
10	0	1	•	•	•
11	1	1			

Example: 4-lut

INPUTS		
0000	F(0,0,0,0)	← store in 1st latch
0001	F(0,0,0,1)	← store in 2nd latch
0010	F(0,0,1,0)	←
0011	F(0,0,1,1)	←
0011		
0100	•	
0101	•	
0110	•	
0111		
1000		
1001		
1010		
1011		
1100		
1101		
1110		
1111		

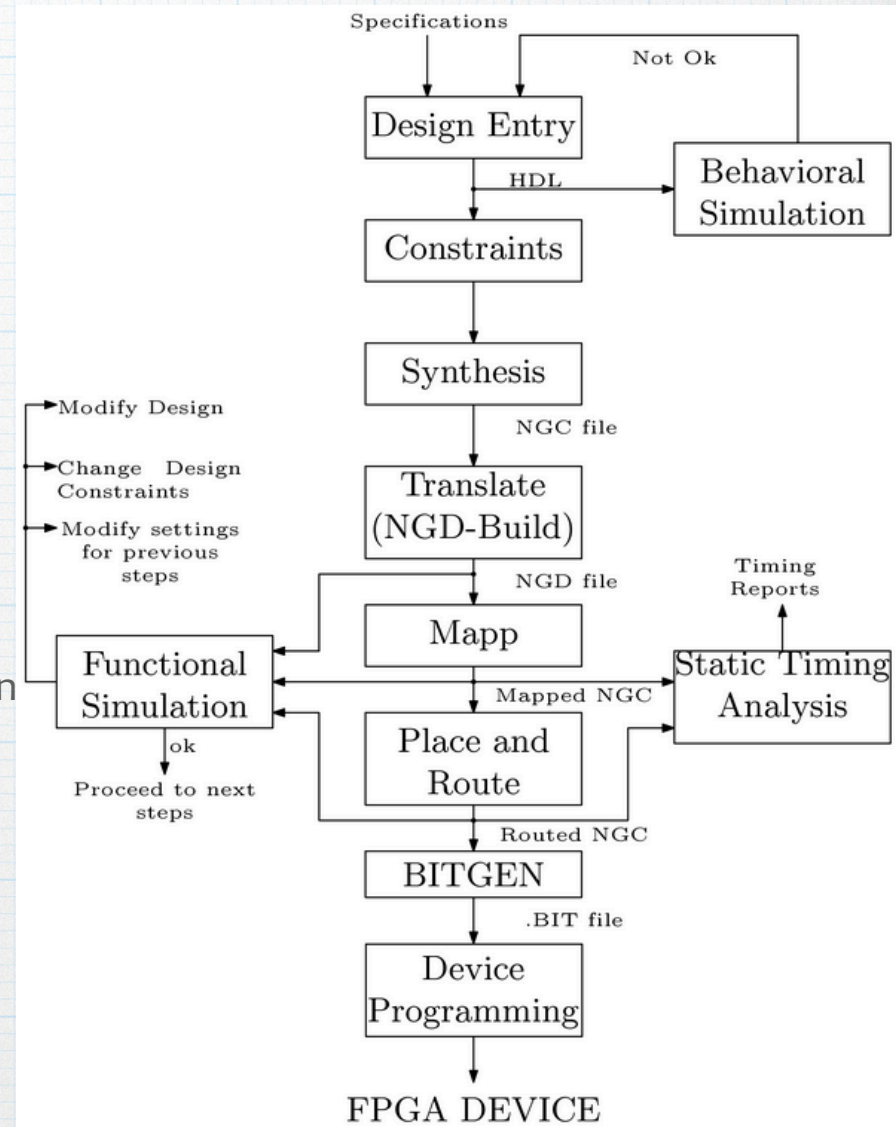
A 2-lut Implements any function of 2 inputs.

How many of these are there?

How many functions of n inputs?

FPGA Generic Design Flow

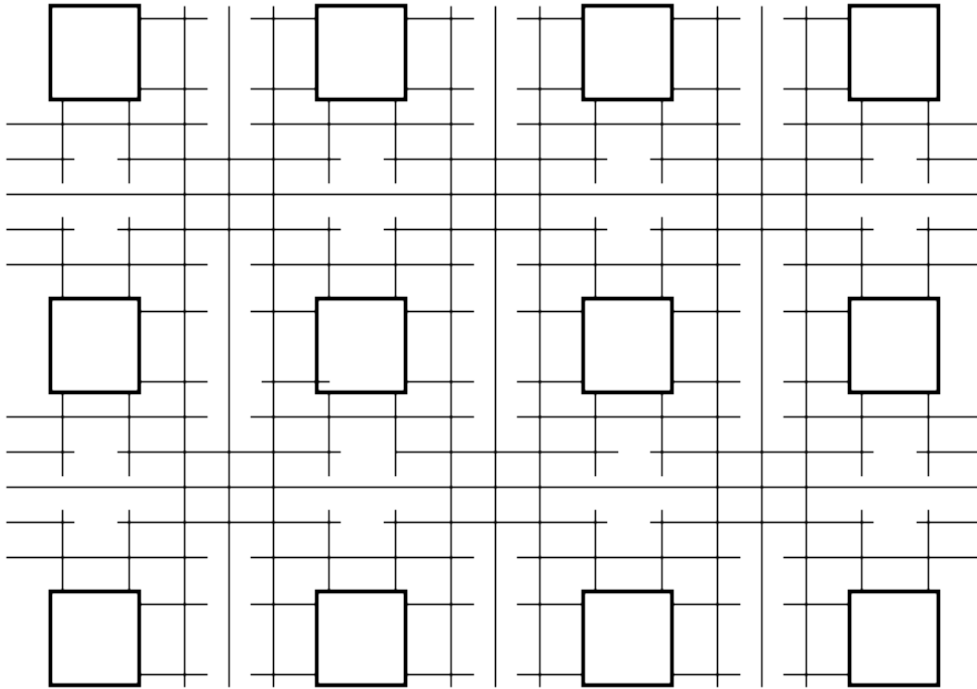
- ▶ Design Entry:
 - ▶ HDL (hardware description languages: Verilog, VHDL)
- ▶ Design Implementation:
 - ▶ Logic synthesis (in case of using HDL entry) followed by,
 - ▶ Partition, place, and route to create configuration bit-stream file
- ▶ Design verification:
 - ▶ Optionally use simulator to check function
 - ▶ Load design onto FPGA device (cable connects PC to development board), optional “logic scope” on FPGA
 - ▶ check operation at full speed in real environment.



<https://digitalsystemdesign.in/fpga-implementation-step-by-step/>

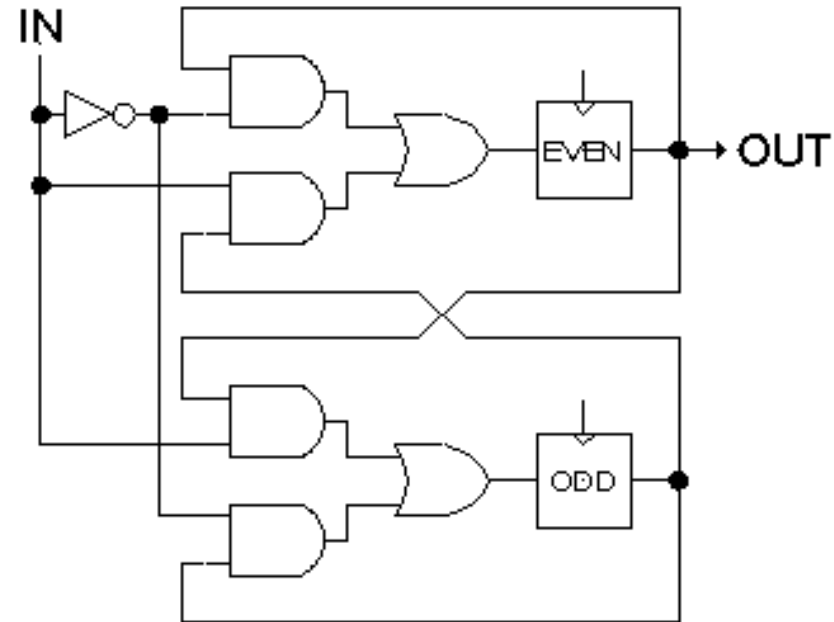
Example Partition, Placement, and Route

- Simplified FPGA structure:



- Example Circuit:

- collection of gates and flip-flops



Circuit combinational logic must be “covered” by 4-input 1-output LUTs.

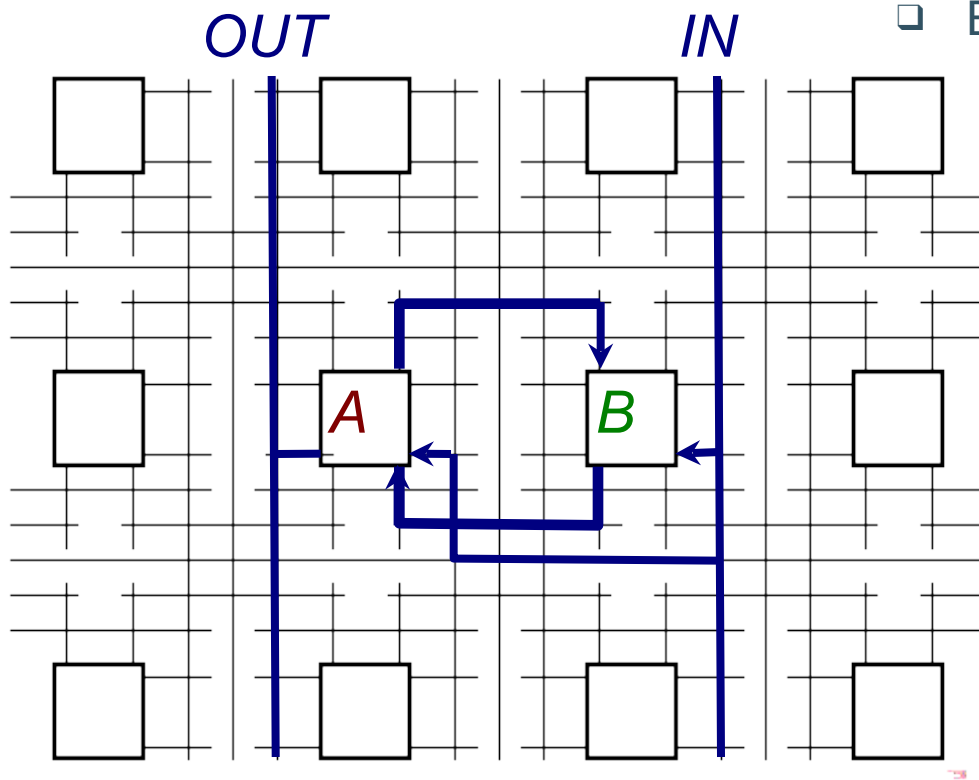
Flip-flops from circuit must map to FPGA flip-flops.

(Best to preserve “closeness” to CL to minimize wiring.)

Best placement in general attempts to minimize wiring.

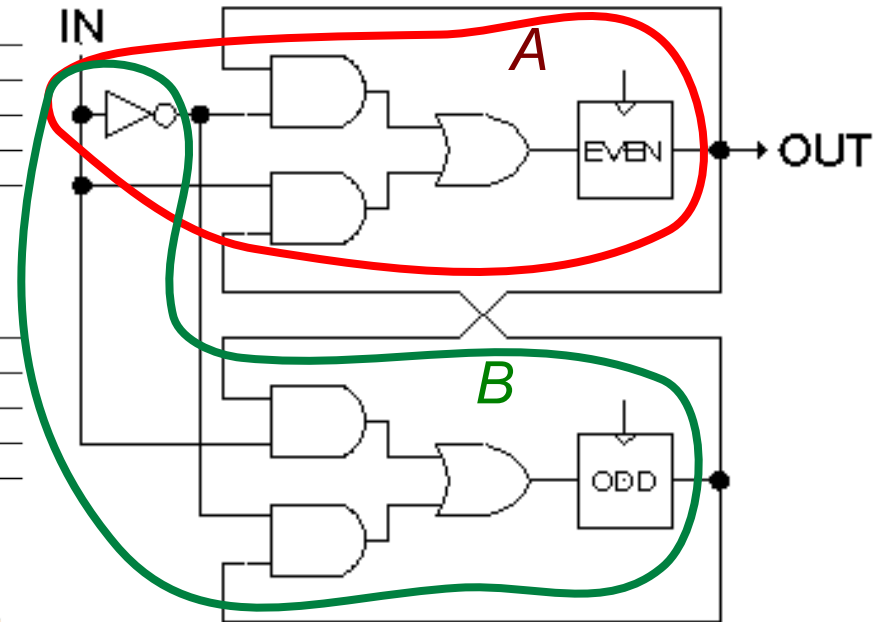
V_{dd}, GND, clock, and global resets are all “prewired”.

Example Partition, Placement, and Route



Example Circuit:

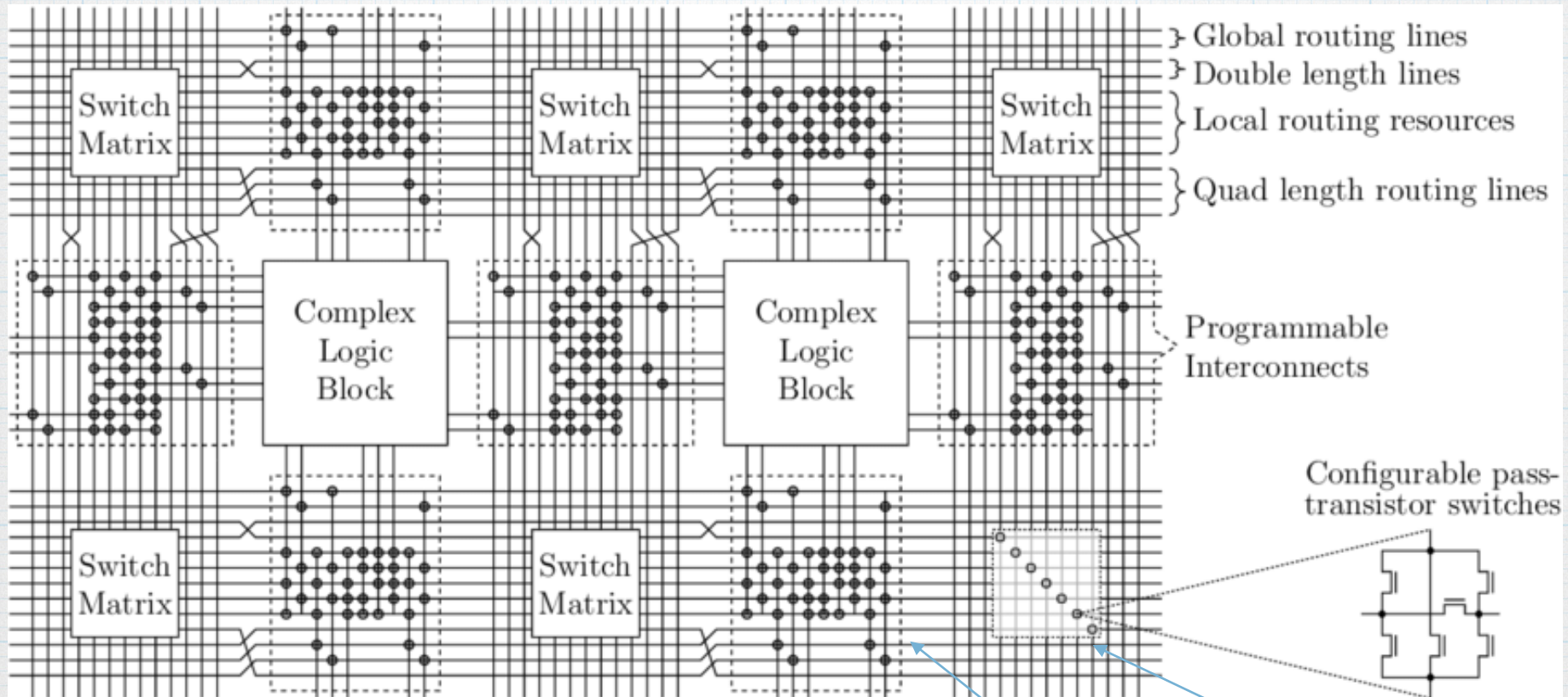
- collection of gates and flip-flops



Two partitions. Each has single output, no more than 4 inputs, and no more than 1 flip-flop. In this case, inverter goes in both partitions.

Note: the partition can be arbitrarily large as long as it has not more than 4 inputs and 1 output, and no more than 1 flip-flop.

Configurable Interconnect



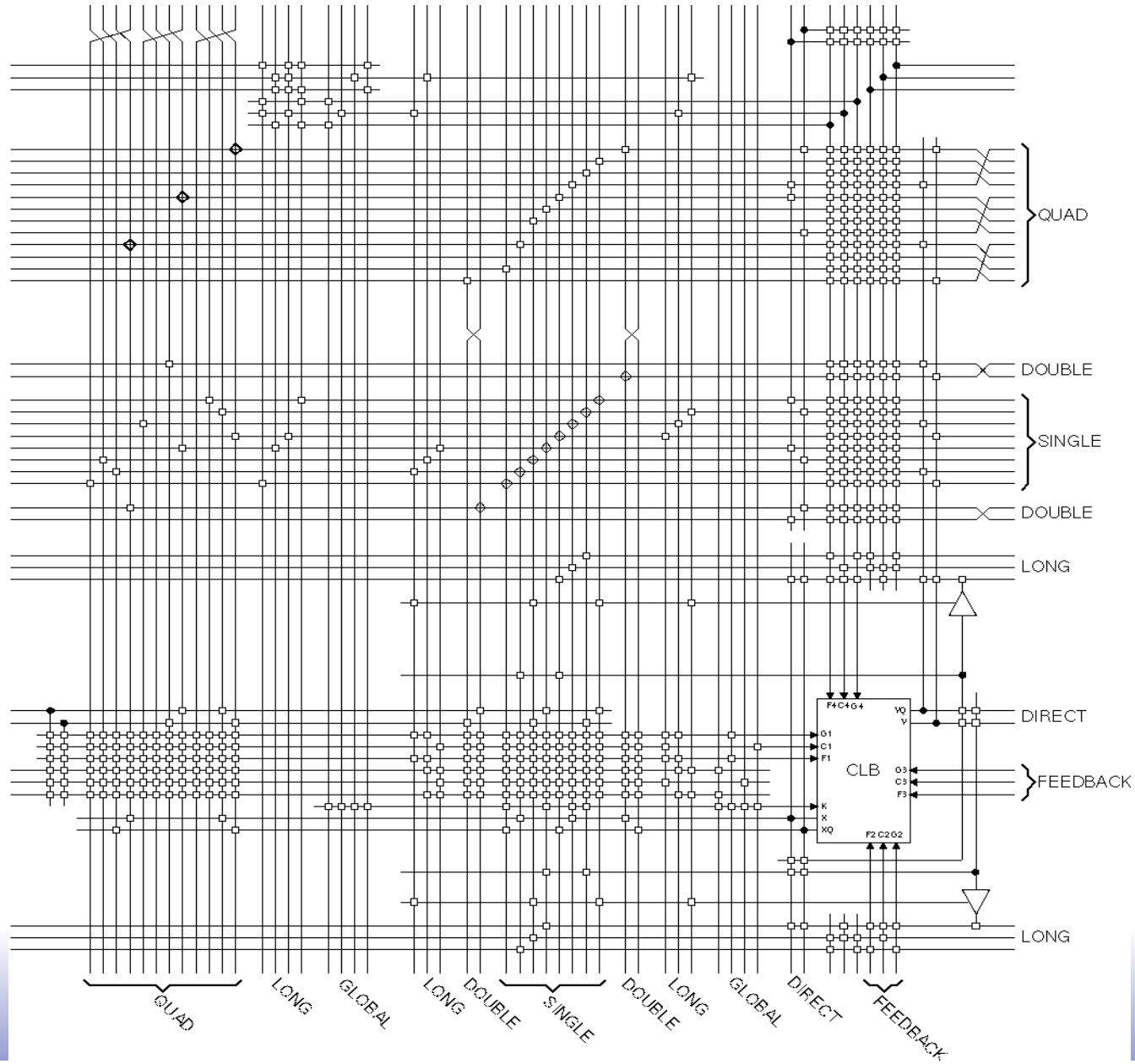
▶ Design Challenges (topology):

- ▶ traversing long wires incurs delay and energy
- ▶ switches (transistors) add significant delay
- ▶ Mapping time

switch matrix could be more richly populated

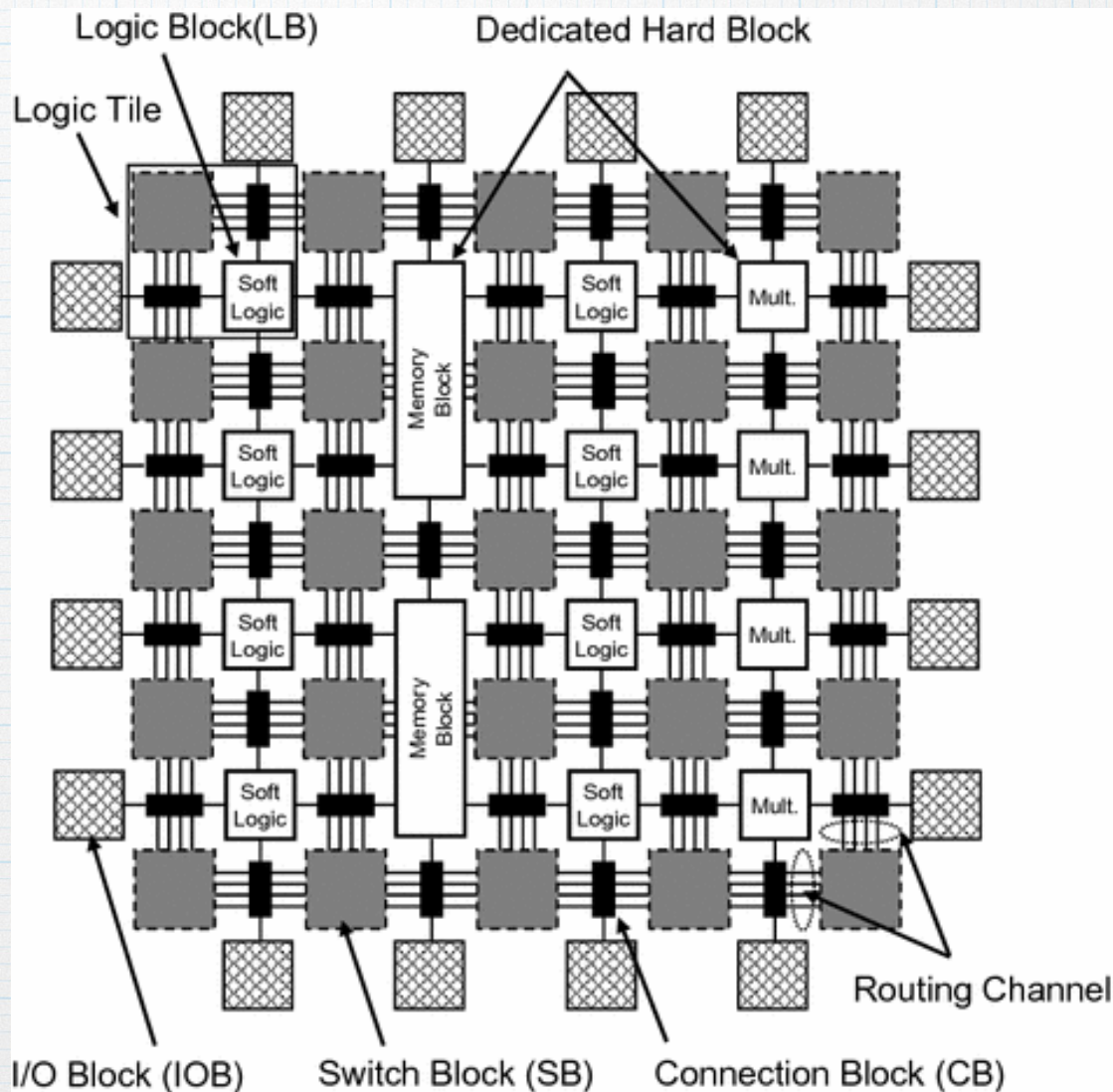
“connection block”

Xilinx FPGAs (interconnect detail)



Embedded Hard Blocks

- ▶ Many important functions are not efficient when implemented in the reconfigurable fabric:
 - ▶ multiplication, large memory, processor cores, ...
- ▶ Dedicated blocks take relatively little area and therefore could go unused.



Colors represent different types of resources:

Logic

Block RAM

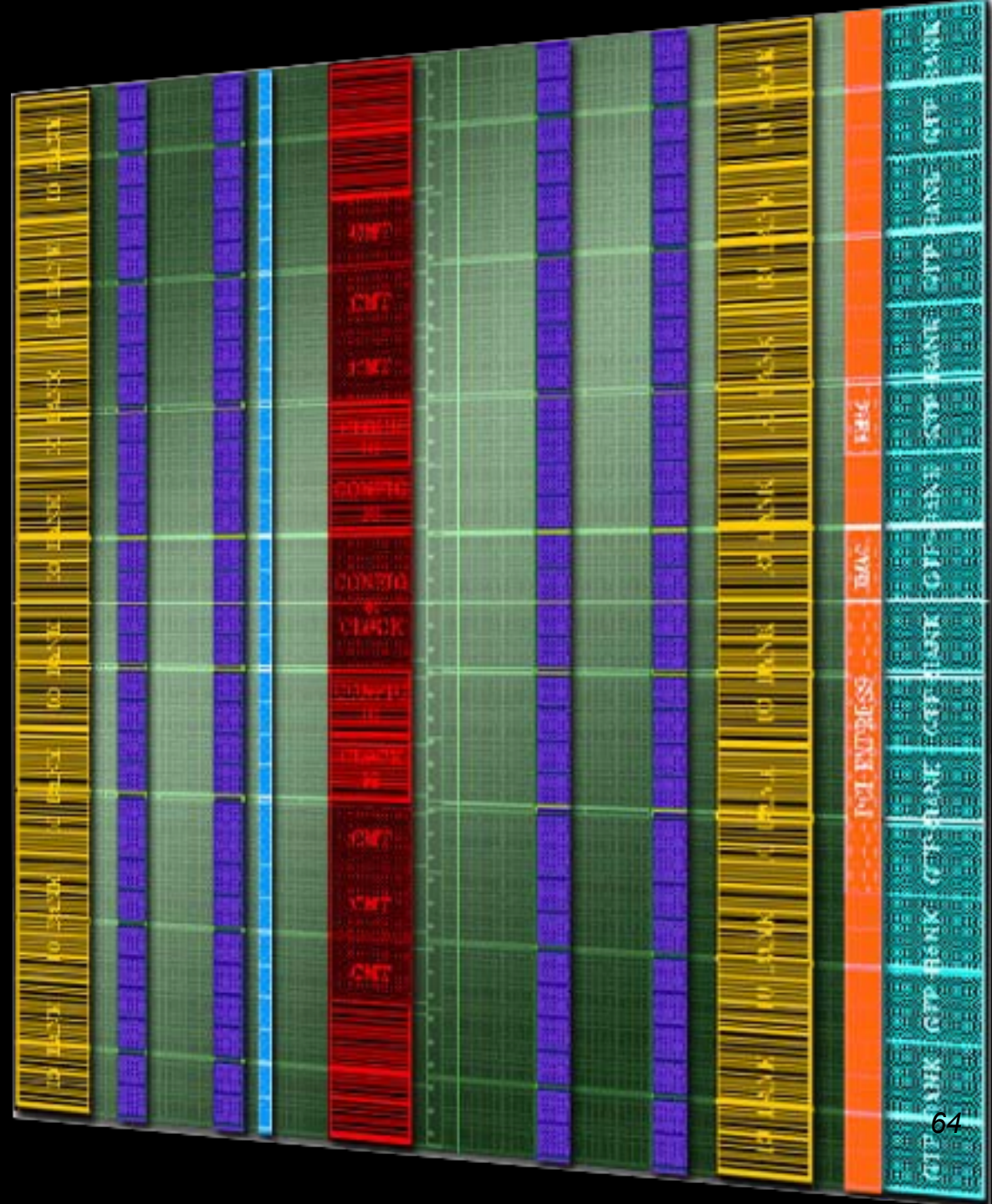
DSP (ALUs)

Clocking

I/O

Serial I/O + PCI

A routing fabric runs throughout the chip to wire everything together.



State-of-the-Art - Xilinx FPGAs

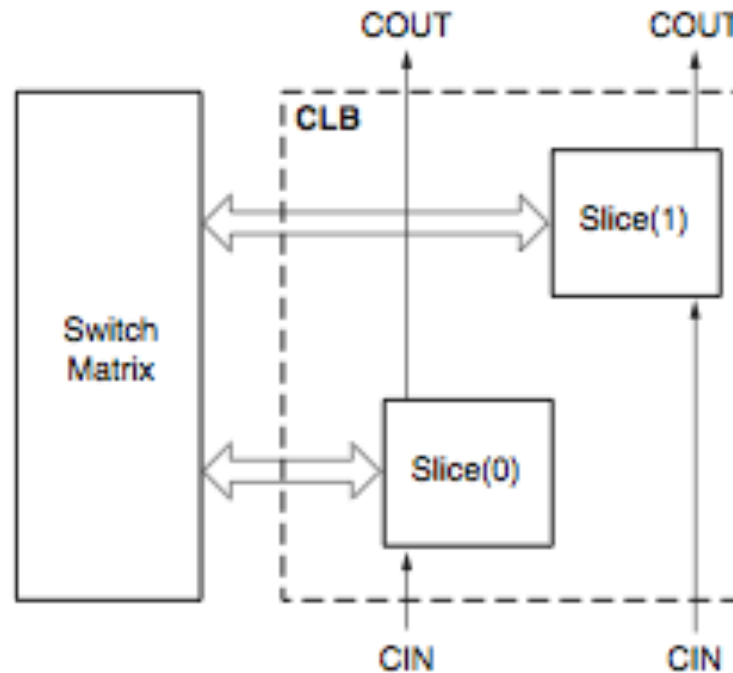


Virtex Ultra-scale

Device Name	VU3P	VU5P	VU7P	VU9P	VU11P	VU13P	VU27P	VU29P	VU31P	VU33P	VU35P	VU37P	
System Logic Cells (K)	862	1,314	1,724	2,586	2,835	3,780	2,835	3,780	962	962	1,907	2,852	
CLB Flip-Flops (K)	788	1,201	1,576	2,364	2,592	3,456	2,592	3,456	879	879	1,743	2,607	
CLB LUTs (K)	394	601	788	1,182	1,296	1,728	1,296	1,728	440	440	872	1,304	
Max. Dist. RAM (Mb)	12.0	18.3	24.1	36.1	36.2	48.3	36.2	48.3	12.5	12.5	24.6	36.7	
Total Block RAM (Mb)	25.3	36.0	50.6	75.9	70.9	94.5	70.9	94.5	23.6	23.6	47.3	70.9	
UltraRAM (Mb)	90.0	132.2	180.0	270.0	270.0	360.0	270.0	360.0	90.0	90.0	180.0	270.0	
HBM DRAM (GB)	–	–	–	–	–	–	–	–	4	8	8	8	
HBM AXI Interfaces	–	–	–	–	–	–	–	–	32	32	32	32	
Clock Mgmt Tiles (CMTs)	10	20	20	30	12	16	16	16	4	4	8	12	
DSP Slices	2,280	3,474	4,560	6,840	9,216	12,288	9,216	12,288	2,880	2,880	5,952	9,024	
Peak INT8 DSP (TOP/s)	7.1	10.8	14.2	21.3	28.7	38.3	28.7	38.3	8.9	8.9	18.6	28.1	
PCIe® Gen3 x16	2	4	4	6	3	4	1	1	0	0	1	2	
PCIe Gen3 x16/Gen4 x8 / CCIX ⁽¹⁾	–	–	–	–	–	–	–	–	4	4	4	4	
150G Interlaken	3	4	6	9	6	8	6	8	0	0	2	4	
100G Ethernet w/ KR4 RS-FEC	3	4	6	9	9	12	11	15	2	2	5	8	
Max. Single-Ended HP I/Os	520	832	832	832	624	832	520	676	208	208	416	624	
GTY 32.75Gb/s Transceivers	40	80	80	120	96	128	32	32	32	32	64	96	
GTM 58Gb/s PAM4 Transceivers							32	48					
100G / 50G KP4 FEC							16 / 32	24 / 48					
Extended ⁽²⁾	-1 -2 -2L -3	-1 -2 -2L -3	-1 -2 -2L -3	-1 -2 -2L -3	-1 -2 -2L -3	-1 -2 -2L -3	-1 -2 -2L -3	-1 -2 -2L -3	-1 -2 -2L -3	-1 -2 -2L -3	-1 -2 -2L -3	-1 -2 -2L -3	-1 -2 -2L -3
Industrial	-1 -2	-1 -2	-1 -2	-1 -2	-1 -2	-1 -2	-1 -2	-1 -2	–	–	–	–	

Configurable Logic Blocks (CLBs)

Slices define regular connections to the switching fabric, and to slices in CLBs above and below it on the die.

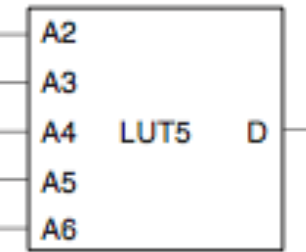


Atoms: 5-input Look Up Tables (LUTs)

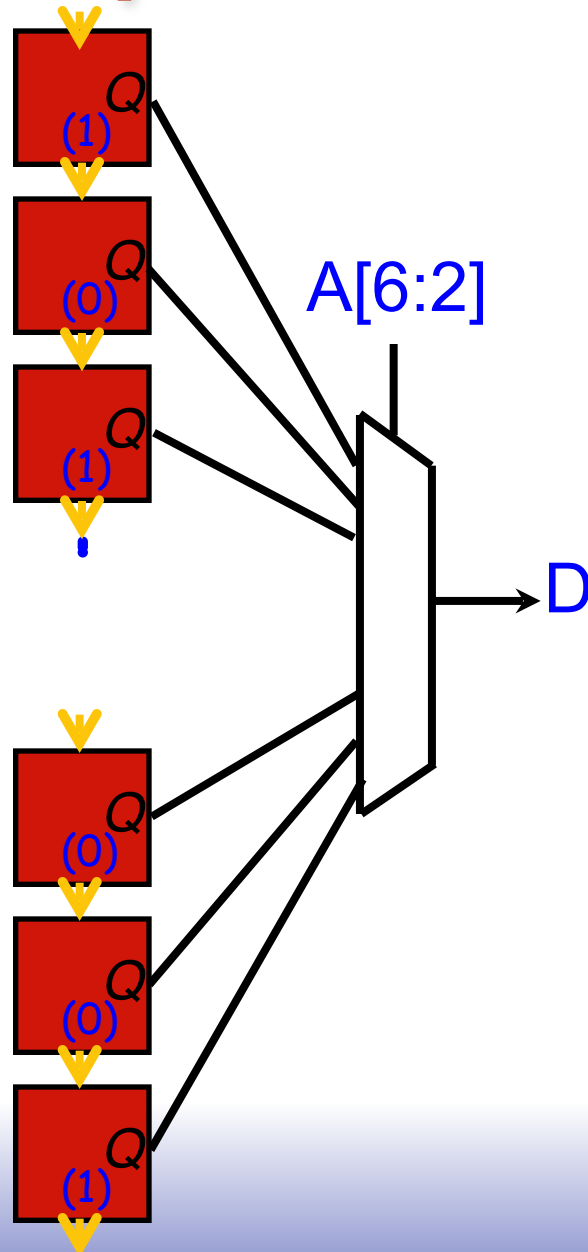
Computes any 5-input logic function.

Timing is independent of function.

Latches set during configuration.



A[6:2]	D
00000	1
00001	0
00010	1
.	.
11101	0
11110	0
11111	1



Virtex 6-LUTs: Composition of 5-LUTs

*May be used
as one
6-input LUT
(D6 out) ...*

*... or as two
5-input LUTS
(D6 and D5)*

*Combinational
logic*

(post configuration)

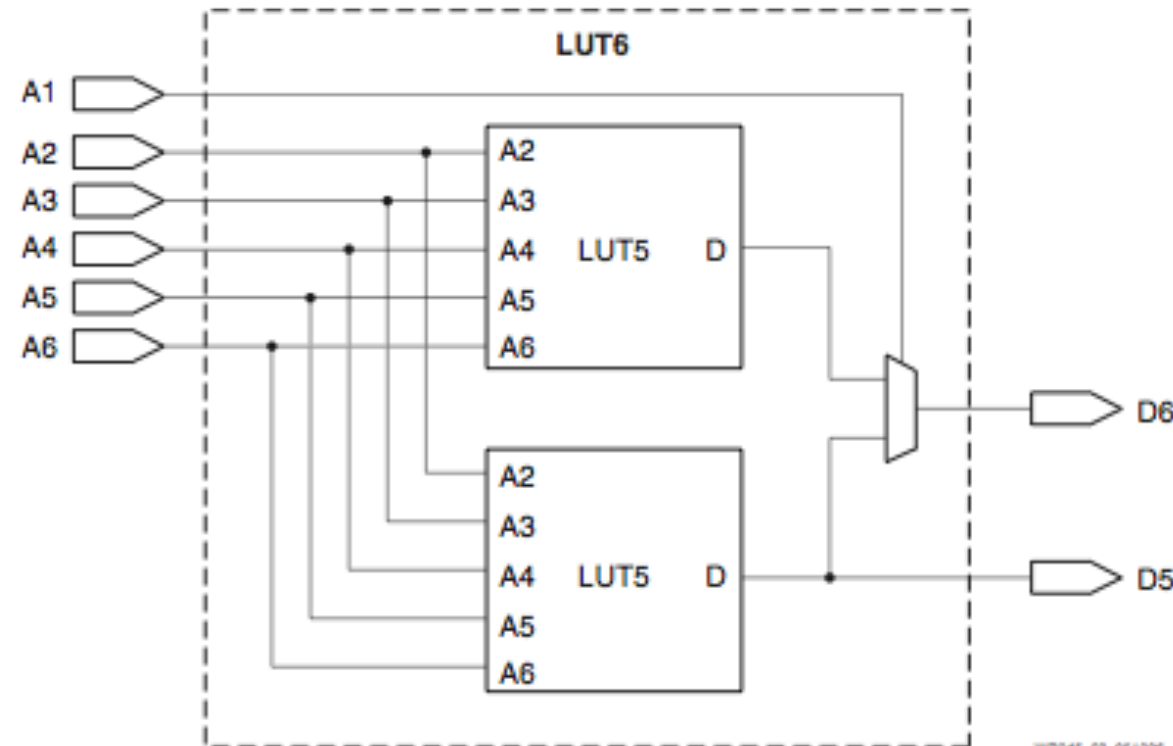
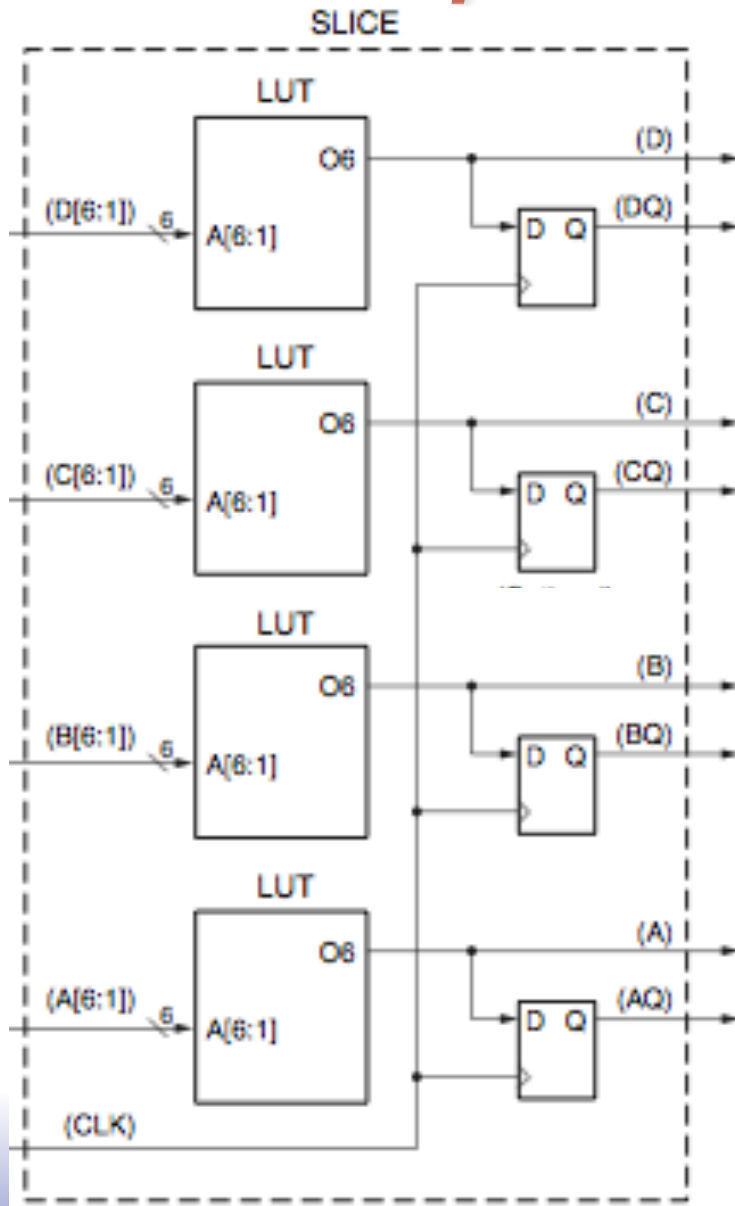


Figure 3: Block Diagram of a Virtex-5 6-Input LUT

The simplest view of a slice



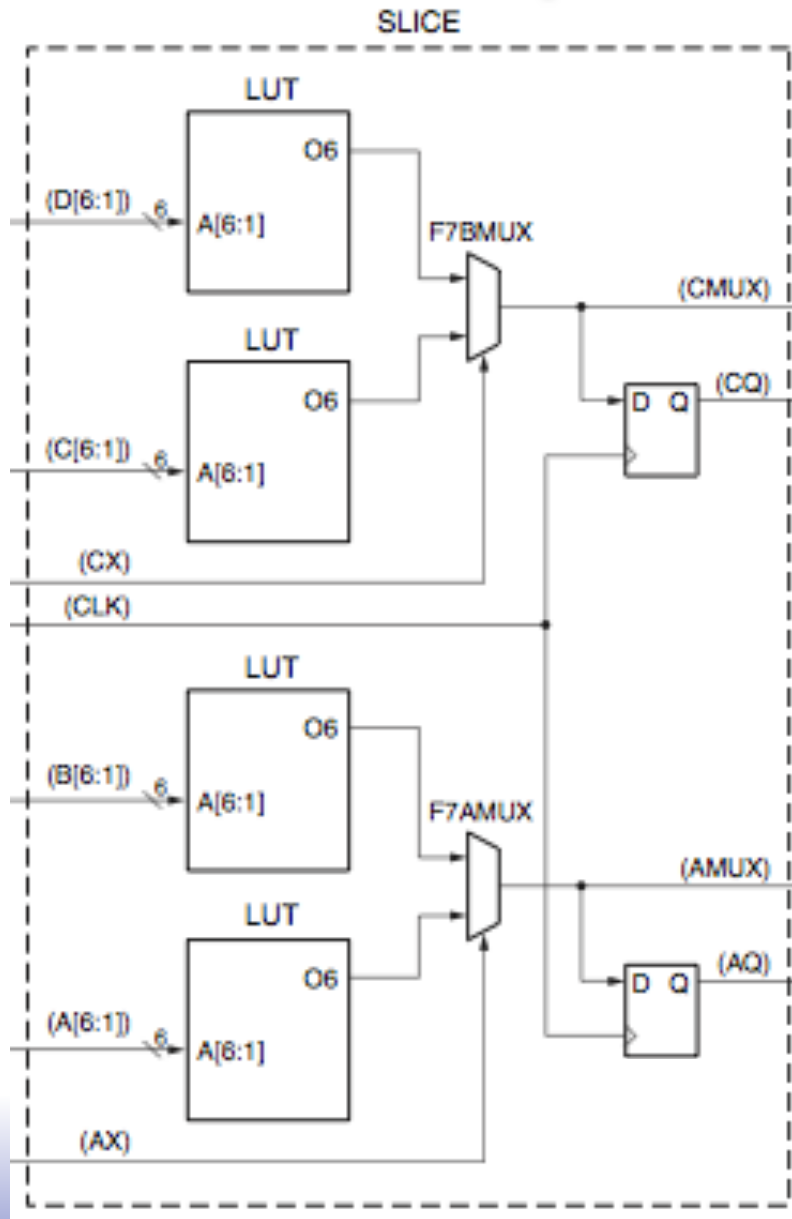
Four 6-LUTs

Four Flip-Flops

*Switching fabric may see
combinational and registered
outputs.*

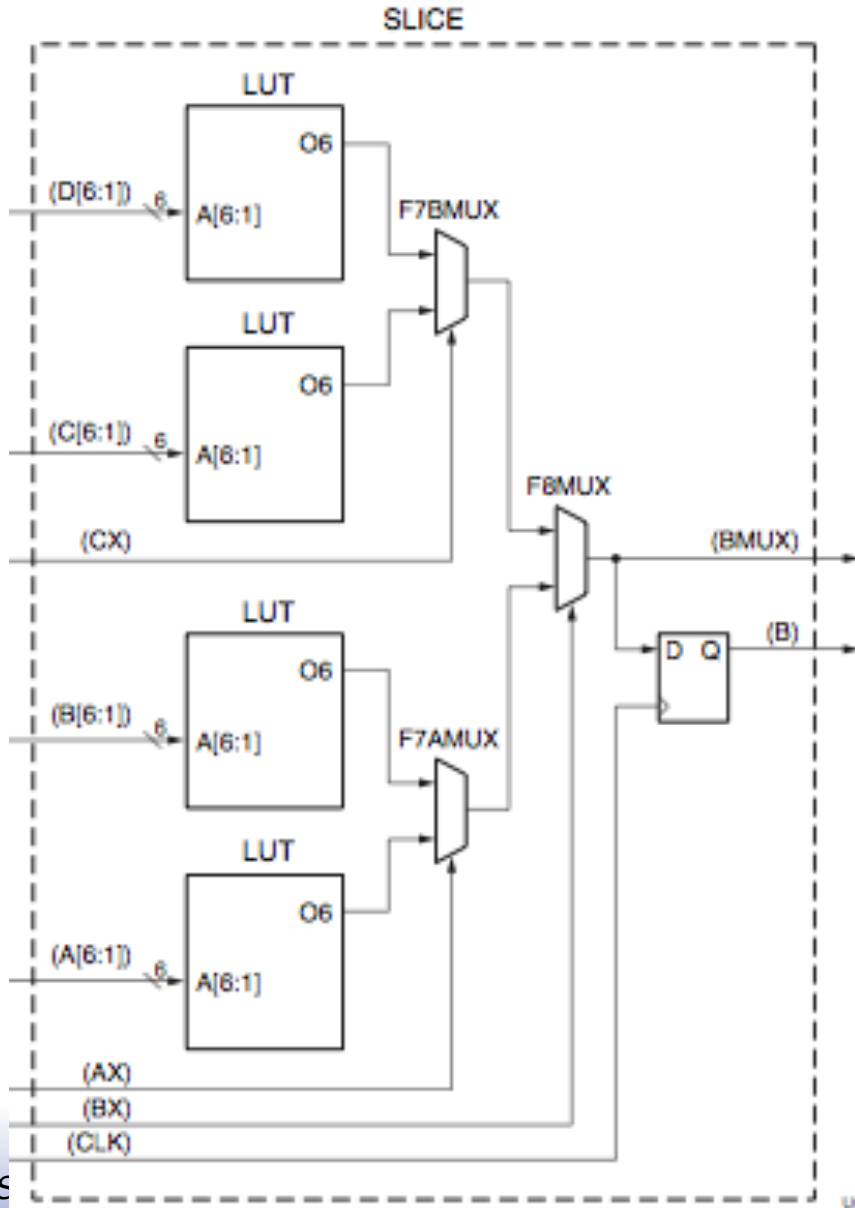
An actual Virtex slice adds many small features to this simplified diagram. We show them one by one ...

Two 7-LUTs per slice ...



*Extra
multiplexers (F7AMUX,
F7BMUX)
Extra inputs
(AX and CX)*

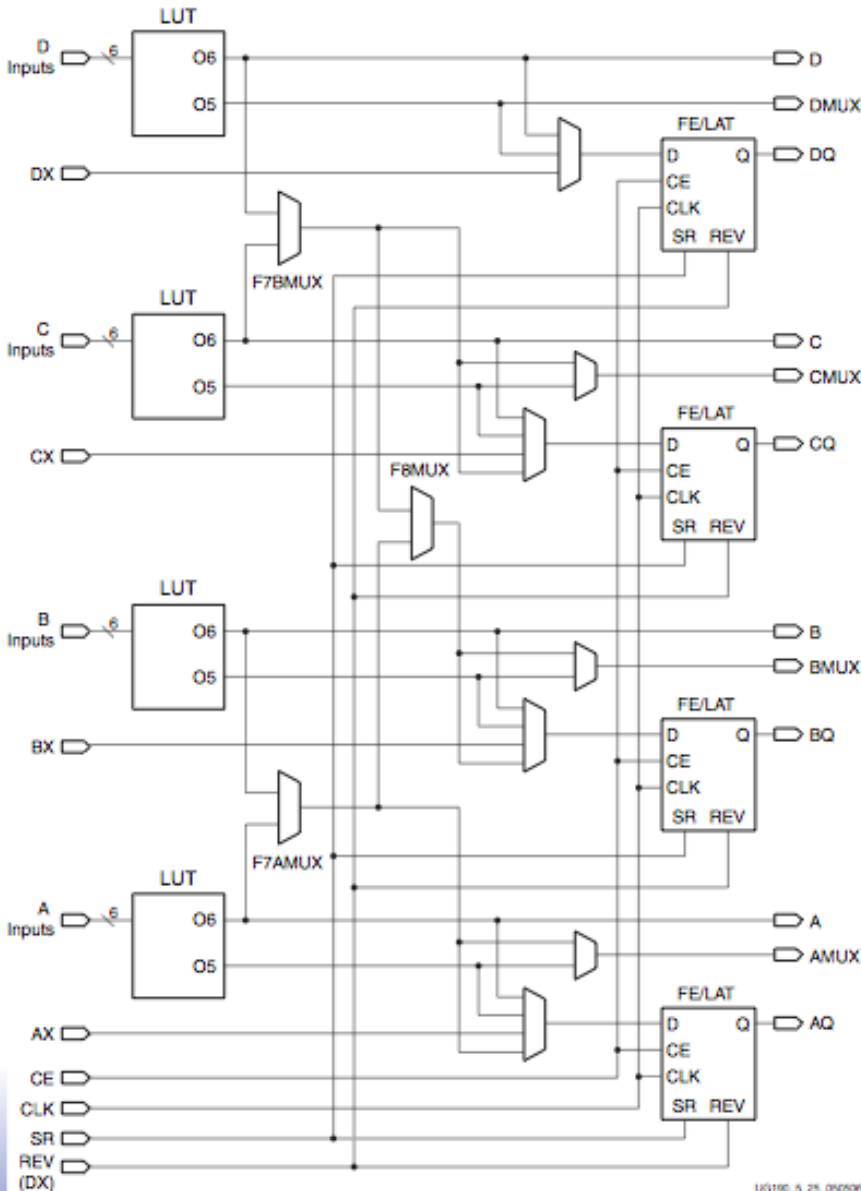
Or one 8-LUTs per slice ...



*Third
multiplexer(F8MUX)*

*Third input
(BX)*

Extra muxes to chose LUT option ...

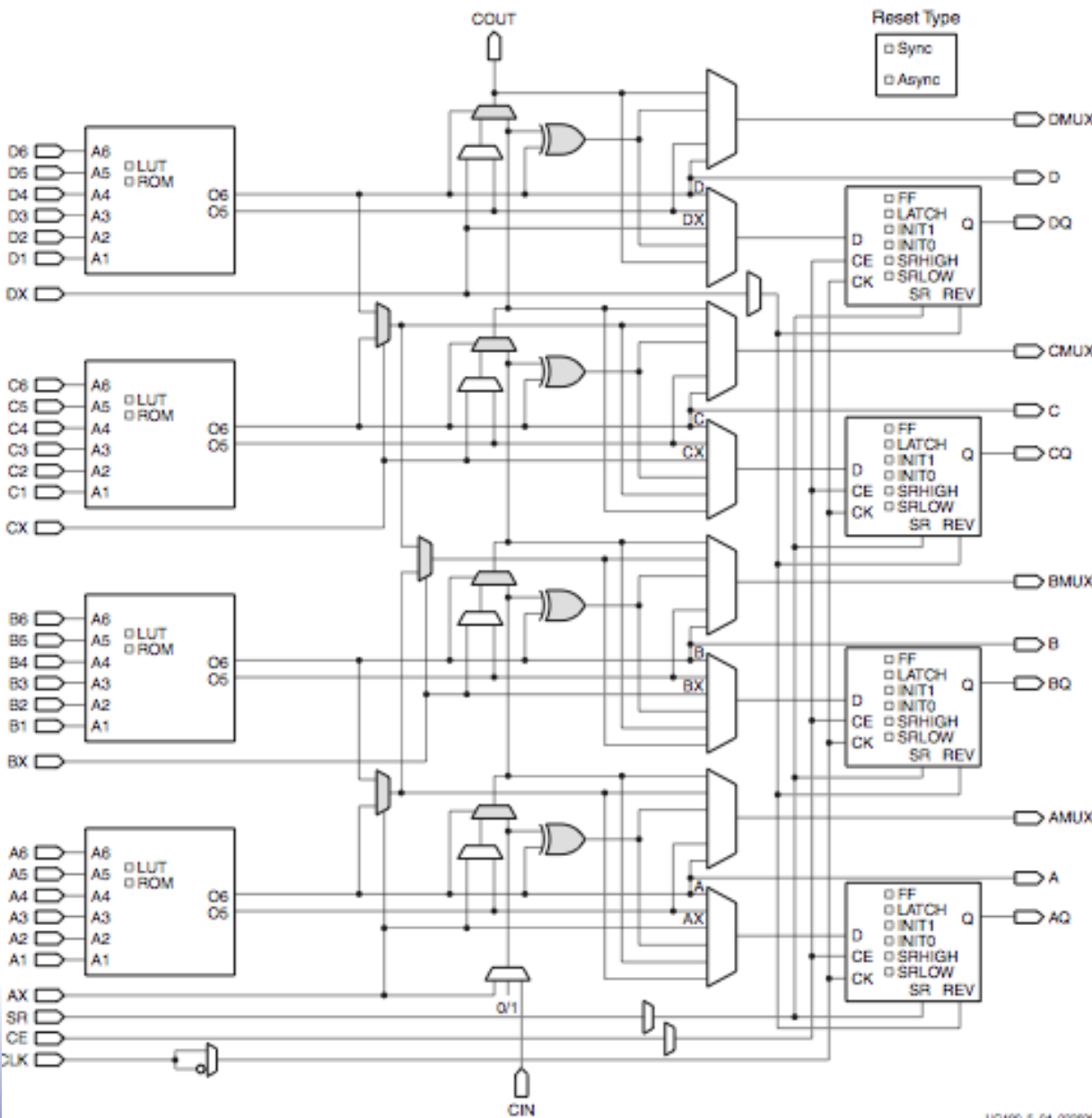


*From eight 5-LUTs
... to one 8-LUT.*

*Combinational
or registered outs.*

*Flip-flops unused by
LUTs can be used
standalone.*

Putting it all together ... a SLICEL.

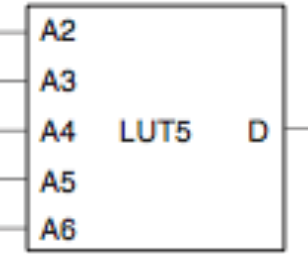


The previous slides explain all SLICEL features.

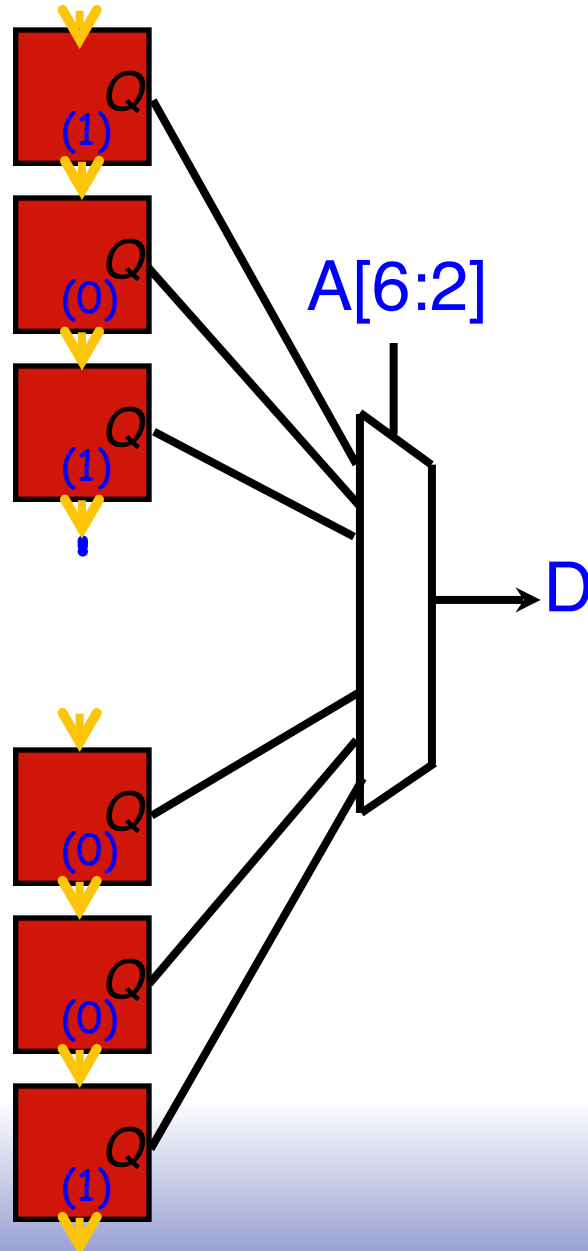
About 50% of the are SLICELs.

The other slices are SLICEMs, and have extra features.

Recall: 5-LUT architecture ...



A[6:2]	D
00000	1
00001	0
00010	1
...	...
11101	0
11110	0
11111	1



- ▼ 32 Latches.
- ▼ Configured to 1 or 0.

Some parts of a logic design need many state elements.

SLICEMs replace normal 5-LUTs with circuits that can act like 5-LUTs, but can alternatively use the 32 latches as RAM, ROM, shift registers.

To be continued ...

Throughout the semester, we will look at different FPGA features in-depth.

- Switch fabric
- Block RAM
- DSP48 (ALUs)
- Clocking
- I/O
- Serial I/O + PCI

