

Introduction to Quantum Error Correction

Nielsen & Chuang

*Quantum Information and
Quantum Computation*, CUP
2000, Ch. 10

Gottesman [quant-ph/0004072](https://arxiv.org/abs/quant-ph/0004072)

Steane [quant-ph/0304016](https://arxiv.org/abs/quant-ph/0304016)

Gottesman [quant-ph/9903099](https://arxiv.org/abs/quant-ph/9903099)

Errors in QIP

- unitary $\alpha|0\rangle + \beta|1\rangle \xrightarrow{U} \alpha|0\rangle + \beta e^{i(\phi+\delta)}|1\rangle$
- non-unitary $\alpha|0\rangle + \beta|1\rangle \xrightarrow{M} p_\alpha|0\rangle$
- general: pure \rightarrow mixed states

$$|\psi\rangle \rightarrow \rho_f \quad \text{tr} \rho_f^2 < 1$$

$$\rho = |\psi\rangle\langle\psi| \rightarrow \rho_f = \sum_k E_k \rho E_k^\dagger = \sum_k E_k |\psi\rangle\langle\psi| E_k^\dagger$$

$$\begin{aligned} \text{from } \rho_f &= \text{tr}_{env} \left[U \rho \otimes \rho_{env} U^\dagger \right] \underbrace{\quad}_{|\psi_k\rangle} \\ &= \sum_k \langle e_k | U \rho \otimes |e_0\rangle \langle e_0| U^\dagger |e_k\rangle \\ &= \sum_k E_k \rho E_k^\dagger \quad E_k = \langle e_k | U |e_0\rangle, U(\text{sys+env}) \\ &\quad \text{trace preserving: } \sum_k E_k E_k^\dagger = 1 \end{aligned}$$

\equiv take ρ and randomly replace by $E_k \rho E_k^\dagger = |\psi_k\rangle\langle\psi_k|$

with probability $p_k = \text{tr} (E_k \rho E_k^\dagger)$

Quantum noise:

channel representation

$$\rho \rightarrow \sum_k E_k \rho E_k^\dagger$$

Bit flip channel

$$E_0 = \sqrt{p} \begin{pmatrix} 1 & 0 \\ 0 & 1 \end{pmatrix}, E_1 = \sqrt{1-p} \begin{pmatrix} 0 & 1 \\ 1 & 0 \end{pmatrix},$$

Phase flip channel

$$E_0 = \sqrt{p} \begin{pmatrix} 1 & 0 \\ 0 & 1 \end{pmatrix}, E_1 = \sqrt{1-p} \begin{pmatrix} 1 & 0 \\ 0 & -1 \end{pmatrix}$$

Bit-phase flip channel

$$E_0 = \sqrt{p} \begin{pmatrix} 1 & 0 \\ 0 & 1 \end{pmatrix}, E_1 = \sqrt{1-p} Y = \sqrt{1-p} \begin{pmatrix} 0 & -i \\ i & 0 \end{pmatrix}$$

Amplitude damping channel

$$E_0 = \begin{pmatrix} 1 & 0 \\ 0 & \sqrt{1-\gamma^2} \end{pmatrix}, E_1 = \begin{pmatrix} 0 & \sqrt{\gamma} \\ 0 & 0 \end{pmatrix}$$

Depolarizing channel

$$\varepsilon(\rho) = (1-p)\rho + \frac{p}{3}(X\rho X + Y\rho Y + Z\rho Z)$$

Geometrical interpretation: Bloch sphere in r-space (NC p. 376)

$$\rho = \frac{I + \bar{r} \cdot \bar{\sigma}}{2}, \bar{\sigma} = \{\sigma_x, \sigma_y, \sigma_z\}, \bar{r} = \{r_x, r_y, r_z\}$$

Encode/Error/Recovery

- quantum information is encoded into ρ_C
- an error occurs

$$\mathcal{E}(\rho_C) = \sum_k E_k \rho_C E_k^\dagger$$

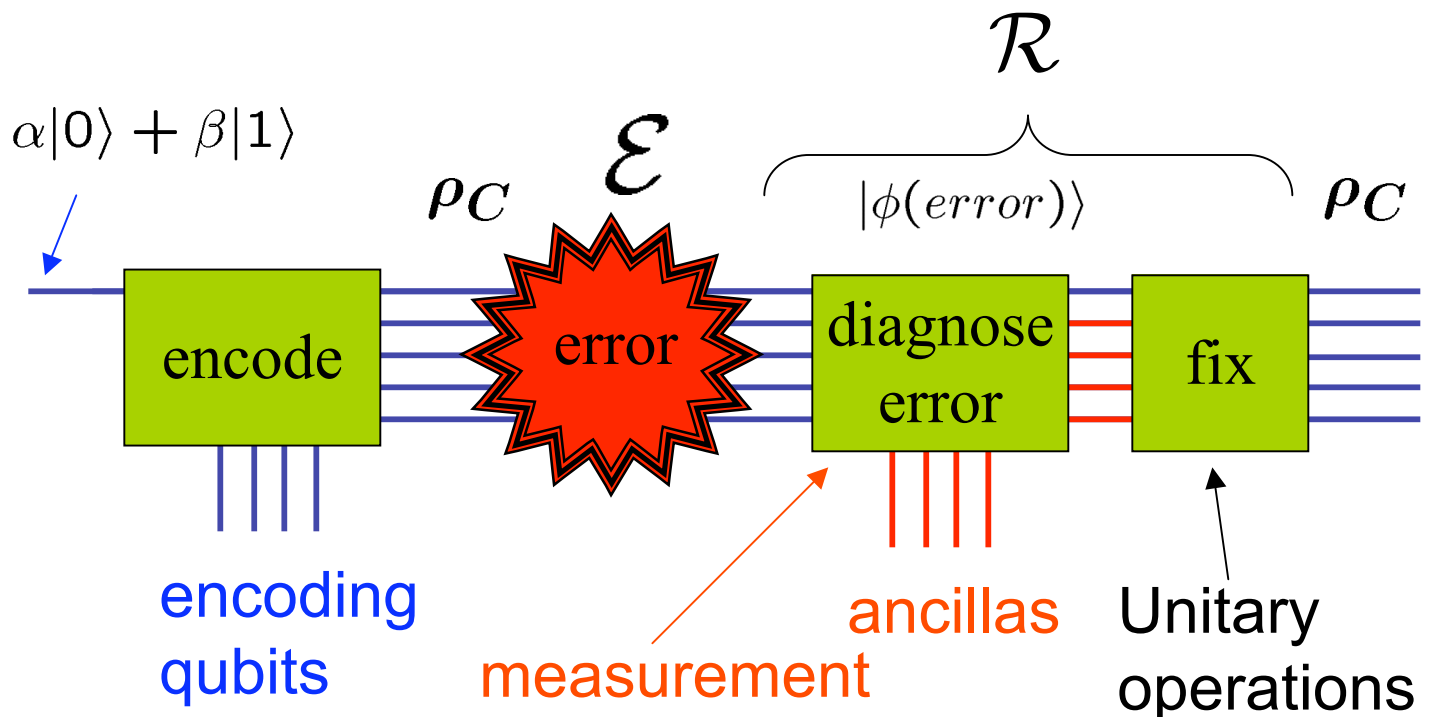
- recovery procedure undertaken

$$\mathcal{R}[\mathcal{E}(\rho_C)] = \sum_l R_l \sum_k E_k \rho_C E_k^\dagger R_l^\dagger$$

- regain the encoded state ρ_C

$$\mathcal{R}[\mathcal{E}(\rho_C)] = \rho_C$$

Encoding and Recovery



error and recovery are superoperators

$$\rho = \mathcal{S}(|\psi\rangle) = \sum_k A_k \rho A_k^\dagger$$

Recovery operator \mathcal{R} restores state to the code after error from environment

- encode into a subspace
- no measurement of state, only of error
- achieve by adding ancilla qubits
- measure ancillas \rightarrow syndrome of error
- perform unitaries conditional on syndrome to correct erroneous qubits

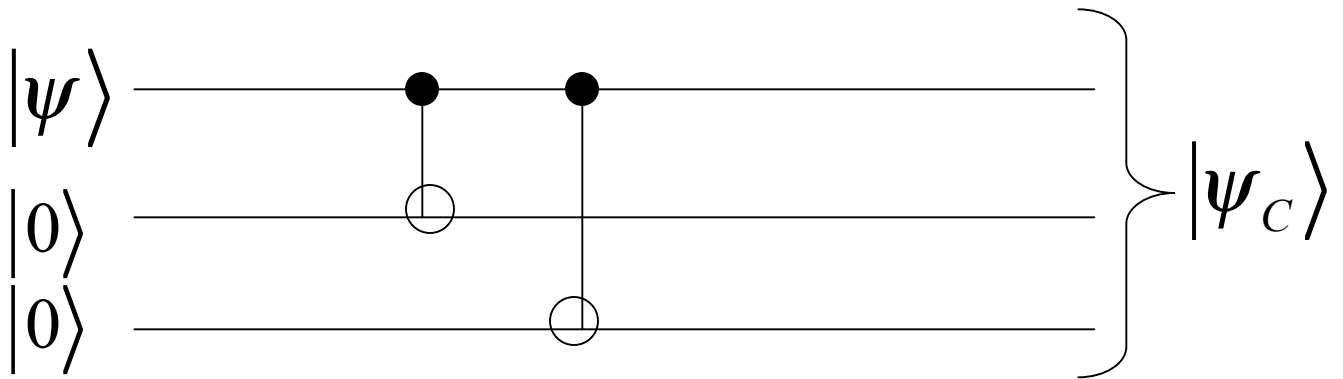
Encoding

e.g., 3-qubit bit flip code

$$|0_L\rangle = |000\rangle$$

$$|1_L\rangle = |111\rangle$$

$$|\psi\rangle = \alpha|0\rangle + \beta|1\rangle \rightarrow |\psi_C\rangle = \alpha|0_L\rangle + \beta|1_L\rangle$$



$$(\alpha|0\rangle + \beta|1\rangle) \otimes |0\rangle \rightarrow \alpha|00\rangle + \beta|11\rangle$$

$$(\alpha|00\rangle + \beta|11\rangle) \otimes |0\rangle \rightarrow \alpha|000\rangle + \beta|111\rangle \equiv \alpha|0_L\rangle + \beta|1_L\rangle$$

Continuous Errors

$$R_{\theta/2} = \begin{pmatrix} 1 & 0 \\ 0 & e^{i\theta} \end{pmatrix} = e^{i\theta/2} \begin{pmatrix} e^{-i\theta/2} & 0 \\ 0 & e^{i\theta/2} \end{pmatrix}$$
$$= \cos(\theta/2)I - i \sin(\theta/2)Z$$

add ancilla(s), transfer error info to ancilla (c-U)

$$Z(\alpha|0_L\rangle + \beta|1_L\rangle) \otimes |0_{anc}\rangle \rightarrow Z(\alpha|0_L\rangle + \beta|1_L\rangle) \otimes |Z_{anc}\rangle$$

$$I(\alpha|0_L\rangle + \beta|1_L\rangle) \otimes |0_{anc}\rangle \rightarrow I(\alpha|0_L\rangle + \beta|1_L\rangle) \otimes |no\ error_{anc}\rangle$$

ancilla \rightarrow superposition

$$\cos\left(\frac{\theta}{2}\right) I(\alpha|0_L\rangle + \beta|1_L\rangle) \otimes |no\ error_{anc}\rangle$$
$$- i \sin\left(\frac{\theta}{2}\right) Z(\alpha|0_L\rangle + \beta|1_L\rangle) \otimes |Z_{anc}\rangle$$

measure ancilla

$$\text{prob. } \sin^2\left(\frac{\theta}{2}\right) Z(\alpha|0_L\rangle + \beta|1_L\rangle) \otimes |Z_{anc}\rangle$$

$$\text{prob. } \cos^2\left(\frac{\theta}{2}\right) I(\alpha|0_L\rangle + \beta|1_L\rangle) \otimes |no\ error_{anc}\rangle$$

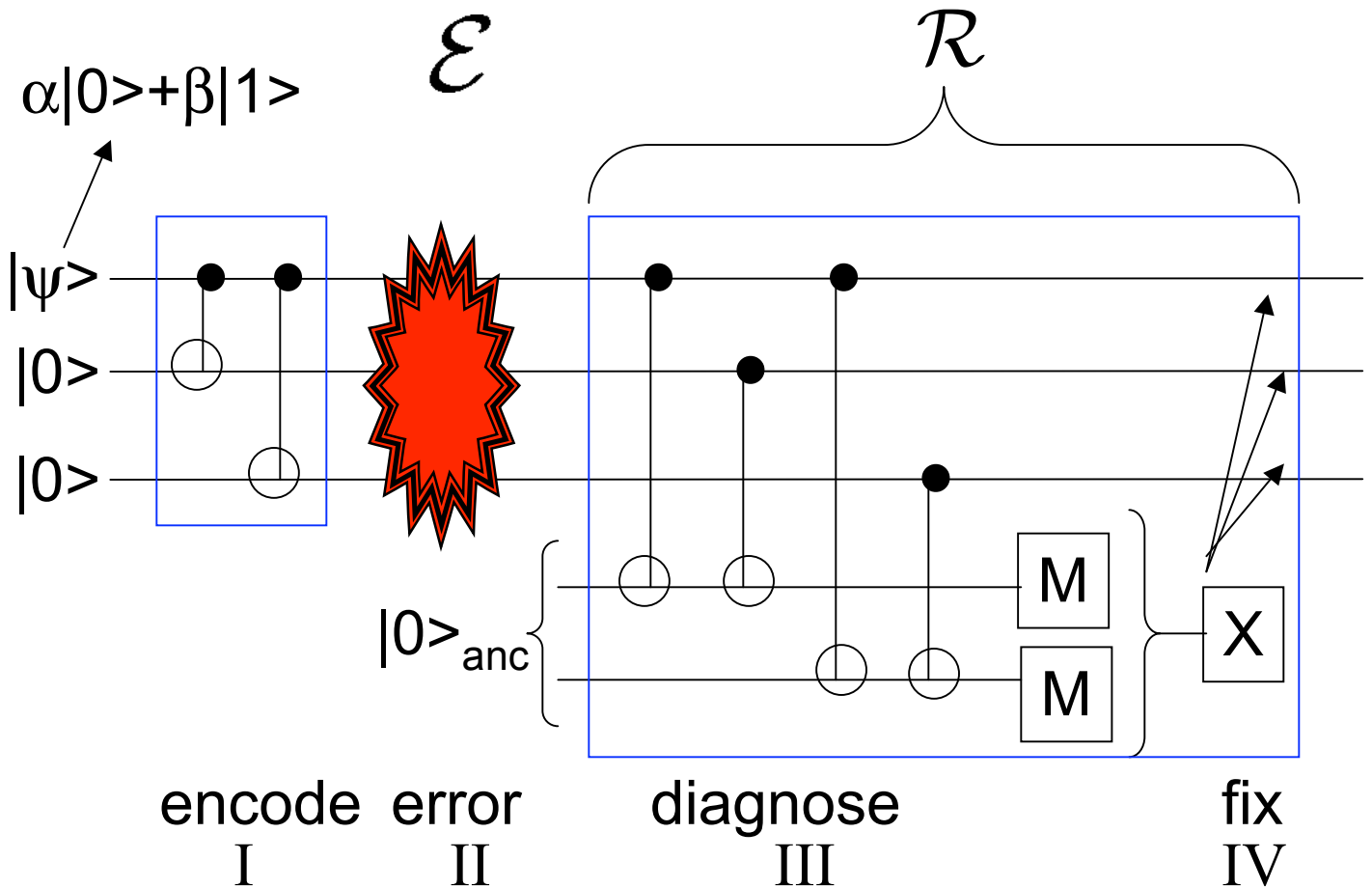
invert either one \rightarrow restore initial state

3-qubit Bit Flip Code

$$|0_L\rangle = |000\rangle$$

$$|1_L\rangle = |111\rangle$$

Error X with prob. p



I: $(\alpha|0\rangle + \beta|1\rangle) \otimes |0\rangle \otimes |0\rangle \rightarrow \alpha|000\rangle + \beta|111\rangle$

II: 8 possibilities from errors XII, IXI, IIX, XXI, XIX, IXX, XXX, III

state after error	Prob. of getting state	
$\alpha 000\rangle + \beta 111\rangle$	$(1-p)^3$	
$\alpha 100\rangle + \beta 011\rangle$	$p(1-p)^2$	1 or no error
$\alpha 010\rangle + \beta 101\rangle$	$p(1-p)^2$	
$\alpha 001\rangle + \beta 110\rangle$	$p(1-p)^2$	
<hr/>		
$\alpha 110\rangle + \beta 001\rangle$	$p^2(1-p)$	
$\alpha 101\rangle + \beta 010\rangle$	$p^2(1-p)$	
$\alpha 011\rangle + \beta 100\rangle$	$p^2(1-p)$	
$\alpha 111\rangle + \beta 000\rangle$	p^3	

- III: a) perform CNOT between qubits 1 & 2 with ancilla 1
 b) perform CNOT between qubits 1 & 3 with ancilla 2

$\alpha 000\rangle + \beta 111\rangle$	$ 00\rangle$	$(1-p)^3$
$\alpha 100\rangle + \beta 011\rangle$	$ 11\rangle$	$p(1-p)^2$
$\alpha 010\rangle + \beta 101\rangle$	$ 10\rangle$	$p(1-p)^2$
$\alpha 001\rangle + \beta 110\rangle$	$ 01\rangle$	$p(1-p)^2$
<hr/>		
$\alpha 110\rangle + \beta 001\rangle$	$ 01\rangle$	$p^2(1-p)$
$\alpha 101\rangle + \beta 010\rangle$	$ 10\rangle$	$p^2(1-p)$
$\alpha 011\rangle + \beta 100\rangle$	$ 11\rangle$	$p^2(1-p)$
$\alpha 111\rangle + \beta 000\rangle$	$ 00\rangle$	p^3

syndrome

syndrome redundant for 1 and 2 (0 and 3) errors, but unequal probabilities

III. c) M = measure ancillas:
 assume only 1 (or 0) error \Rightarrow syndrome
 uniquely identifies error

$$\begin{aligned}
 \text{failure rate of code} &= \text{rate of } \geq 2 \text{ errors} \\
 &= 3p^2(1-p) + p^3 \\
 &= 3p^2 - 2p^3 \\
 &< p \text{ for } p < 0.5
 \end{aligned}$$

IV. fix by applying unitary conditional on M

syndrome: 00	do nothing
01	apply σ_x to 3 rd qubit
10	apply σ_x to 2 nd qubit
11	apply σ_x to 1 st qubit

$$\begin{aligned}
 &\alpha|000\rangle + \beta|111\rangle|00\rangle \\
 &\alpha|100\rangle + \beta|011\rangle|11\rangle \\
 &\alpha|010\rangle + \beta|101\rangle|10\rangle \\
 &\alpha|001\rangle + \beta|110\rangle|01\rangle
 \end{aligned}$$

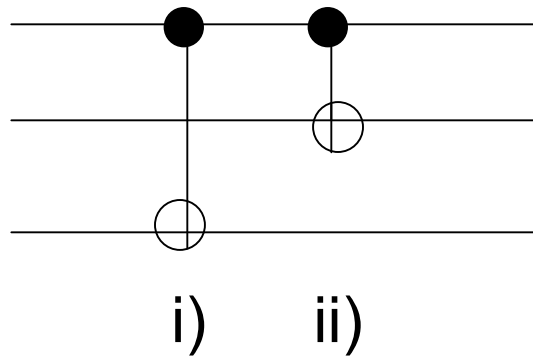
recover encoded state
 $\alpha|000\rangle + \beta|111\rangle$

Decoding

e.g. from syndrome 10

after IV. have $\alpha|000\rangle + \beta|111\rangle$ with $p(1-p)^2$

extract original qubit $\alpha|0\rangle + \beta|1\rangle$ with circuit:



$$\text{i) } \alpha|000\rangle + \beta|111\rangle \rightarrow \alpha|0\rangle|00\rangle + \beta|1\rangle|10\rangle$$

$$\text{ii) } \alpha|0\rangle|00\rangle + \beta|1\rangle|10\rangle \rightarrow \alpha|0\rangle|00\rangle + \beta|1\rangle|00\rangle \\ = (\alpha|0\rangle + \beta|1\rangle)|00\rangle$$

\Rightarrow get correct qubit state with prob. $> 1-p$
 prob. of failure = $3p^2 - 2p^3 < p$ for $p < 0.5$
 success = 100% if no 2 or 3 errors

error prob. reduced from p to $O(p^2)$

3-bit Phase Code

$$\sigma_z(\alpha|0\rangle + \beta|1\rangle) = \alpha|0\rangle - \beta|1\rangle \quad \text{not classical!}$$

$$\text{change basis: } |+\rangle = 1/\sqrt{2}(|0\rangle + |1\rangle)$$

$$|-\rangle = 1/\sqrt{2}(|0\rangle - |1\rangle)$$

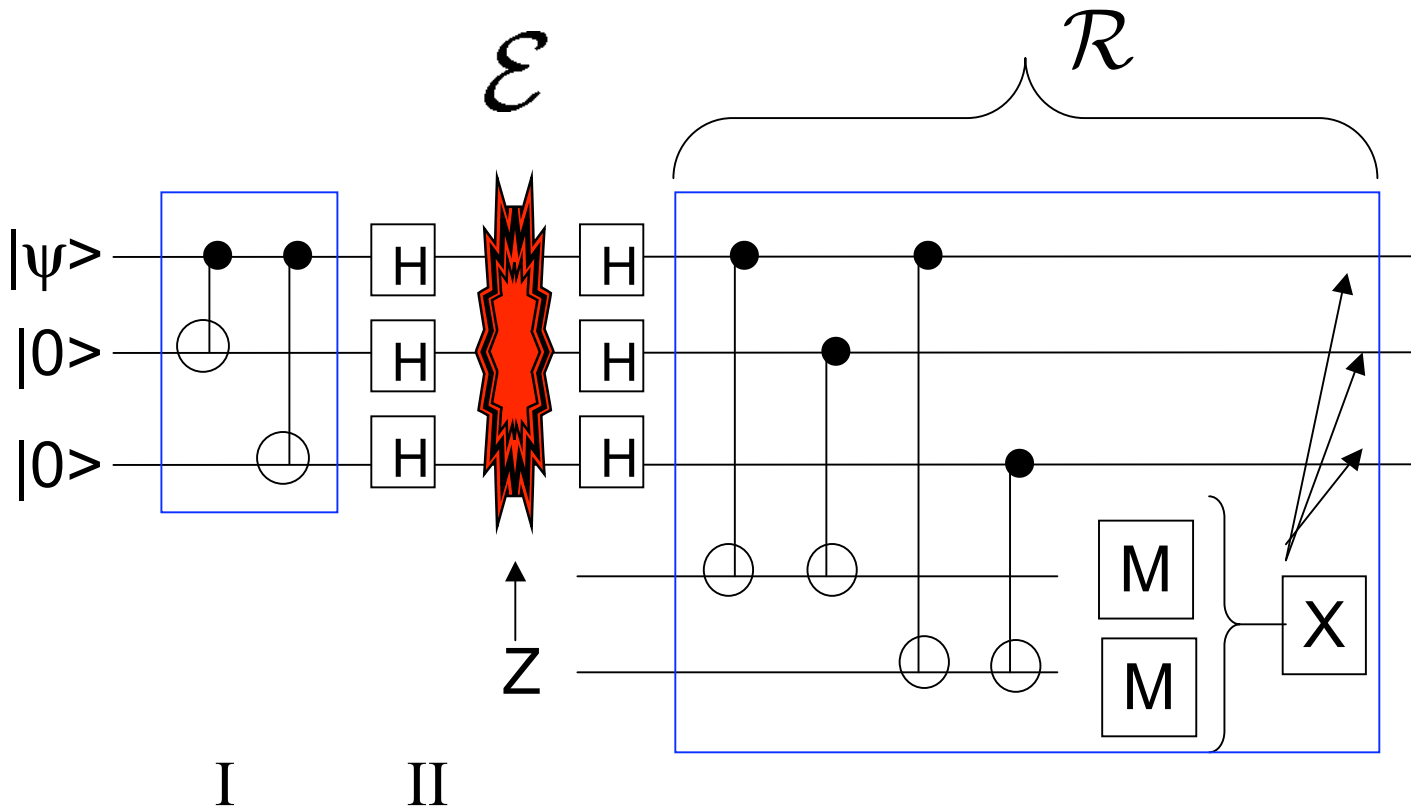
$$\begin{pmatrix} + \\ - \end{pmatrix} = \frac{1}{\sqrt{2}} \begin{pmatrix} 1 & 1 \\ 1 & -1 \end{pmatrix} \begin{pmatrix} 1 \\ 1 \end{pmatrix} = H \begin{pmatrix} 1 \\ 1 \end{pmatrix}$$

$$\text{then } \sigma_z|+\rangle = |-\rangle$$

$$\sigma_z|-\rangle = |+\rangle$$

like bit flip!

$$H \sigma_z H = \sigma_x \quad \text{or } H = |+\rangle\langle 0| + |-\rangle\langle 1|$$



effectively encoded into $|0_L\rangle = |+++ \rangle$, $|1_L\rangle = |-- \rangle$

$$I, II \rightarrow \alpha|+++ \rangle + \beta|-- \rangle$$

phase errors ZII , IZI , ZII act as Z on $|000\rangle$, $|111\rangle$

$$\begin{aligned} \text{e.g., } ZII|000\rangle &= |000\rangle \\ ZII|111\rangle &= -1|111\rangle \end{aligned}$$

but as X on $|+++ \rangle$, $-- \rangle$

Both bit flip and phase errors:

concatenate these two codes:

$$|0_L\rangle = (|000\rangle + |111\rangle)(|000\rangle + |111\rangle)(|000\rangle + |111\rangle)$$

$$|1_L\rangle = (|000\rangle - |111\rangle)(|000\rangle - |111\rangle)(|000\rangle - |111\rangle)$$

inner layer corrects bit flips 000, 111

outer layer corrects phase flips +++, ----

Shor PRA **52**, R2493 (1995)

define Bell basis:

$$|000\rangle \pm |111\rangle$$

$$|001\rangle \pm |110\rangle$$

$$|010\rangle \pm |101\rangle$$

$$|100\rangle \pm |011\rangle$$

consider decoherence of qubit 1:

$$e|0\rangle \rightarrow a_0|0\rangle + a_1|1\rangle$$

$$e|1\rangle \rightarrow a_2|0\rangle + a_3|1\rangle$$

$e, a_0, \dots, a_3 =$
states of env

first triple:

$$|000\rangle + |111\rangle \rightarrow (a_0|0\rangle + a_1|1\rangle)|00\rangle +$$

$$(a_2|0\rangle + a_3|1\rangle)|11\rangle$$

$$= a_0|000\rangle + a_1|100\rangle + a_2|011\rangle + a_3|111\rangle$$

put in Bell basis \rightarrow

$$\begin{aligned} &= 1/2 (a_0 + a_3) (|000\rangle + |111\rangle) \\ &+ 1/2 (a_0 - a_3) (|000\rangle - |111\rangle) \\ &+ 1/2 (a_1 + a_2) (|100\rangle + |011\rangle) \\ &+ 1/2 (a_1 - a_2) (|100\rangle - |011\rangle) \end{aligned}$$

similarly $|000\rangle - |111\rangle$ goes to

$$\begin{aligned} &= 1/2 (a_0 + a_3) (|000\rangle - |111\rangle) \\ &+ 1/2 (a_0 - a_3) (|000\rangle + |111\rangle) \leftarrow \text{output 2} \\ &+ 1/2 (a_1 + a_2) (|100\rangle - |011\rangle) \text{ (syndrome 2)} \\ &+ 1/2 (a_1 - a_2) (|100\rangle + |011\rangle) \end{aligned}$$

assume 1 error only:

compare all 3 triples, see which differs

majority sign indicates $|0_L\rangle$ or $|1_L\rangle$

find which qubit decohered

(measure 9 ancillas \rightarrow which syndrome)

restore qubit state with a unitary operation

e.g. from $|000\rangle - |111\rangle$

$$1/2 (a_0 + a_3) (|000\rangle - |111\rangle) \Rightarrow \text{no error}$$

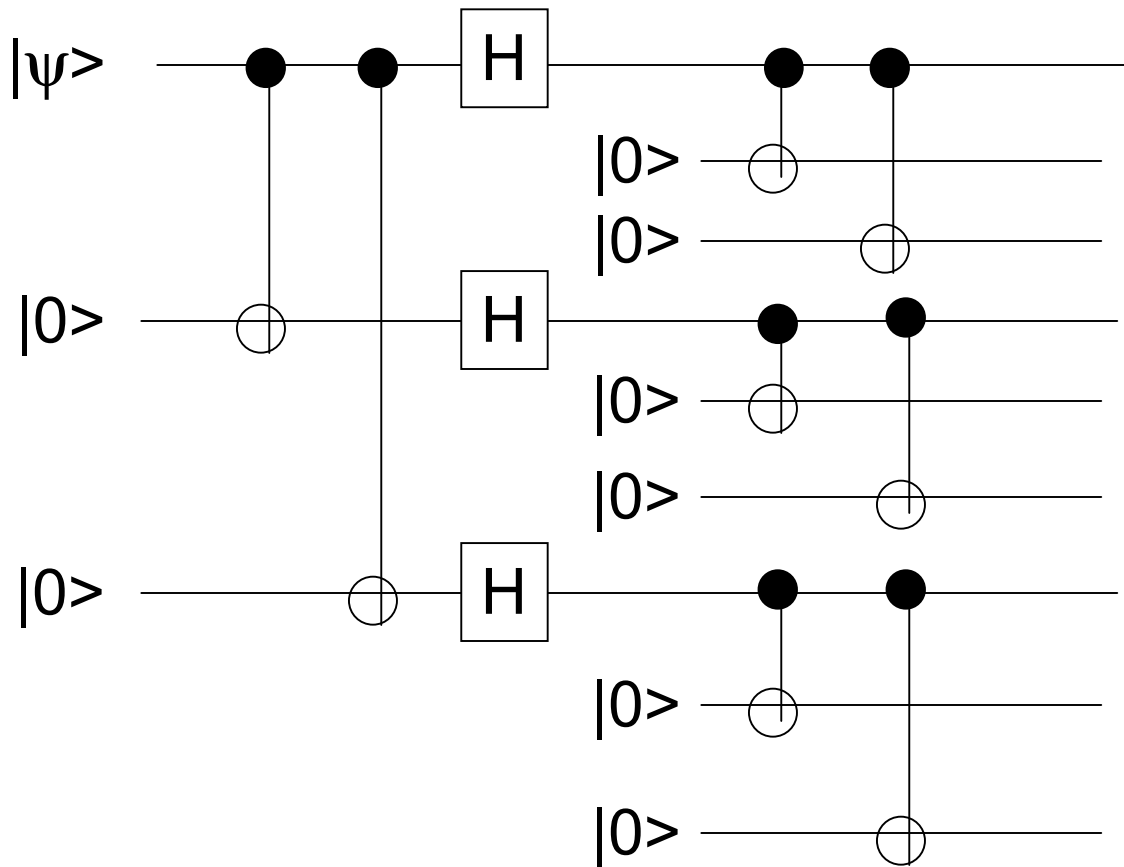
$$\text{output 2 } 1/2 (a_0 - a_3) (|000\rangle + |111\rangle) \Rightarrow \text{Z error}$$

$$1/2 (a_1 + a_2) (|100\rangle + |011\rangle) \Rightarrow \text{X error}$$

$$1/2 (a_1 - a_2) (|100\rangle - |011\rangle) \Rightarrow \text{ZX=Y error}$$

have diagnosed error on 1st qubit
 → correct with appropriate unitary

Encoder:



[9,1,3] code: 9 physical qubits
 1 logical qubit
 $(3-1)/2=1$ arbitrary error corrected

not most efficient code: [7,1,3] and [5,1,3]
 cannot compute easily (logical X, Z OK
 logical H, CNOT, T hard)