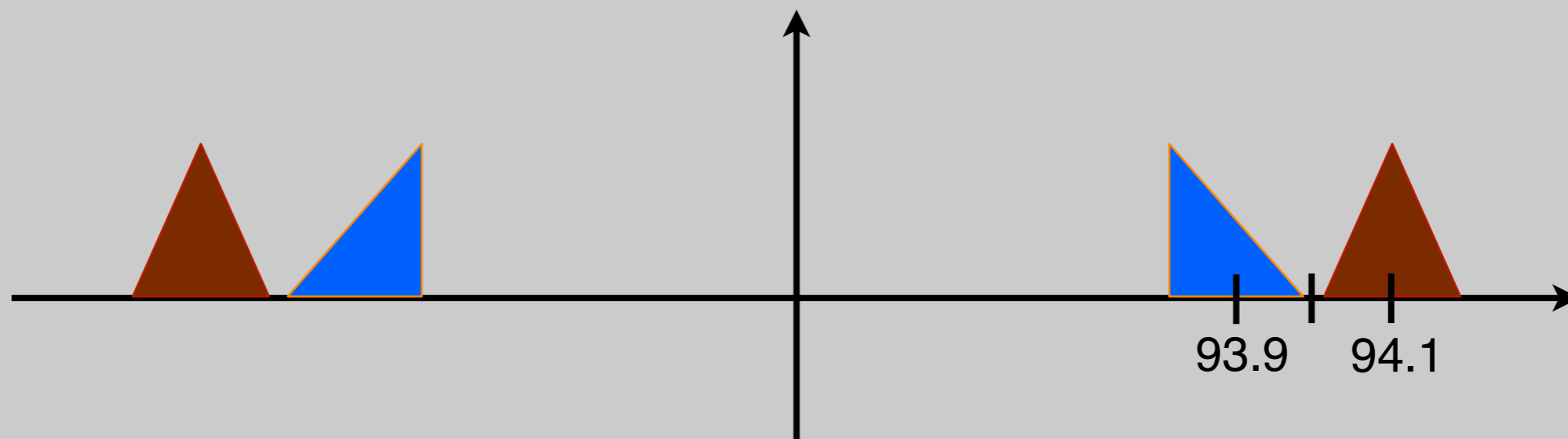


SDR Stuff

- Samples you measure from the SDR are **COMPLEX!** WHY?
- Aren't physical signals real??????

SDR Stuff

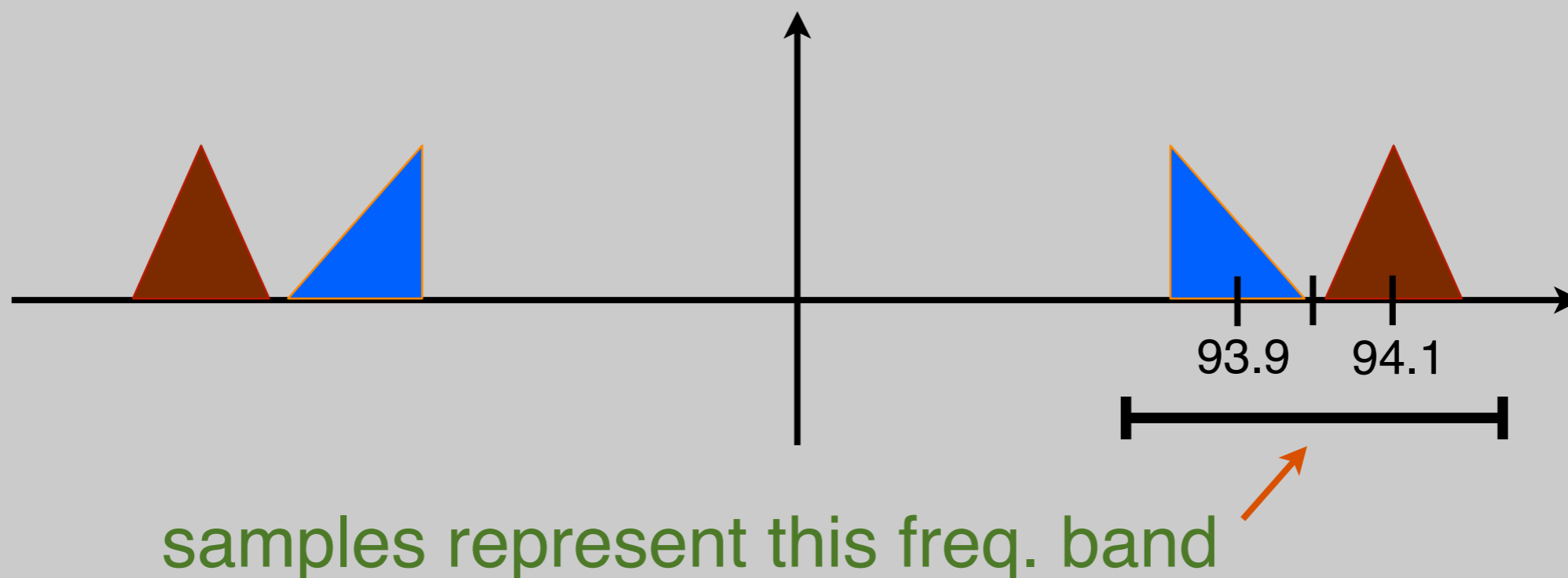
- Samples you measure from the SDR are **COMPLEX!** WHY?
- Aren't physical signals real??????



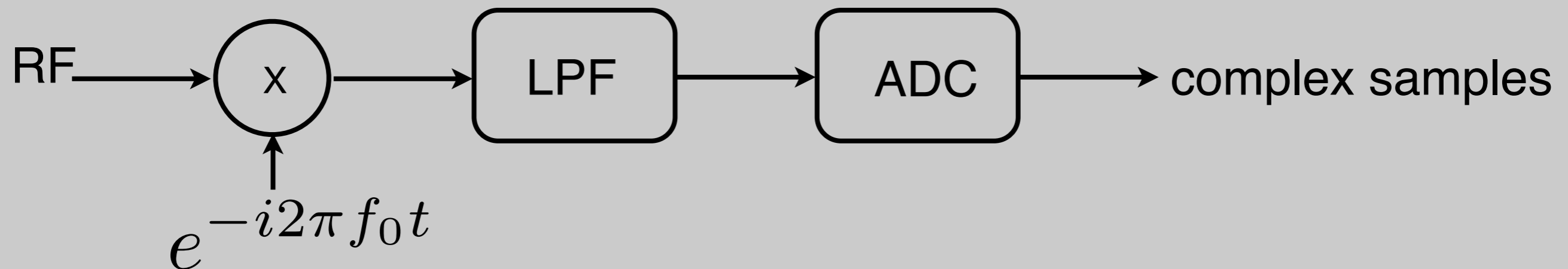
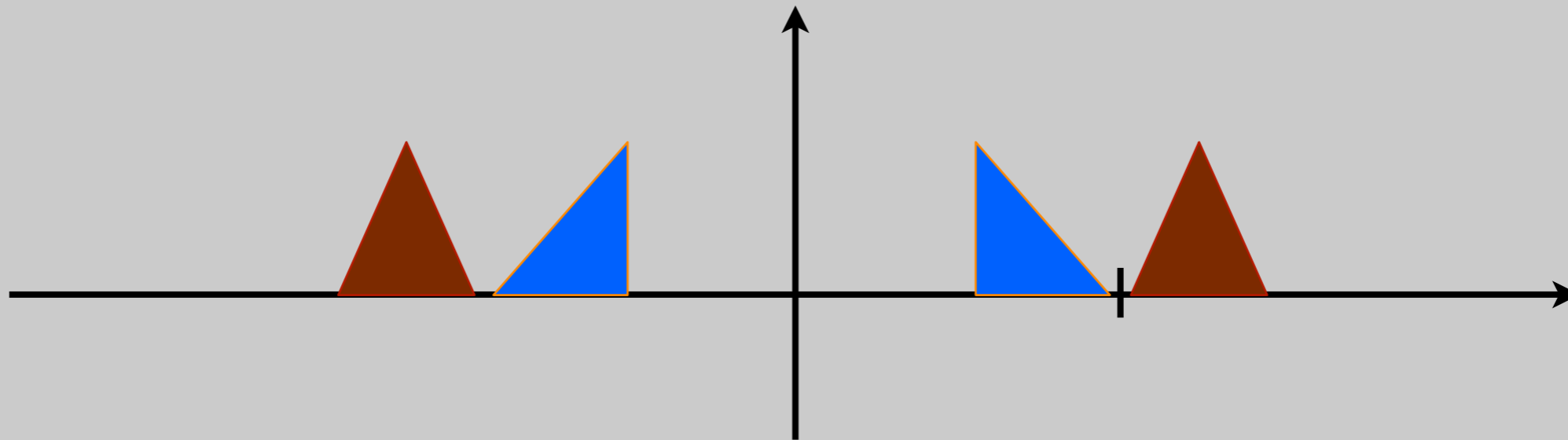
SDR Stuff

- With the SDR we look at part of the spectrum
- Example:

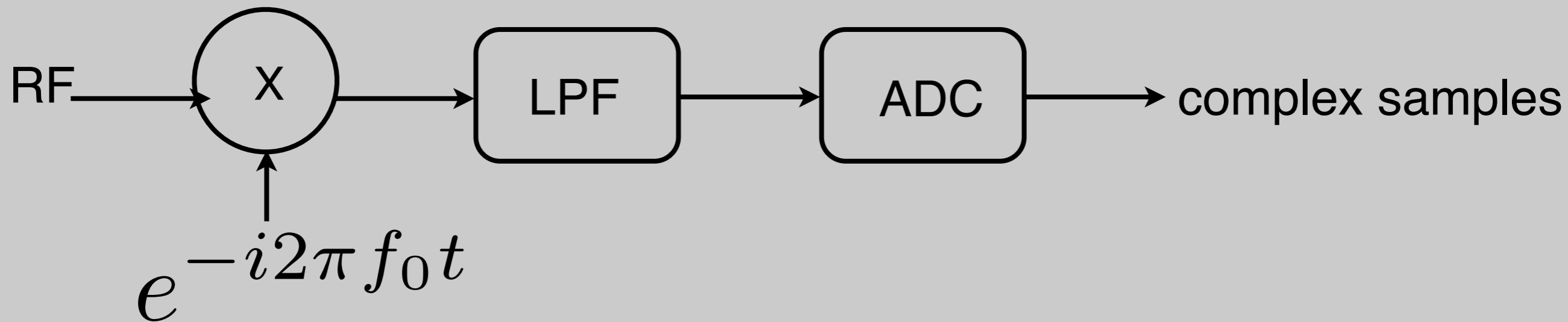
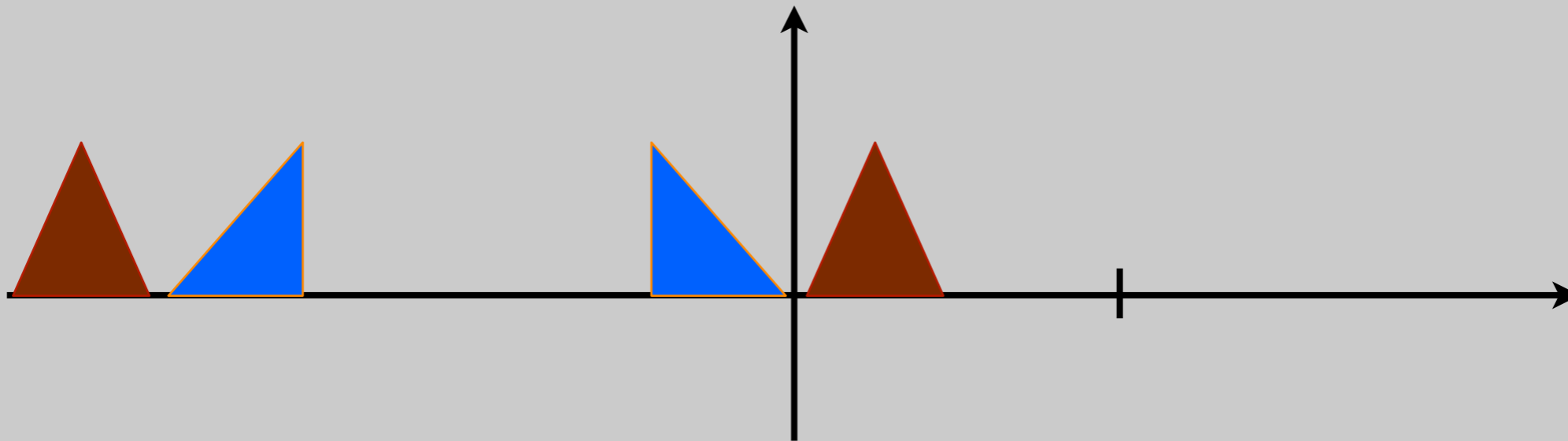
```
>> rtl_sdr -f 94e6 -s 5e5
```



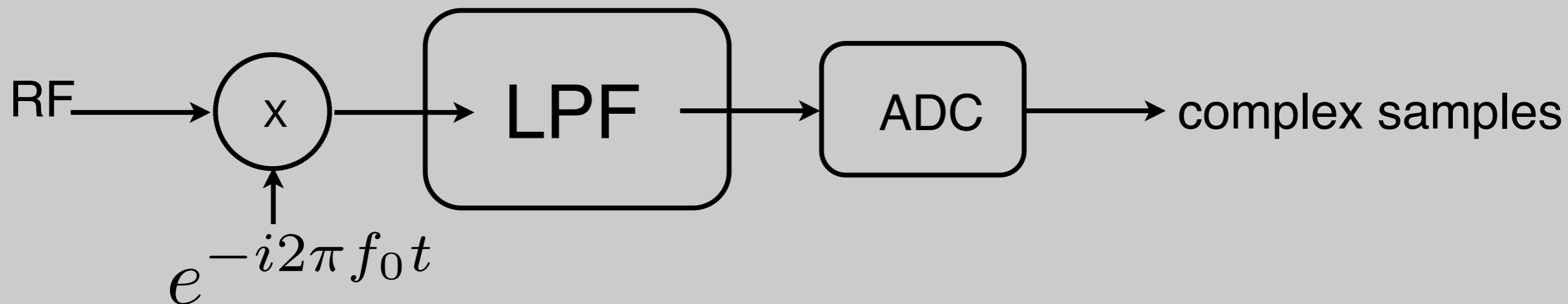
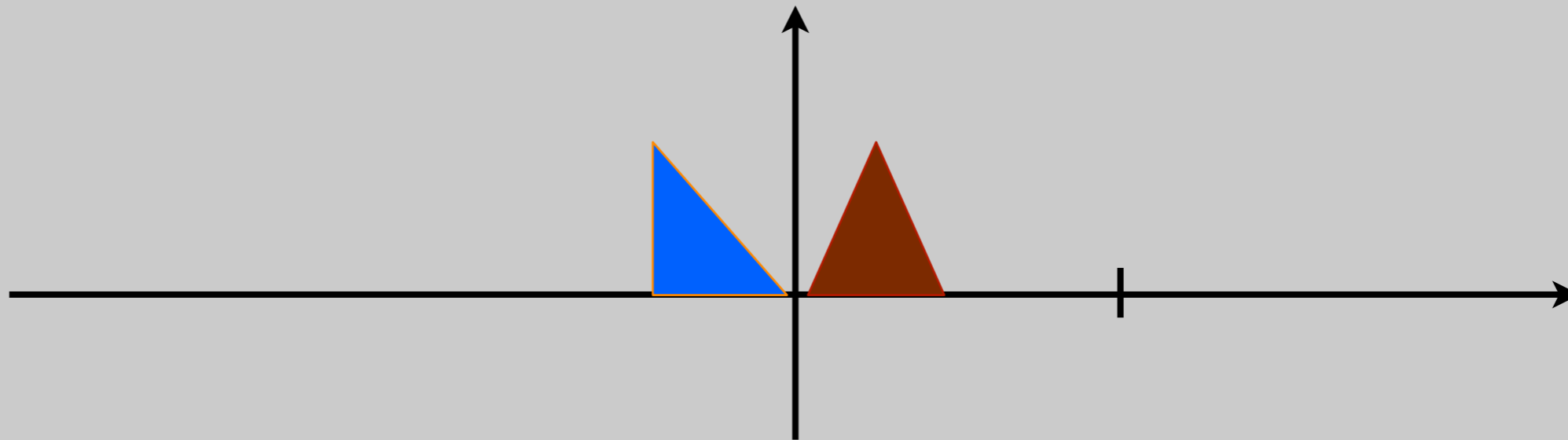
- How is it implemented?



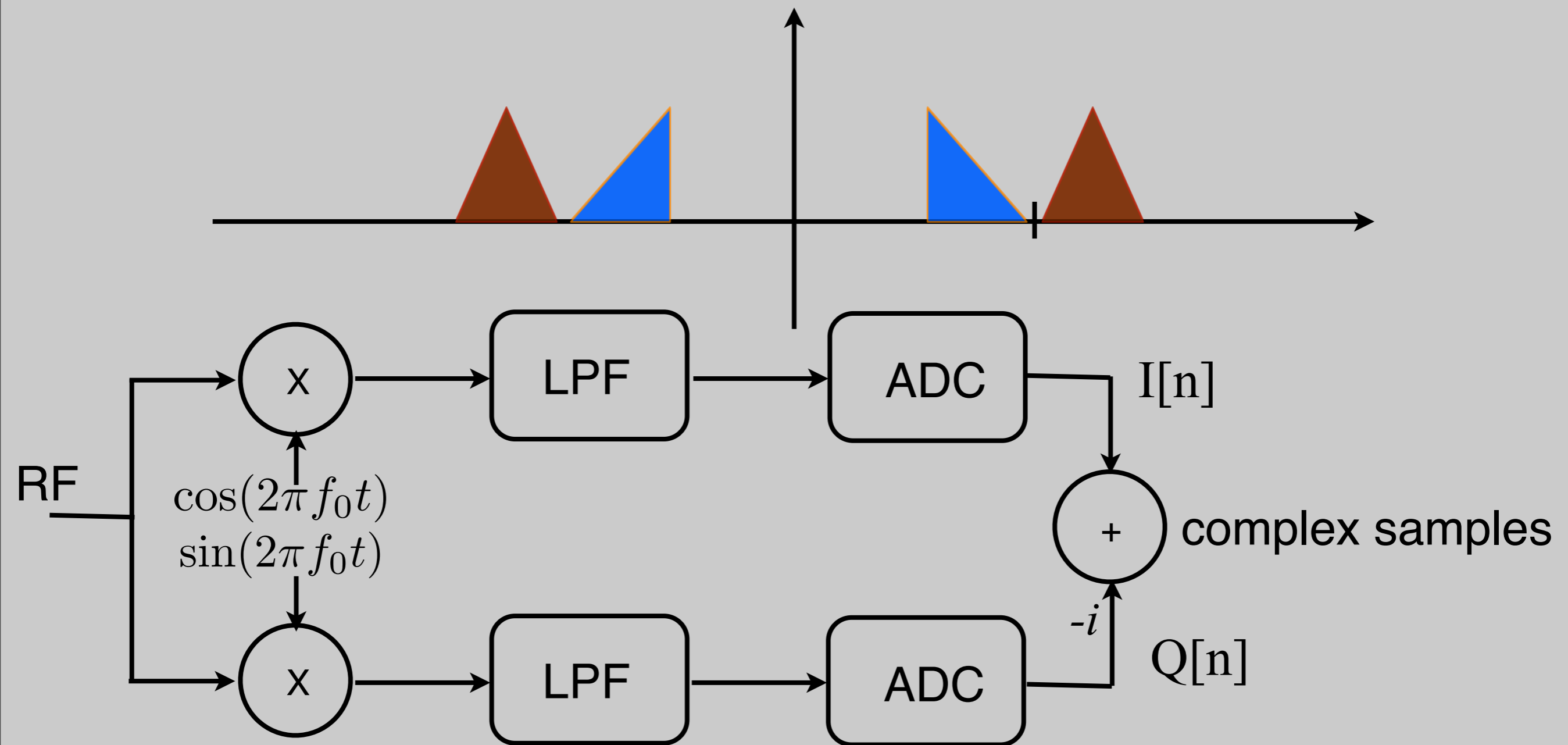
- How is it implemented?



- How is it implemented?

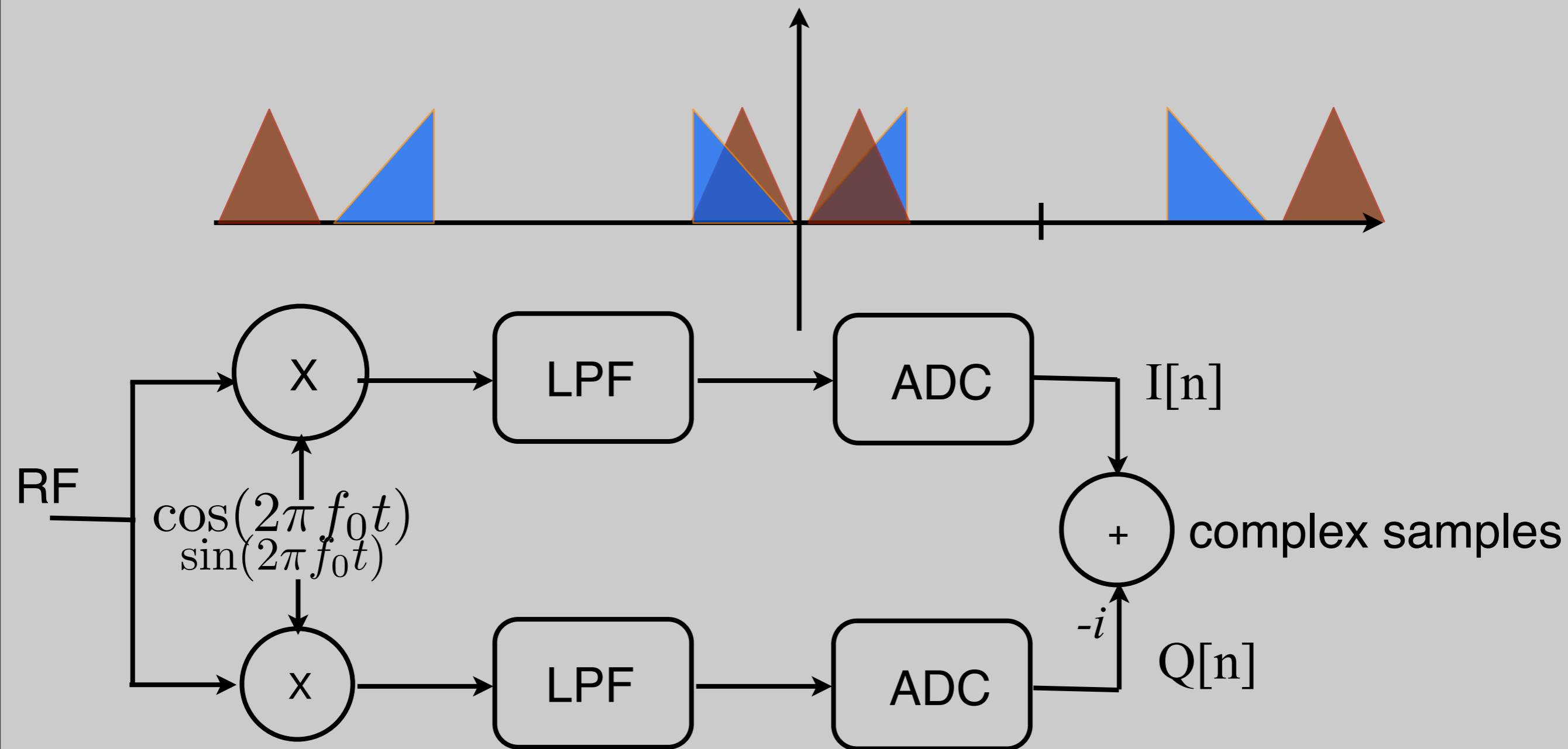


- How is it physically implemented?



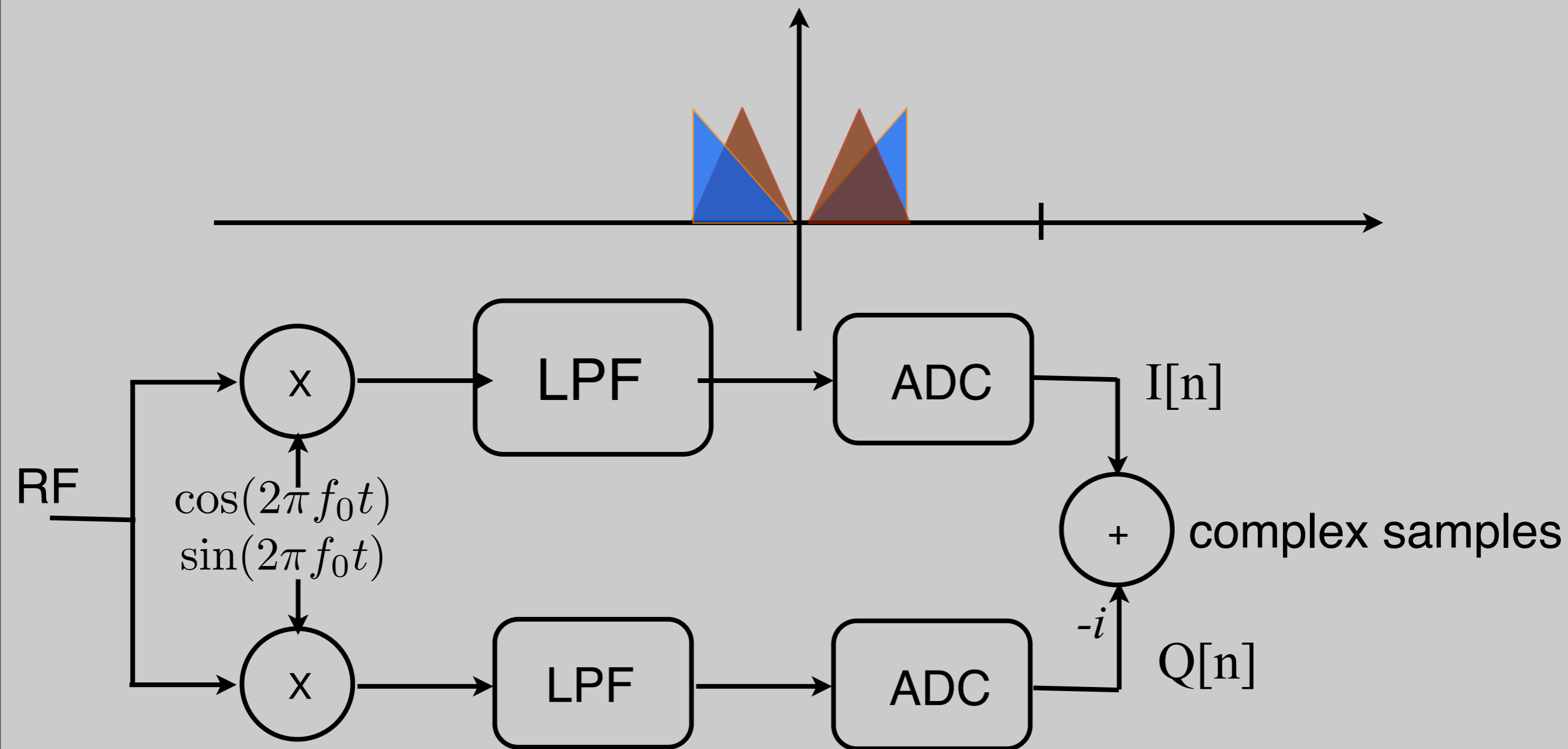
$$e^{-i2\pi f_0 t} = \cos(2\pi f_0 t) - i \sin(2\pi f_0 t)$$

- How is it physically implemented?



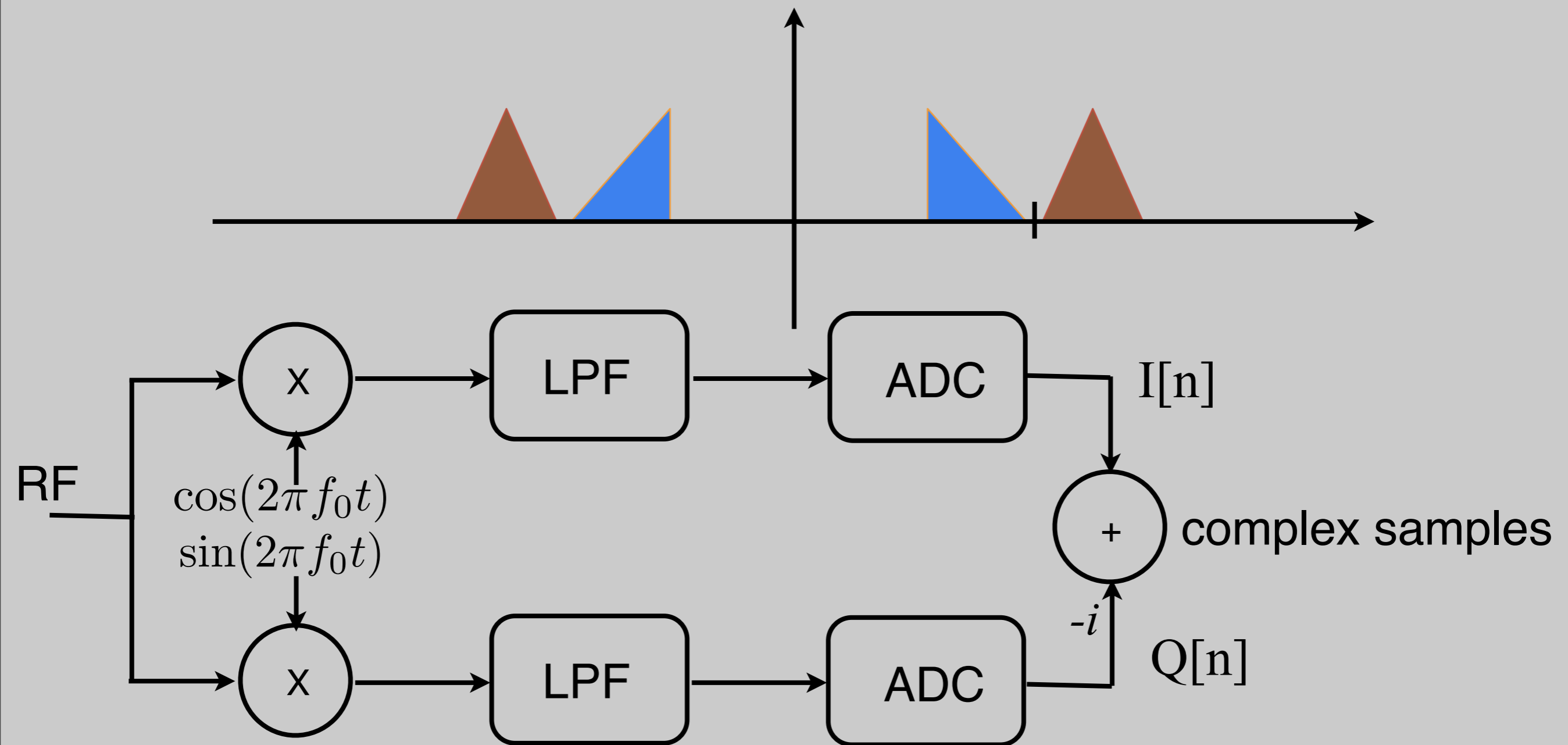
$$e^{-i2\pi f_0 t} = \cos(2\pi f_0 t) - i \sin(2\pi f_0 t)$$

- How is it physically implemented?



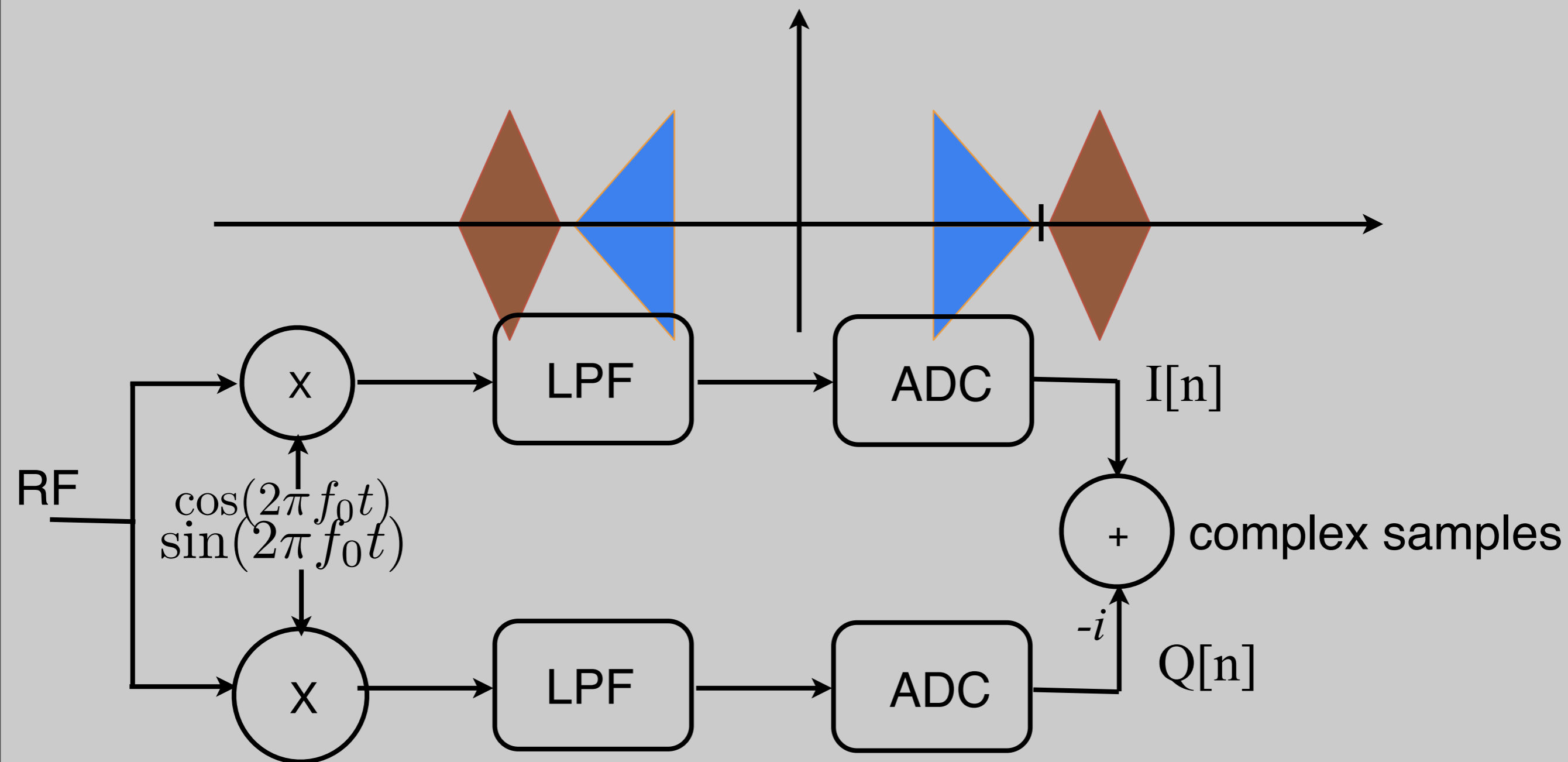
$$e^{-i2\pi f_0 t} = \cos(2\pi f_0 t) - i \sin(2\pi f_0 t)$$

- How is it physically implemented?



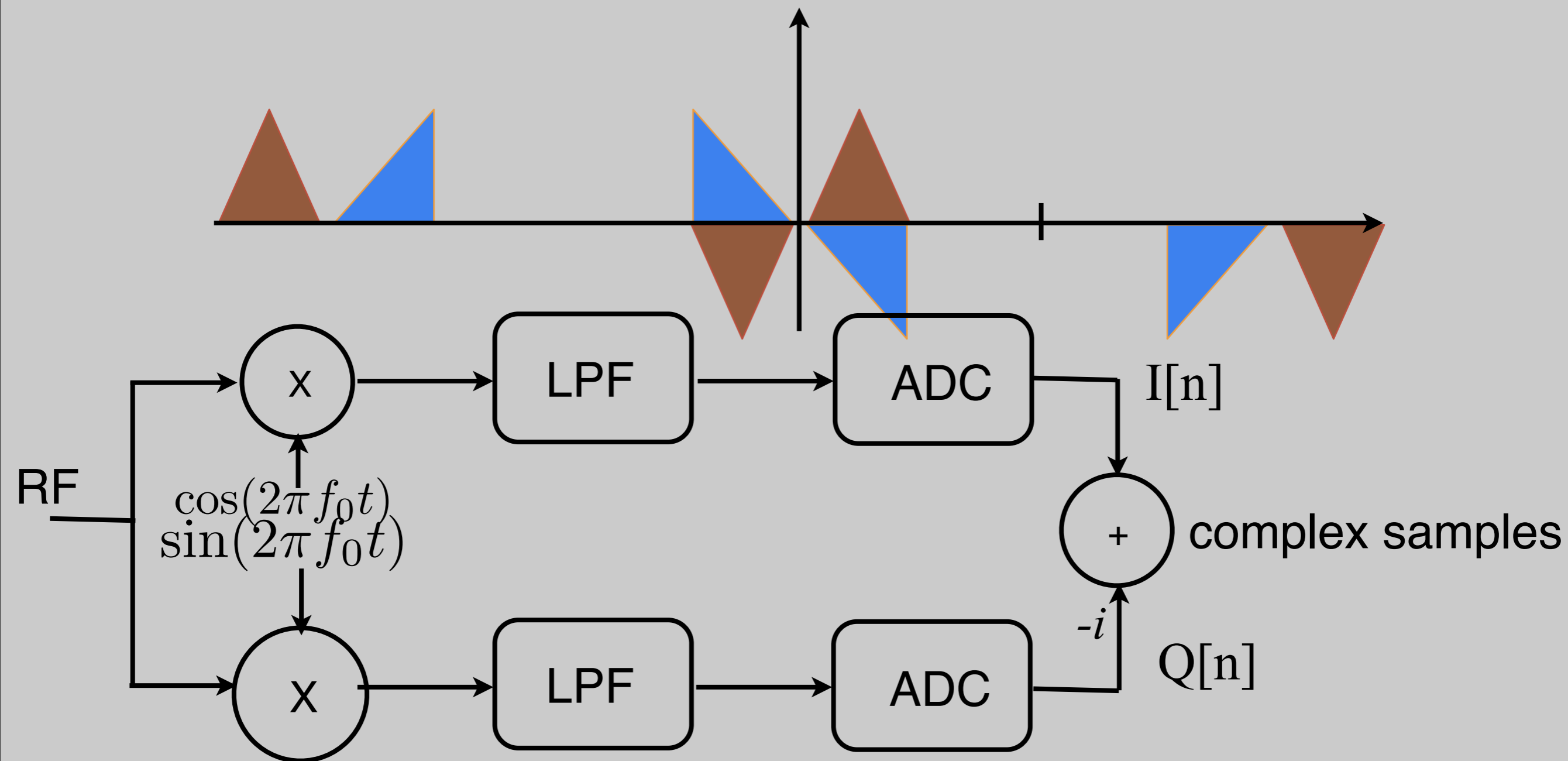
$$e^{-i2\pi f_0 t} = \cos(2\pi f_0 t) - i \sin(2\pi f_0 t)$$

- How is it physically implemented?



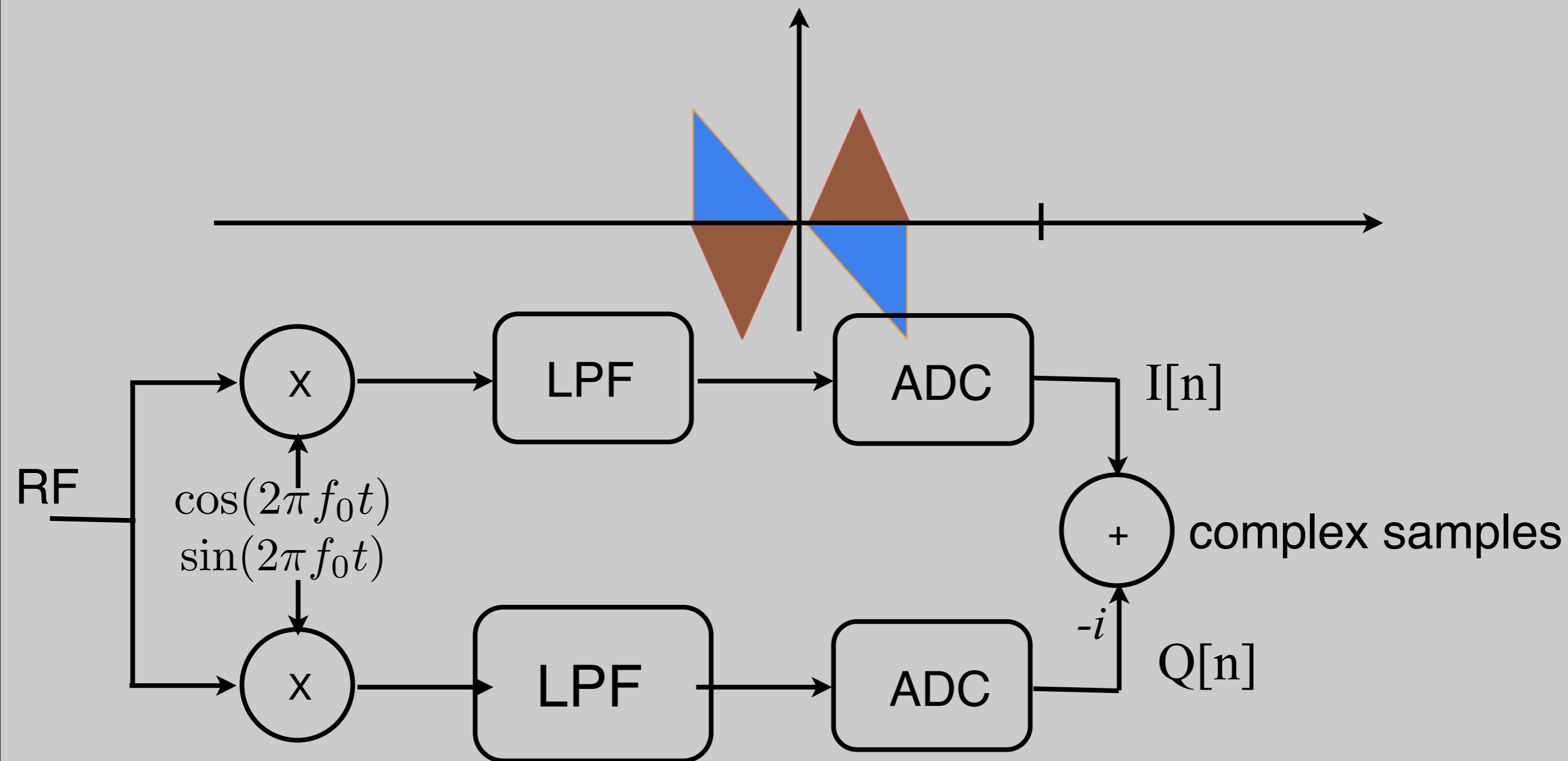
$$e^{-i2\pi f_0 t} = \cos(2\pi f_0 t) - i \sin(2\pi f_0 t)$$

- How is it physically implemented?



$$e^{-i2\pi f_0 t} = \cos(2\pi f_0 t) - i \sin(2\pi f_0 t)$$

- How is it physically implemented?



$$e^{-i2\pi f_0 t} = \cos(2\pi f_0 t) - i \sin(2\pi f_0 t)$$

SDR Stuff

