

Lecture 25: Register Allocation

[Adapted from notes by R. Bodik and G. Necula]

Administrivia:

- HW 7 due tonight.
- HKN survey on Friday. *Bonus points offered for taking it!*
- Later this week, I'll send out arrangements for signups during RRR week for short oral presentations from each group.

Topics:

- Memory Hierarchy Management
- Register Allocation:
 - * Register interference graph
 - * Graph coloring heuristics
 - * Spilling
- Cache Management

Last modified: Wed Nov 28 10:32:10 2012

CS164: Lecture #25 1

The Memory Hierarchy

Computers employ a variety of memory devices, trading off capacity, persistence, and speed:

Device	Access time	Capacity
Registers	1 cycle	256-2000 bytes
Cache	1-100 cycles	256KB-16MB
Main memory	150-1000 cycles	32MB — >16GB
Disk	0.5-10M cycles	10GB — > 1TB
Disk farm	...	> 3PB

Last modified: Wed Nov 28 10:32:10 2012

CS164: Lecture #25 2

Managing the Memory Hierarchy

- Programs are written as if there are only two kinds of memory: main memory and disk (variables and files).
- Programmer is responsible for moving data from disk to memory.
- Hardware is responsible for moving data between memory and caches
- Compiler is responsible for moving data between memory and registers (which the programmer usually doesn't see).
- Cache and register sizes are growing slowly: important to manage them well.
- Processor speed improves faster than memory speed and disk speed ???
- The cost of a cache miss is growing, and the widening gap is bridged with more caches.

Last modified: Wed Nov 28 10:32:10 2012

CS164: Lecture #25 3

The Register Allocation Problem

- Our intermediate code style uses temporaries profligately, simplifying code generation and optimization, but complicating final translation to assembly
- Hence, the register allocation problem:
 - Rewrite the intermediate code to use fewer temporaries than there are machine registers
- So we must assign more temporaries to a register, without changing the program behavior

Last modified: Wed Nov 28 10:32:10 2012

CS164: Lecture #25 4

An Example

Consider the program

```
a := c + d
e := a + b
f := e - 1
```

assuming that assumption that *a* and *e* die after use. Then,

- Can reuse *a* after *a + b*
- Same with temporary *e* after *e - 1*
- Can allocate *a*, *e*, and *f* all to one register (*r1*):

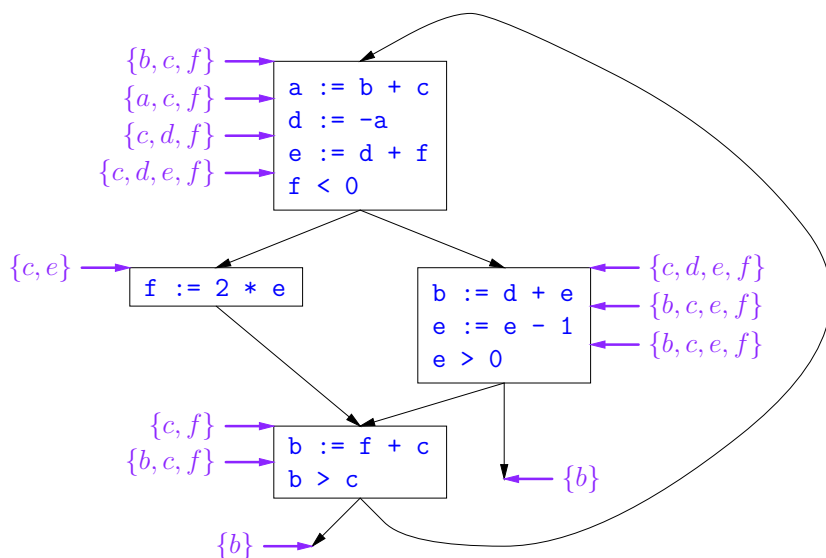
```
r1 := c + d
r1 := r1 + b
r1 := r1 - 1
```

Basic Register Allocation Idea

- So in general, since the value in a dead temporary is not needed for the rest of the computation,
 - Any set of temporaries can share a single physical register if at most one is alive at any program point.
- This rule is easy to apply to basic blocks. General CFGs are considerably trickier.

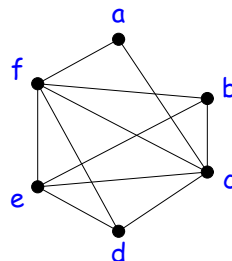
Going Global: Allocation in CFGs (I)

First step is to compute live variables before each statement. In this example, assume that variable *b* is live at exit.



Allocation in CFGs (II): Register Interference Graphs

- The sets in the previous slide indicate sets of virtual registers that are simultaneously alive at all points in the program, and therefore cannot share a physical register.
- Can summarize all these sets by constructing an undirected graph with a node for each virtual register, and an edge between any two virtual registers that appear together in the same set somewhere in the program.
- Call this the *register interference graph (RIG)*.



- The RIG extracts exactly the information needed to characterize legal register assignments
- Gives global (over the entire CFG) picture of the register requirements

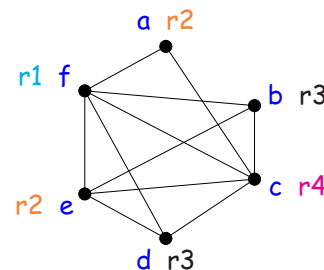
Allocation in CFGs (III): Graph Coloring

- A *coloring* of a graph is an assignment of colors to nodes, such that nodes connected by an edge have different colors.
- A graph is *k-colorable* if it has a coloring with *k* colors.
- In our problem, *colors = registers*. That is,

If we have *k* available machine registers and our register interference graph is *k*-colorable, then the coloring gives us a register assignment.

Graph Coloring: Example

Consider the sample RIG:



- There is *no* coloring with fewer than 4 colors
- There *are* 4-colorings of this graph

Before	.	After
A: a := b + c		A: r2 := r3 + r4
d := -a		r3 := -r2
e := d + f		r2 := r3 + r1
if f >= 0 jump C		if r1 >= 0 jump C
B: f := 2 * e		B: r1 := 2 * r2
jump D		jump D
C: b := d + e		C: r3 := r3 + r2
e := e - 1		r2 := r2 - 1
if e <= 0 jump E		if r2 <= 0 jump E
D: b := f + c		D: r3 := r1 + r4
if b <= c jump A		if r3 <= r4 jump A
E:		E:

Allocation in CFGs (III): Computing Graph Colorings

- The remaining problem is to compute a coloring for the interference graph.
- Unfortunately, this problem is hard (NP-hard). No fast algorithms are known,
- And besides, a coloring might not exist for a given number of registers.
- For (1), we'll use heuristics.

Graph Coloring Heuristic: Motivation

- Observation:
 - Pick a node *t* with $< k$ neighbors in RIG.
 - Eliminate *t* and its edges from RIG.
 - If the resulting graph has a *k*-coloring then so does the original graph.
- Reason: whatever $n \leq k - 1$ colors *t*'s neighbors have, we know we'll always be able to color *t* (since there are *k* colors). Therefore, eliminating *t* cannot affect the colorability of the other nodes.

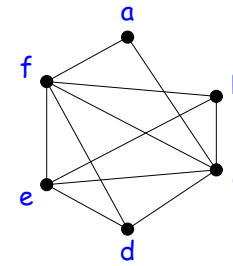
Graph Coloring Heuristic

The following works well in practice:

- Pick a node t with $< k$ neighbors.
- Push t on a stack and remove it from the RIG.
- Repeat until the graph has no nodes.
- Then start popping nodes from the stack and adding them back to the graph, assigning colors to each as we go (starting with the last node added).
- At each step, we know we can pick a color different from those assigned to already colored neighbors, by the observation on the last slide.

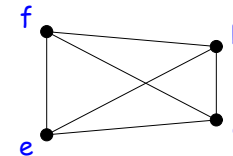
Example of Using the Heuristic (I)

Start with our sample RIG and with $k = 4$:



Stack: []

Now remove a and then d , giving

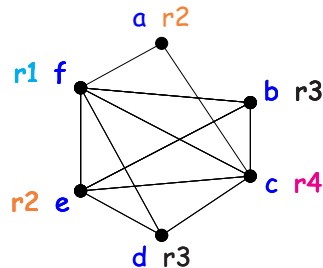


Stack: [d, a] (top on left)

Now all nodes have < 4 neighbors; remove. Stack is [f, e, b, c, d, a].

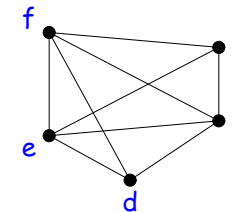
Graph Coloring Example (2)

- Now we assign colors ...er, ...registers to: f, e, b, c, d, a in that order.
- At each step, guaranteed there's a free register.



Spilling

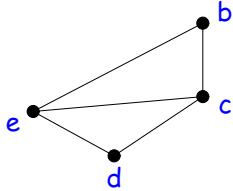
- What if during simplification we get to a state where all nodes have k or more neighbors?
- Example: try to find a 3-coloring of the RIG we've been using. After removing a , we get



- ... and now we are stuck, since all nodes have ≥ 3 neighbors.
- So, pick a node as a candidate for *spilling*, that is, to reside in memory.

Example of Spilling

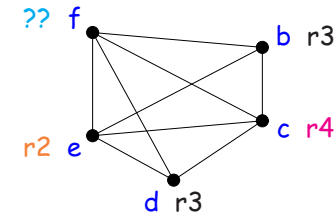
- Assume that f is picked as a candidate. When we remove it from the graph:



- Simplification now succeeds. We end up with the stack $[e, c, b, d, f, a]$

Example of Spilling (II)

- On the assignment phase we get to the point when we have to assign a color to f
- Sometimes, it just happens that among the 4 neighbors of f we use < 3 colors (*optimistic coloring*) ...



- ...but not this time.

Example of Spilling (III)

- Since optimistic coloring failed we must spill register f : Allocate a memory location call it fa as the *home* of f (typically in the current stack frame).

- Before each operation that uses f , insert

```
f := *fa
```

- After each operation that defines (assigns to) f , insert

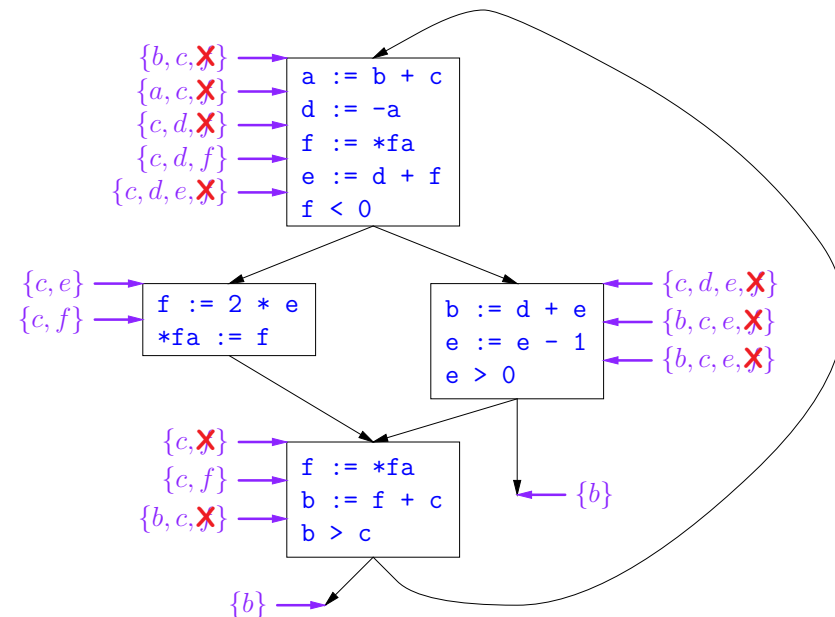
```
*fa := f
```

- This gives us:

```
A: a := b + c
d := -a
f := *fa
e := d + f
if f >= 0 jump C
B: f := 2 * e
*fa := f
jump D
```

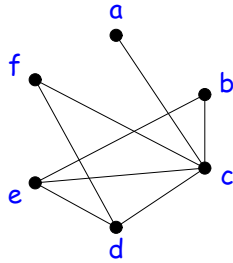
```
C: b := d + e
e := e - 1
if e <= 0 jump E
f := *fa
D: b := f + c
if b <= c jump A
E:
```

Recomputing Liveness Information



A New RIG

- The new liveness information is almost as before, except that that `f` is live only
 - Between an `f := *fa` and the next instruction, and
 - Between a `store f, fa` and the preceding instruction.
- That is, spilling reduces the live range of `f`, and thus the registers it interferes with, giving us this RIG:



- And this graph is 3-colorable (left to the reader).

What to Spill?

- In general, additional spills might be required to allow a coloring.
- The tricky part is deciding what to spill. Possible heuristics:
 - Spill temporaries with most conflicts
 - Spill temporaries with few definitions and uses
 - Avoid spilling in inner loops

Caches

- Compilers are very good at managing registers (much better than programmers: the `C register` declaration is really obsolete).
- Caches are another matter. The problem is still left to programmers, and it is still an open question whether compilers can do much in general to improve performance
- But they can (and a few do) perform some simple cache optimization

Cache Optimization

- Consider the loop

```
for(j = 1; j < 10; j += 1)
  for(i = 1; i < 1000000; i += 1)
    a[i] *= b[i]
```
- Why does this have terrible cache performance?
- On the other hand,

```
for(i = 1; i < 1000000; i += 1)
  for(j = 1; j < 10; j += 1)
    a[i] *= b[i]
```

computes the same thing, but with much better (possibly 10x) performance [again why?].
- Compilers can do this: *loop interchange*.

Cache Optimization (II)

- Other kinds of memory layout decisions possible, such as *padding* rows of a matrix with extra bytes to avoid cache conflicts when traversing a column (or row in FORTRAN) of a matrix. [Why might that help?]
- *Prefetching* instructions on some hardware can inform cache of anticipated future memory fetches so that they can proceed in parallel. Again, it is possible for compilers to supply these to a limited extent.

Summary

- Both because it eases code generation, greatly improves performance, and because it is difficult for programmers to do it for themselves, register allocation is a "must have" optimization in production compilers for standard procedural languages.
- Graph coloring is a powerful register allocation scheme that compilers can apply automatically
- Good cache management could give even larger payoffs, but so far is difficult.