

These lecture notes are based on notes originally written by Nikhil Sharma and on the textbook *Artificial Intelligence: A Modern Approach*.

Last updated: April 27, 2023 (re-numbered Notes 19-26 to align with lectures)

In this note we will cover how to optimize functions using the gradient descent algorithm. We will also learn about a classification method called logistic regression and how it can be extended to multi-class classification. This will motivate our further discussion on neural networks and backpropagation.

Optimization

We saw in the previous note in the linear regression method that we can derive a closed form solution for the optimal weights by just differentiating the loss function and setting the gradient equal to zero. In general though, a closed form solution may not exist for a given objective function. In cases like that we have to use **gradient-based methods** to find the optimal weights. The idea behind this is that the gradient points towards the direction of steepest increase of the objective. We maximize a function by moving towards the steepest **ascent**, and we minimize a function by moving towards the steepest **descent** direction.

Gradient ascent is used if the objective is a function which we try to maximize.

```
Randomly initialize  $\mathbf{w}$ 
while  $\mathbf{w}$  not converged do
|  $\mathbf{w} \leftarrow \mathbf{w} + \alpha \nabla_{\mathbf{w}} f(\mathbf{w})$ 
end
```

Algorithm 1: Gradient ascent

Gradient descent is used if the objective is a loss function that we are trying to minimize. Notice that this only differs from gradient ascent in that we follow the opposite direction of the gradient.

```
Randomly initialize  $\mathbf{w}$ 
while  $\mathbf{w}$  not converged do
|  $\mathbf{w} \leftarrow \mathbf{w} - \alpha \nabla_{\mathbf{w}} f(\mathbf{w})$ 
end
```

Algorithm 2: Gradient descent

At the beginning, we initialize the weights randomly. We denote the learning rate, which captures the size of the steps we make towards the gradient direction, with α . For most functions in the machine learning world it is hard to come up with an optimal value for the learning rate. In reality, we want a learning rate that is large enough so that we move fast towards the correct direction but at the same time small enough so that the method does not diverge. A typical approach in machine learning literature is to start gradient descent with a relatively large learning rate and reduce the learning rate as the number of iterations increases (**learning rate decay**).

If our dataset has a large number of n data points then computing the gradient as above in each iteration of the gradient descent algorithm might be too computationally intensive. As such, approaches like stochastic and batch gradient descent have been proposed. In **stochastic gradient descent** at each iteration of the

algorithm we use only one data point to compute the gradient. That one data point is each time randomly sampled from the dataset. Given that we only use one data point to estimate the gradient, stochastic gradient descent can lead to noisy gradients and thus make convergence a bit harder. **Mini-batch gradient descent** is a compromise between stochastic and the ordinary gradient descent algorithm as it uses a batch of size m of data points each time to compute the gradients. The batch size m is a user specified parameter.

Let's see an example of gradient descent on a model we've seen before—linear regression. Recall that in linear regression, we defined our loss function as

$$Loss(h_{\mathbf{w}}) = \frac{1}{2} \|\mathbf{y} - \mathbf{X}\mathbf{w}\|_2^2$$

Linear regression has a celebrated closed form solution $\hat{\mathbf{w}} = (\mathbf{X}^T \mathbf{X})^{-1} \mathbf{X}^T \mathbf{y}$, which we saw in the last note. However, we could have also chosen to solve for the optimal weights by running gradient descent. We'd calculate the gradient of our loss function as

$$\nabla_{\mathbf{w}} Loss(h_{\mathbf{w}}) = -\mathbf{X}^T \mathbf{y} + \mathbf{X}^T \mathbf{X} \mathbf{w}$$

Then, we use this gradient to write out the gradient descent algorithm for linear regression:

```

Randomly initialize  $\mathbf{w}$ 
while  $\mathbf{w}$  not converged do
  |  $\mathbf{w} \leftarrow \mathbf{w} - \alpha(-\mathbf{X}^T \mathbf{y} + \mathbf{X}^T \mathbf{X} \mathbf{w})$ 
end

```

Algorithm 3: Least squares gradient descent

It is a good exercise to create a linear regression problem and confirm that the closed form solution is the same as the converged solution you obtain from gradient descent.

Logistic Regression

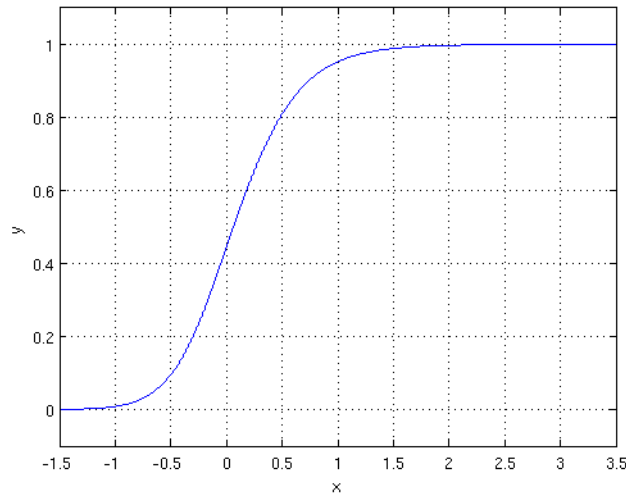
Let's again think about our previous method of linear regression. In it, we assumed that the output is a numeric real-valued number.

What if we instead want to predict a categorical variable? Logistic regression allows us to turn a linear combination of our input features into a probability using the logistic function:

$$h_{\mathbf{w}}(\mathbf{x}) = \frac{1}{1 + e^{-\mathbf{w}^T \mathbf{x}}}$$

It is important to note that though logistic regression is named as regression, this is a misnomer. Logistic regression is used to solve classification problems, not regression problems.

The logistic function $g(z) = \frac{1}{1+e^{-z}}$ is frequently used to model binary outputs. Note that the output of the function is always between 0 and 1, as seen in the following figure:



Intuitively, the logistic function models the probability of a data point belonging in class with label 1. The reason for that is that the output of the logistic function is bounded between 0 and 1, and we want our model to capture the probability of a feature having a specific label. For instance, after we have trained logistic regression, we obtain the output of the logistic function for a new data point. If the value of the output is greater than 0.5 we classify it with label 1 and we classify it with label 0 otherwise. More specifically, we model the probabilities as follows:

$$P(y = +1|\mathbf{f}(\mathbf{x}); \mathbf{w}) = \frac{1}{1 + e^{-\mathbf{w}^T \mathbf{f}(\mathbf{x})}}$$

and

$$P(y = -1|\mathbf{f}(\mathbf{x}); \mathbf{w}) = 1 - \frac{1}{1 + e^{-\mathbf{w}^T \mathbf{f}(\mathbf{x})}},$$

where we use $\mathbf{f}(\mathbf{x})$ to denote the function (which often is the identity) of the feature vector \mathbf{x} and the semi-colon ; denotes that the probability is a function of the parameter weights \mathbf{w} .

A useful property to note is that the logistic function is that the derivative is $g'(z) = g(z)(1 - g(z))$.

How do we train the logistic regression model? The loss function for logistic regression is the $L2$ loss $Loss(\mathbf{w}) = \frac{1}{2}(\mathbf{y} - h_{\mathbf{w}}(\mathbf{x}))^2$. Since a closed form solution is not possible for the logistic regression, we estimate the unknown weights \mathbf{w} via gradient descent. For that we need to compute the gradient of the loss function using the chain rule of differentiation. The gradient of the loss function with respect to the weight of coordinate i is given by:

$$\frac{\partial}{\partial w_i} \frac{1}{2}(\mathbf{y} - h_{\mathbf{w}}(\mathbf{x}))^2 = (\mathbf{y} - h_{\mathbf{w}}(\mathbf{x})) \frac{\partial}{\partial w_i} (\mathbf{y} - h_{\mathbf{w}}(\mathbf{x})) = -(\mathbf{y} - h_{\mathbf{w}}(\mathbf{x})) h_{\mathbf{w}}(\mathbf{x})(1 - h_{\mathbf{w}}(\mathbf{x})) x_i,$$

where we used the fact that the gradient of the logistic function $g(z) = \frac{1}{1+e^{-z}}$ satisfies $g'(z) = g(z)(1 - g(z))$. We can then estimate the weights using gradient descent and then predict, as detailed above.

Multi-Class Logistic Regression

In multi-class logistic regression, we want to classify data points into K distinct categories, rather than just two. Thus, we want to build a model that output estimates of the probabilities for a new data point to belong to each of the K possible categories. For that reason we use the **softmax function** in place of the logistic function, which models the probability of a new data point with features \mathbf{x} having label i as follows:

$$P(y = i | \mathbf{f}(\mathbf{x}); \mathbf{w}) = \frac{e^{\mathbf{w}_i^T \mathbf{f}(\mathbf{x})}}{\sum_{k=1}^K e^{\mathbf{w}_k^T \mathbf{f}(\mathbf{x})}}.$$

Note that these probability estimates add up to 1, so they constitute a valid probability distribution. We estimate the parameters \mathbf{w} to maximize the likelihood that we observed the data. Assume that we have observed n labelled data points (\mathbf{x}_i, y_i) . The likelihood, which is defined as the joint probability distribution of our samples, is denoted with $\ell(\mathbf{w}_1, \dots, \mathbf{w}_K)$ and is given by:

$$\ell(\mathbf{w}_1, \dots, \mathbf{w}_K) = \prod_{i=1}^n P(y_i | \mathbf{f}(\mathbf{x}_i); \mathbf{w}).$$

To compute the values of the parameters \mathbf{w}_i that maximize the likelihood, we compute the gradient of the likelihood function with respect to each parameter, set it equal to zero, and solve for the unknown parameters. If a closed form solution is not possible, we compute the gradient of the likelihood and we use gradient ascent to obtain the optimal values.

A common trick we do to simplify these calculations is to first take the logarithm of the likelihood function which will break the product into summations and simplify the gradient calculations. We can do this because the logarithm is a strictly increasing function and the transformation will not affect the maximizers of the function.

For the likelihood function we need a way to express the probabilities $P(y_i | \mathbf{f}(\mathbf{x}_i); \mathbf{w})$ in which $y \in \{1, \dots, K\}$. So for each data point i , we define K parameters $t_{i,k}$, $k = 1, \dots, K$ such that $t_{i,k} = 1$ if $y_i = k$ and 0 otherwise. Hence, we can now express the likelihood as follows:

$$\ell(\mathbf{w}_1, \dots, \mathbf{w}_K) = \prod_{i=1}^n \prod_{k=1}^K \left(\frac{e^{\mathbf{w}_k^T \mathbf{f}(\mathbf{x}_i)}}{\sum_{\ell=1}^K e^{\mathbf{w}_\ell^T \mathbf{f}(\mathbf{x}_i)}} \right)^{t_{i,k}}$$

and we also obtain for the log-likelihood that:

$$\log \ell(\mathbf{w}_1, \dots, \mathbf{w}_K) = \sum_{i=1}^n \sum_{k=1}^K t_{i,k} \log \left(\frac{e^{\mathbf{w}_k^T \mathbf{f}(\mathbf{x}_i)}}{\sum_{\ell=1}^K e^{\mathbf{w}_\ell^T \mathbf{f}(\mathbf{x}_i)}} \right)$$

Now that we have an expression for the objective we must estimate the \mathbf{w}_i s such that they maximize that objective.

In the example of the multi-class logistic regression the gradient with respect to \mathbf{w}_j is given by:

$$\nabla_{\mathbf{w}_j} \log \ell(\mathbf{w}) = \sum_{i=1}^n \nabla_{\mathbf{w}_j} \sum_{k=1}^K t_{i,k} \log \left(\frac{e^{\mathbf{w}_k^T \mathbf{f}(\mathbf{x}_i)}}{\sum_{\ell=1}^K e^{\mathbf{w}_\ell^T \mathbf{f}(\mathbf{x}_i)}} \right) = \sum_{i=1}^n \left(t_{i,j} - \frac{e^{\mathbf{w}_j^T \mathbf{f}(\mathbf{x}_i)}}{\sum_{\ell=1}^K e^{\mathbf{w}_\ell^T \mathbf{f}(\mathbf{x}_i)}} \right) \mathbf{f}(\mathbf{x}_i),$$

where we used the fact that $\sum_k t_{i,k} = 1$.

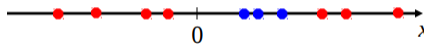
Neural Networks: Motivation

In what follows we will introduce the concept of a neural network. In doing so, we will be using some of the modeling techniques we developed for the binary logistic and multi-class logistic regression.

Non-linear Separators

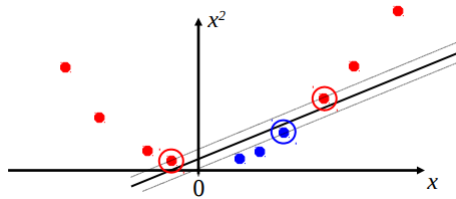
We know how to construct a model that learns a linear boundary for binary classification tasks. This is a powerful technique, and one that works well when the underlying optimal decision boundary is itself linear. However, many practical problems involve the need for decision boundaries that are nonlinear in nature, and our linear perceptron model isn't expressive enough to capture this relationship.

Consider the following set of data:



We would like to separate the two colors, and clearly there is no way this can be done in a single dimension (a single dimensional decision boundary would be a point, separating the axis into two regions).

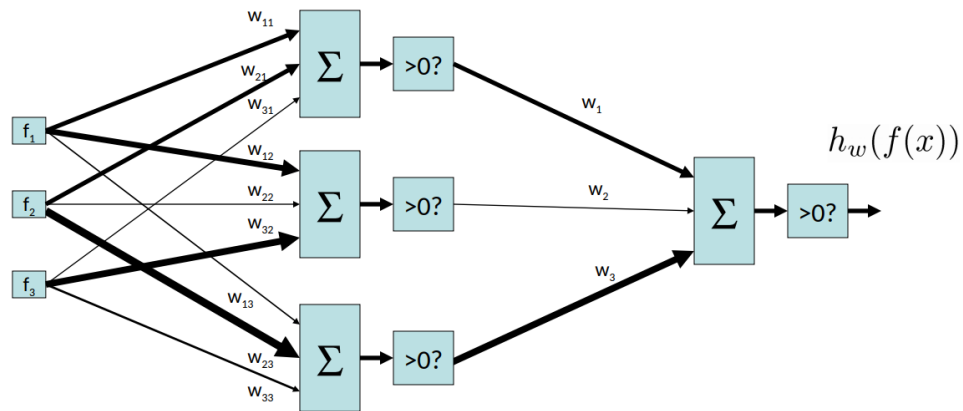
To fix this problem, we can add additional (potentially nonlinear) features to construct a decision boundary from. Consider the same dataset with the addition of x^2 as a feature:



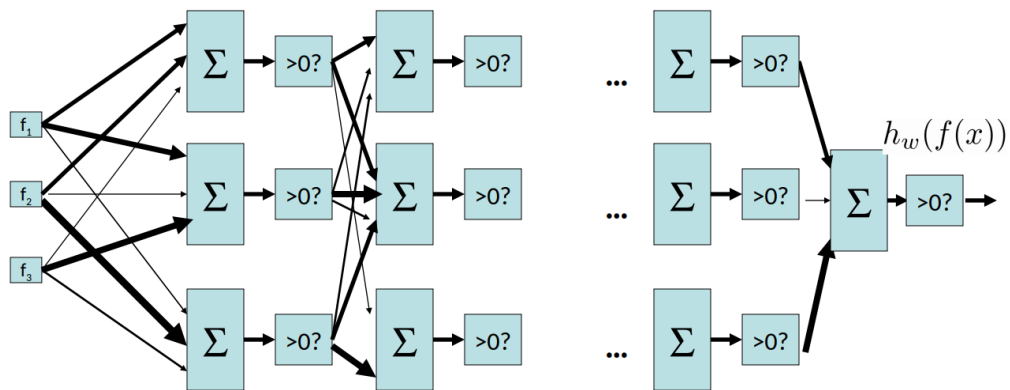
With this additional piece of information, we are now able to construct a linear separator in the two dimensional space containing the points. In this case, we were able to fix the problem by mapping our data to a higher dimensional space by manually adding useful features to data points. However, in many high-dimensional problems, such as image classification, manually selecting features that are useful is a tedious problem. This requires domain-specific effort and expertise, and works against the goal of generalization across tasks. A natural desire is to learn these featurization or transformation functions as well, perhaps using a nonlinear function class that is capable of representing a wider variety of functions.

Multi-layer Perceptron

Let's examine how we can derive a more complex function from our original perceptron architecture. Consider the following setup, a two-layer perceptron, which is a perceptron that takes as input the outputs of another perceptron.



In fact, we can generalize this to an N-layer perceptron:



With this additional structure and weights, we can express a much wider set of functions.

By increasing the complexity of our model, we in turn greatly increase its expressive power. Multi-layer perceptrons give us a generic way to represent a much wider set of functions. In fact, a multi-layer perceptron is a **universal function approximator** and can represent *any* real function, leaving us only with the problem of selecting the best set of weights to parameterize our network. This is formally stated below:

Theorem. (Universal Function Approximators) A two-layer neural network with a sufficient number of neurons can approximate any continuous function to any desired accuracy.

Measuring Accuracy

The accuracy of the binary perceptron after making n predictions can be expressed as:

$$l^{acc}(\mathbf{w}) = \frac{1}{n} \sum_{i=1}^n (\text{sgn}(\mathbf{w} \cdot \mathbf{f}(x_i)) == y_i)$$

where x_i is data point i , \mathbf{w} is our weight vector, \mathbf{f} is our function that derives a feature vector from a raw data point, and y_i is the actual class label of x_i . In this context, $\text{sgn}(x)$ represents an **indicator function**, which

evaluates to -1 when x is negative, and 1 when x is positive. Taking this notation into account, we can note that our accuracy function above is equivalent to dividing the total number of *correct* predictions by the raw total number of predictions.

Sometimes, we want an output that is more expressive than a binary label. It then becomes useful to produce a probability for each of the N classes we want to classify into, which reflects our a degree of certainty that the data point belongs to each of the possible classes. To do so, as we did in the multi-class logistic regression case, we transition from storing a single weight vector to storing a weight vector for *each* class j , and estimate probabilities with the softmax function. The softmax function defines the probability of classifying $x^{(i)}$ to class j as:

$$\sigma(\mathbf{x}_i)_j = \frac{e^{\mathbf{f}(\mathbf{x}_i)^T \mathbf{w}_j}}{\sum_{\ell=1}^N e^{\mathbf{f}(\mathbf{x}_i)^T \mathbf{w}_\ell}} = P(y_i = j | \mathbf{f}(\mathbf{x}_i); \mathbf{w}).$$

Given a vector that is output by our function f , softmax performs normalization to output a probability distribution. To come up with a general loss function for our models, we can use this probability distribution to generate an expression for the likelihood of a set of weights:

$$\ell(\mathbf{w}) = \prod_{i=1}^n P(y_i | \mathbf{f}(\mathbf{x}_i); \mathbf{w}).$$

This expression denotes the likelihood of a particular set of weights explaining the observed labels and data points. We would like to find the set of weights that maximizes this quantity. This is identical to finding the maximum of the log-likelihood expression (since log is a monotone function, the maximizer of one will be the maximizer of the other):

$$\log \ell(\mathbf{w}) = \log \prod_{i=1}^n P(y_i | x_i; \mathbf{w}) = \sum_{i=1}^n \log P(y_i | \mathbf{f}(\mathbf{x}_i); \mathbf{w}).$$

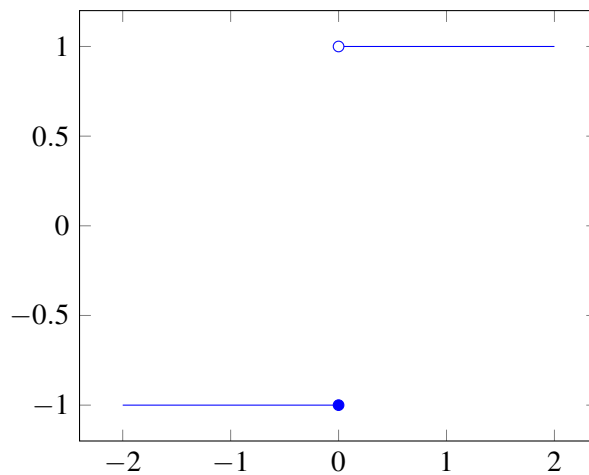
Depending on the application, the formulation as a sum of log probabilities may be more useful. In the case where the log-likelihood is differentiable with respect to the weights, we can optimize it using gradient ascent.

Multi-layer Feedforward Neural Networks

We now introduce the idea of an (artificial) neural network. This is much like the multi-layer perceptron, however, we choose a different non-linearity to apply after the individual perceptron nodes. Note that it is these added non-linearities that makes the network as a whole non-linear and more expressive (without them, a multi-layer perceptron would simply be a composition of linear functions and hence also linear). In the case of a multi-layer perceptron, we chose a step function:

$$f(x) = \begin{cases} 1 & \text{if } x \geq 0 \\ -1 & \text{otherwise} \end{cases}$$

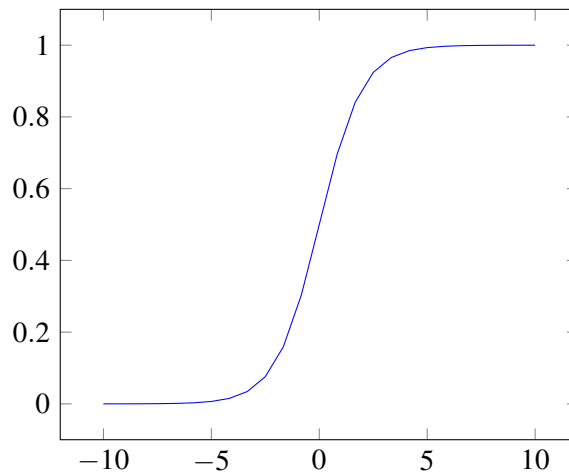
Let's take a look at its graph:



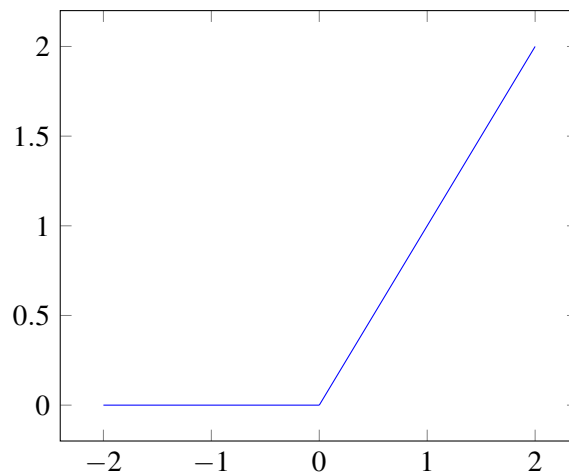
This is difficult to optimize for a number of reasons. Firstly, it is not continuous, and secondly, it has a derivative of zero at all points. Intuitively, this means that we cannot know in which direction to look for a local minima of the function, which makes it difficult to minimize loss in a smooth way.

Instead of using a step function like above, a better solution is to select a continuous function. We have many options for such a function, including the **sigmoid function** (named for the Greek σ or 's' as it looks like an 's') as well as the **rectified linear unit** (ReLU). Let's look at their definitions and graphs below:

Sigmoid: $\sigma(x) = \frac{1}{1+e^{-x}}$



$$ReLU: f(x) = \begin{cases} 0 & \text{if } x < 0 \\ x & \text{if } x \geq 0 \end{cases}$$



Calculating the output of a multi-layer perceptron is done as before, with the difference that at the output of each layer we now apply one of our new non-linearities (chosen as part of the architecture for the neural network) instead of the initial indicator function. In practice, the choice of nonlinearity is a design choice that typically requires some experimentation to select a good one for each individual use case.

Loss Functions and Multivariate Optimization

Now we have a sense of how a feed-forward neural network is constructed and makes its predictions, we would like to develop a way to train it, iteratively improving its accuracy, similarly to how we did in the case of the perceptron. In order to do so, we will need to be able to measure their performance. Returning to our log-likelihood function that we wanted to maximize, we can derive an intuitive algorithm to optimize our weights given that our function is differentiable.

To maximize our log-likelihood function, we differentiate it to obtain a **gradient vector** consisting of its partial derivatives for each parameter:

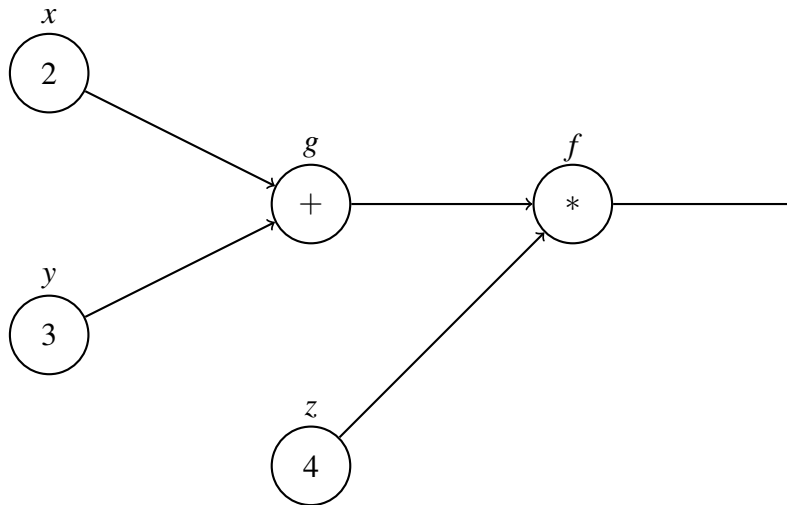
$$\nabla_{\mathbf{w}} \ell(\mathbf{w}) = \left[\frac{\partial \ell(\mathbf{w})}{\partial \mathbf{w}_1}, \dots, \frac{\partial \ell(\mathbf{w})}{\partial \mathbf{w}_n} \right].$$

Now we can find the optimal values of the parameters using the gradient ascent method described earlier. Given that the datasets are usually large, batch gradient ascent is the most popular variation of gradient ascent in neural network optimization.

Neural Networks: Backpropagation

To efficiently calculate the gradients for each parameter in a neural network, we will use an algorithm known as **backpropagation**. Backpropagation represents the neural network as a dependency graph of operators and operands, called a **computational graph**, such as the one shown below:

The graph structure allows us to efficiently compute both the network's error (loss) on input data, as well as the gradients of each parameter with respect to the loss. These gradients can be used in gradient descent to adjust the network's parameters and minimize the loss on the training data.



The Chain Rule

The chain rule is the fundamental rule from calculus which both motivates the usage of computation graphs and allows for a computationally feasible backpropagation algorithm. Mathematically, it states that for a variable f which is a function of n variables x_1, \dots, x_n and each x_i is a function of m variables t_1, \dots, t_m , then we can compute the derivative of f with respect to any t_i as follows:

$$\frac{\partial f}{\partial t_i} = \frac{\partial f}{\partial x_1} \cdot \frac{\partial x_1}{\partial t_i} + \frac{\partial f}{\partial x_2} \cdot \frac{\partial x_2}{\partial t_i} + \dots + \frac{\partial f}{\partial x_n} \cdot \frac{\partial x_n}{\partial t_i}.$$

In the context of computation graphs, this means that to compute the gradient of a given node t_i with respect to the output f , we take a sum of $\text{children}(t_i)$ terms.

The Backpropagation Algorithm

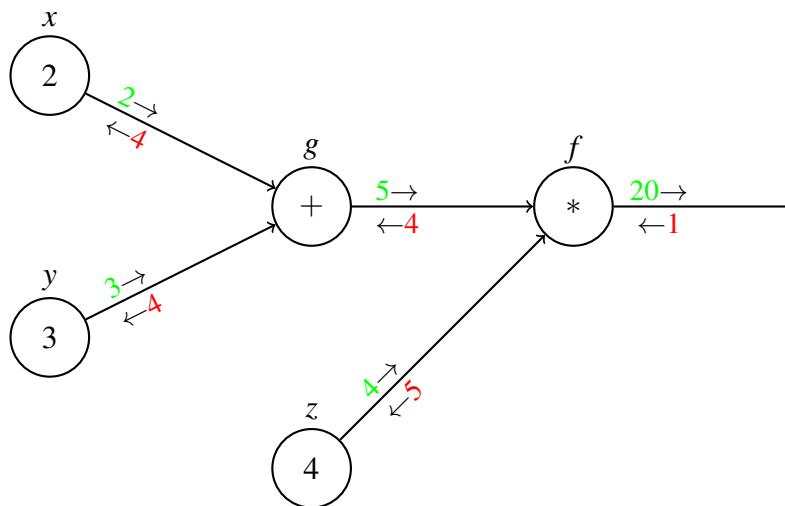


Figure 1: A computation graph for computing $(x + y) * z$ with the values $x = 2, y = 3, z = 4$.

Figure 1 shows an example computation graph for computing $(x + y) * z$ with the values $x = 2, y = 3, z = 4$.

We will write $g = x + y$ and $f = g * z$. Values in green are the outputs of each node, which we compute in the **forward pass**, where we apply each node’s operation to its input values coming from its parent nodes.

Values in red after each node give gradients of the function computed by the graph, which are computed in the **backward pass**: the value after each node is the partial derivative of the last node f value with respect to the variable at that node. For example, the red value 4 after g is $\frac{\partial f}{\partial g}$, and the red value 4 after x is $\frac{\partial f}{\partial x}$. In our simple example, f is just a multiplication node which outputs the product of its two input operands, but in a real neural network the final node will usually compute the loss value that we are trying to minimize.

The backward pass computes gradients by starting at the final node (which has a gradient of 1 since $\frac{\partial f}{\partial f} = 1$) and passing and updating gradients backward through the graph. Intuitively, each node’s gradient measures how much a change in that node’s value contributes to a change in the final node’s value. This will be the product of how much the node contributes to a change in its child node, with how much the child node contributes to a change in the final node. Each node receives and combines gradients from its children, updates this combined gradient based on the node’s inputs and the node’s operation, and then passes the updated gradient backward to its parents. Computation graphs are a great way to visualize repeated application of the chain rule from calculus, as this process is required for backpropagation in neural networks.

Our goal during backpropagation is to determine the gradient of output with respect to each of the inputs. As you can see in Figure 1, in this case we want to compute the gradients $\frac{\partial f}{\partial x}$, $\frac{\partial f}{\partial y}$, and $\frac{\partial f}{\partial z}$:

1. Since f is our final node, it has gradient $\frac{\partial f}{\partial f} = 1$. Then we compute the gradients for its children, g and z . We have $\frac{\partial f}{\partial g} = \frac{\partial}{\partial g}(g \cdot z) = z = 4$, and $\frac{\partial f}{\partial z} = \frac{\partial}{\partial z}(g \cdot z) = g = 5$.
2. Now we can move on upstream to compute the gradients of x and y . For these, we’ll use the chain rule and reuse the gradient we just computed for g , $\frac{\partial f}{\partial g}$.
3. For x , we have $\frac{\partial f}{\partial x} = \frac{\partial f}{\partial g} \frac{\partial g}{\partial x}$ by the chain rule – the product of the gradient coming from g with the partial derivative for x at this node. We have $\frac{\partial g}{\partial x} = \frac{\partial}{\partial x}(x + y) = \frac{\partial}{\partial x}x + \frac{\partial}{\partial x}y = 1 + 0$, so $\frac{\partial f}{\partial x} = 4 \cdot 1 = 4$. Intuitively, the amount that a change in x contributes to a change in f is the product of the amount that a change in g contributes to a change in f , with the amount that a change in x contributes to one in g .
4. The process for computing the gradient of the output with respect to y is almost identical. For y we have $\frac{\partial f}{\partial y} = \frac{\partial f}{\partial g} \frac{\partial g}{\partial y}$ by the chain rule – the product of the gradient coming from g with the partial derivative for y at this node. We have $\frac{\partial g}{\partial y} = \frac{\partial}{\partial y}(x + y) = \frac{\partial}{\partial y}x + \frac{\partial}{\partial y}y = 0 + 1$, so $\frac{\partial f}{\partial y} = 4 \cdot 1 = 4$.

Since the backward pass step for a node in general depends on the node’s inputs (which are computed in the forward pass), and gradients computed “downstream” of the current node by the node’s children (computed earlier in the backward pass), we cache all of these values in the graph for efficiency. Taken together, the forward and backward pass over the graph make up the backpropagation algorithm.

For an example of applying the chain rule for a node with multiple children, consider the graph in Figure 2, representing $((x + y) + (x \cdot y)) \cdot z$, with $x = 2$, $y = 3$, $z = 4$. x and y are each used in 2 operations, and so each has two children. By the chain rule, their gradient values are the sum of the gradients computed for them by their children (i.e. gradient values add at path junctions). For example, to compute the gradient for x , we have

$$\frac{\partial f}{\partial x} = \frac{\partial f}{\partial h} \frac{\partial h}{\partial x} + \frac{\partial f}{\partial i} \frac{\partial i}{\partial x} = 4 \cdot 1 + 4 \cdot 3 = 4 + 12 = 16.$$

Now that we have a method for computing gradients for all parameters of the network, we can use gradient descent methods to optimize the parameters to get high accuracy on our training data. For example, suppose

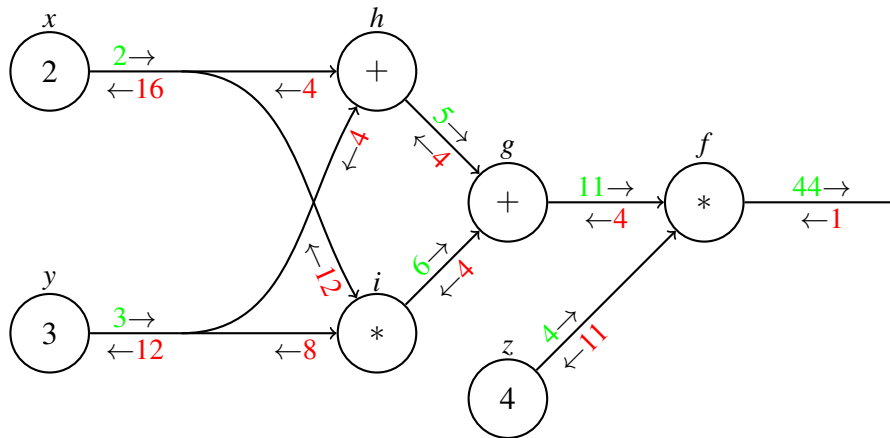


Figure 2: A computation graph for computing $((x + y) + (x \cdot y)) \cdot z$, with $x = 2$, $y = 3$, $z = 4$.

we have designed some classification network to output probabilities of classes y for data points x , and have m different training data points (see the *Measuring Accuracy* section for more on this). Let \mathbf{w} be all the parameters of our network. We want to find values for the parameters \mathbf{w} that maximize the likelihood of the true class probabilities for our data, so we have the following function to run gradient ascent on:

$$\ell\ell(\mathbf{w}) = \log \prod_{i=1}^m P(y^{(i)} | x^{(i)}; \mathbf{w}) = \sum_{i=1}^m \log P(y^{(i)} | x^{(i)}; \mathbf{w})$$

where $x^{(1)}, \dots, x^{(m)}$ are the m data points in our training set.

To minimize the negative of log-likelihood is, at each iteration of gradient descent, we use the data points $x^{(1)}, \dots, x^{(m)}$ to compute gradients for the parameters \mathbf{w} , update the parameters, and repeat until the parameters converge (at which point we've reached a local minimum of the function).

Neural networks are powerful (and universal!) function approximators, but can be difficult to design and train. There's a lot of ongoing research in deep learning focusing on various aspects of neural network design such as:

1. *Network Architectures* - designing a network (choosing activation functions, number of layers, etc.) that's a good fit for a particular problem
2. *Learning Algorithms* - how to find parameters that achieve a low value of the loss function, a difficult problem since gradient descent is a greedy algorithm and neural nets can have many local optima
3. *Generalization and Transfer Learning* - since neural nets have many parameters, it's often easy to overfit training data - how do you guarantee that they also have low loss on testing data you haven't seen before?

Summary

In this note, we introduced logistic regression and its close variant, multiclass logistic regression.

We also examined how to solve optimization problems using gradient methods.

Combining these concepts, we come to the idea of neural networks, which are essentially multi-layer perceptrons with nonlinear activations between. These networks are extremely powerful for approximating functions, and are trained using gradient descent.