

# Databases

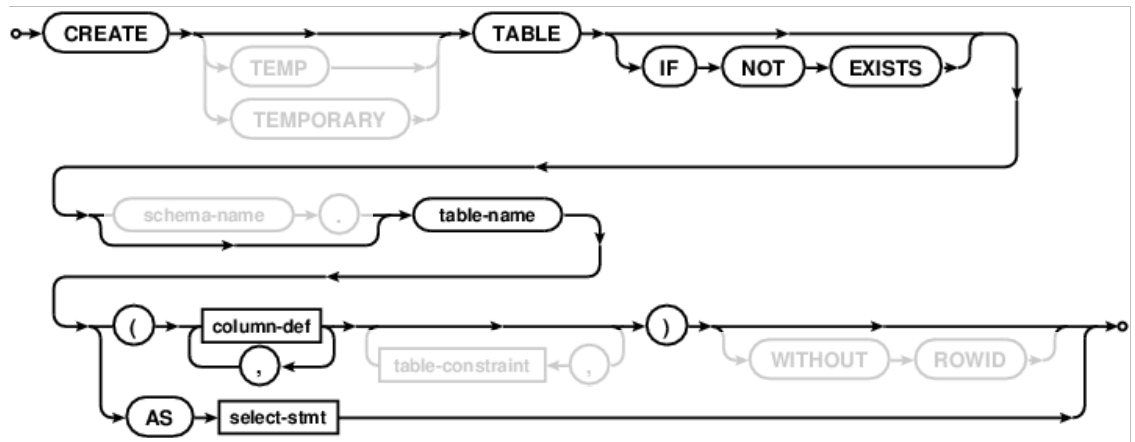
---

# Announcements

Create Table and Drop Table

# Create Table

CREATE TABLE expression syntax:



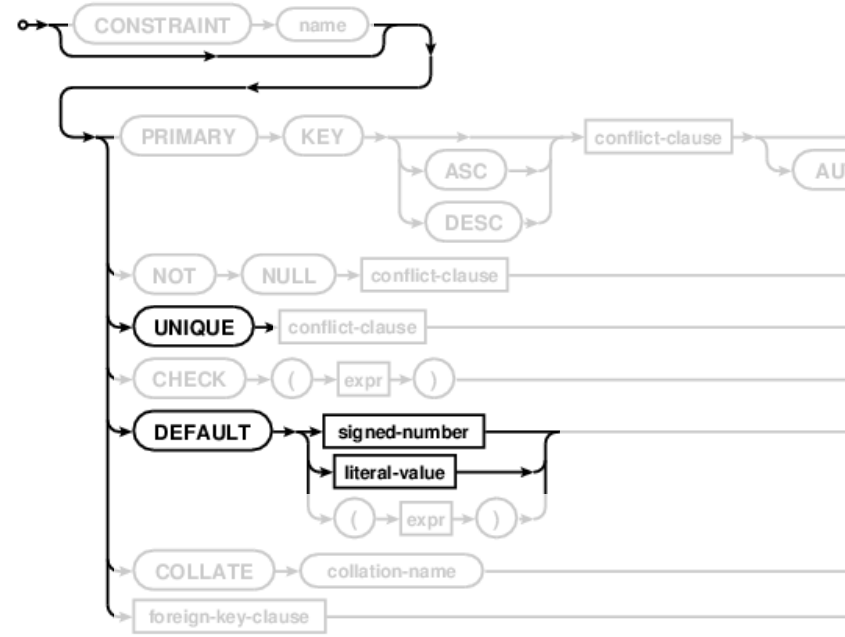
Examples:

- CREATE TABLE** numbers (n, note);
- CREATE TABLE** numbers (n **UNIQUE**, note);
- CREATE TABLE** numbers (n, note **DEFAULT** "No comment");

column-def:

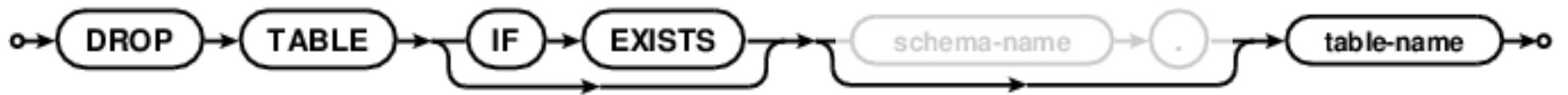


column-constraint:



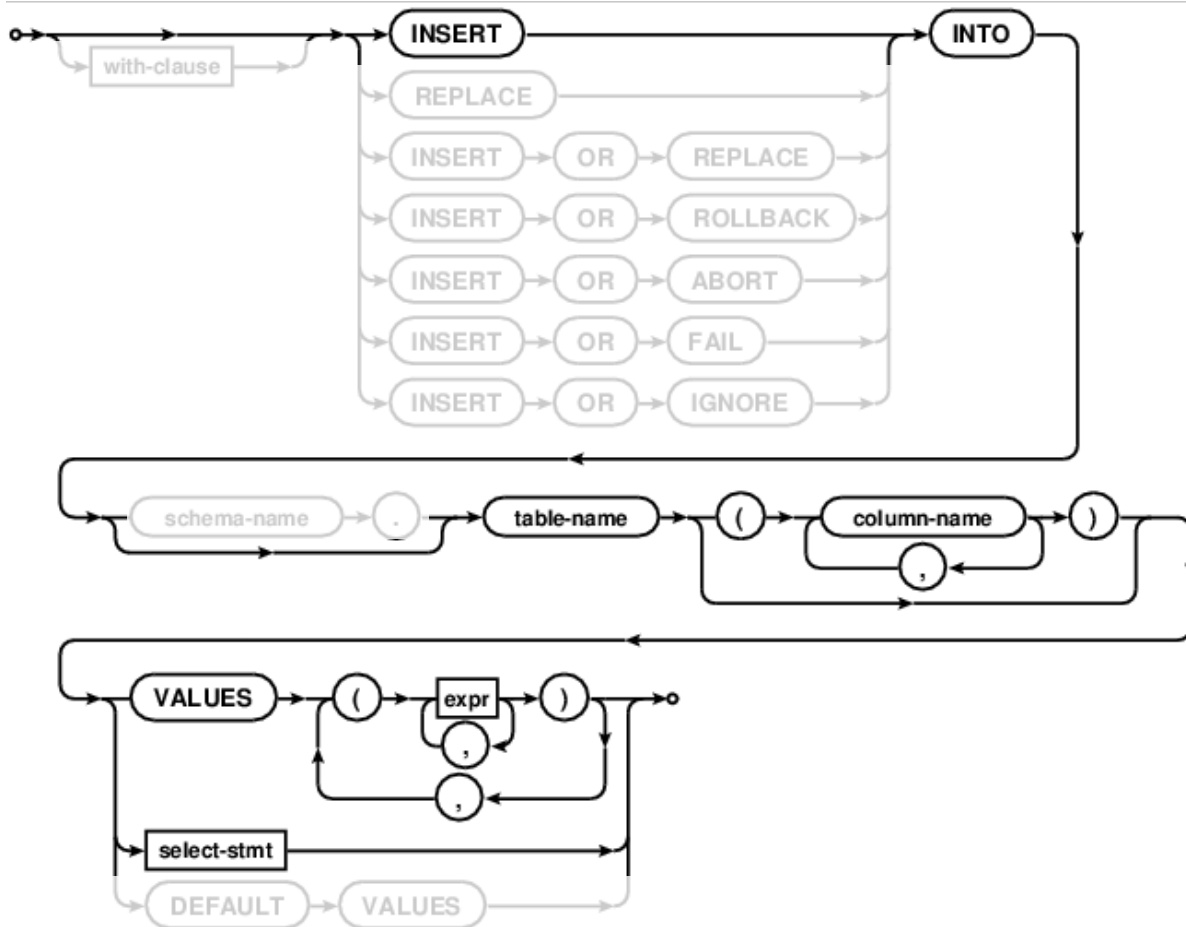
## Drop Table

---



## Modifying Tables

## Insert



For a table `t` with two columns...

To insert into one column:

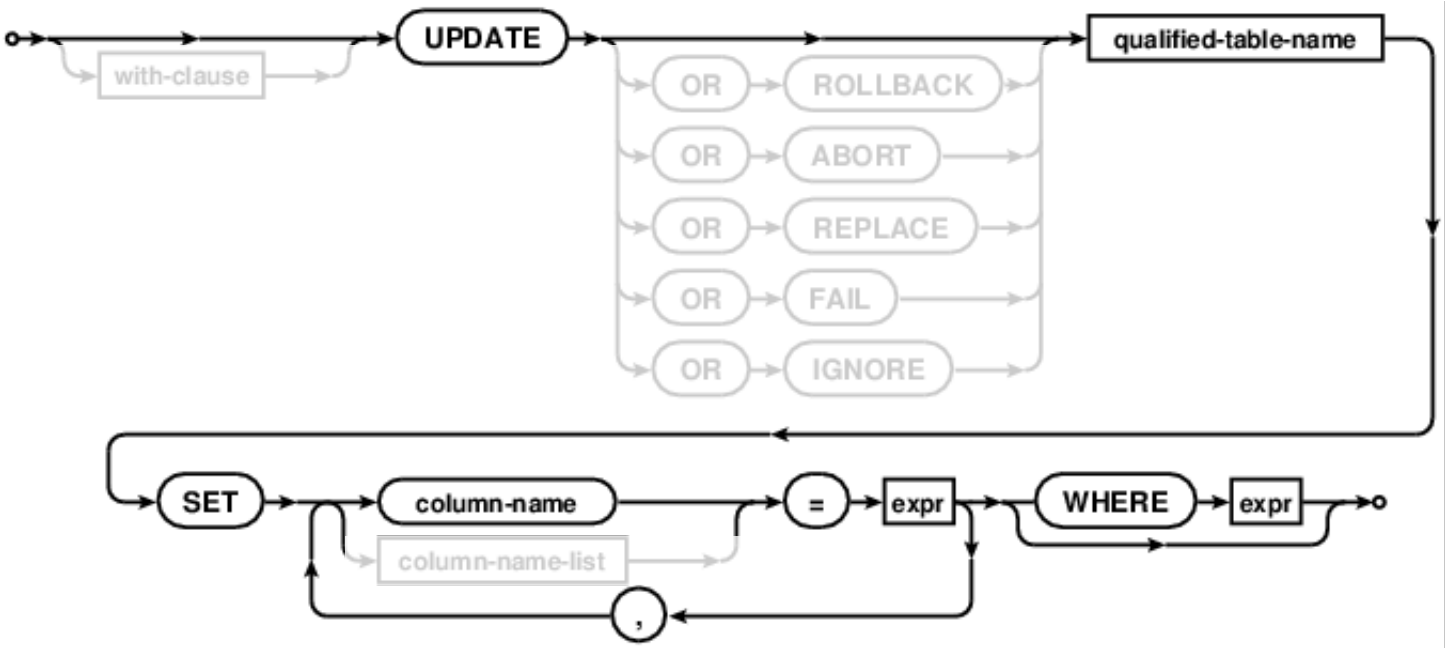
```
INSERT INTO t(column) VALUES (value);
```

To insert into both columns:

```
INSERT INTO t VALUES (value0, value1);
```

(Demo)

# Update



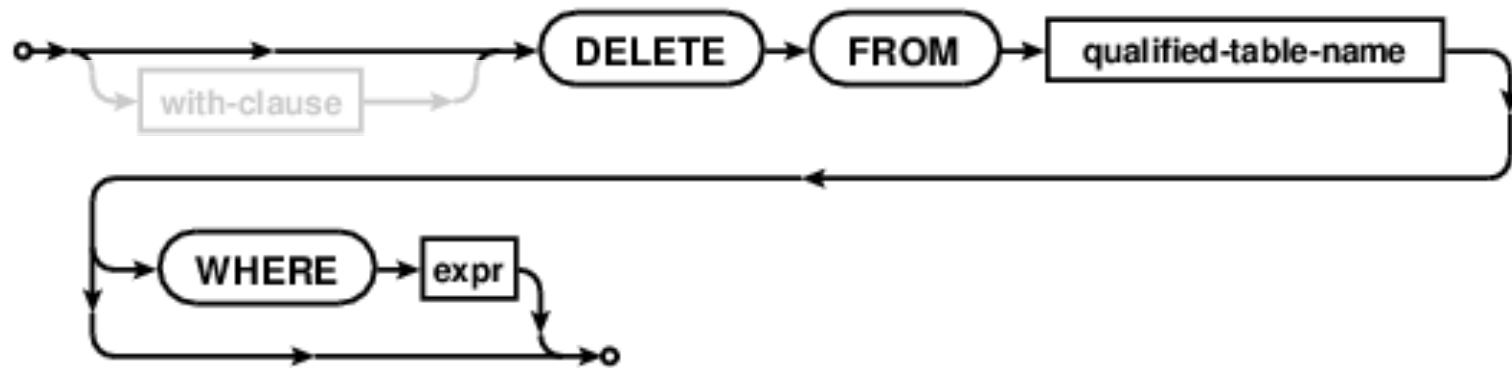
Update sets all entries in certain columns to new values, just for some subset of rows.

(Demo)



## Delete

---



Delete removes some or all rows from a table.

(Demo)

# Python and SQL

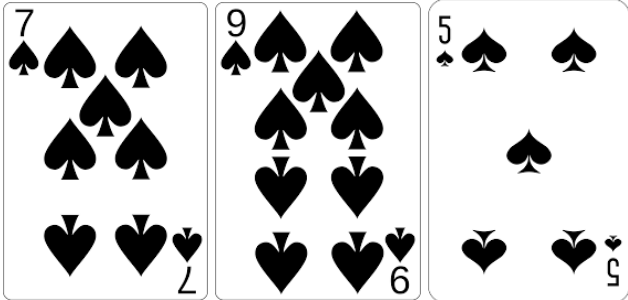
(Demo)

## Database Connections

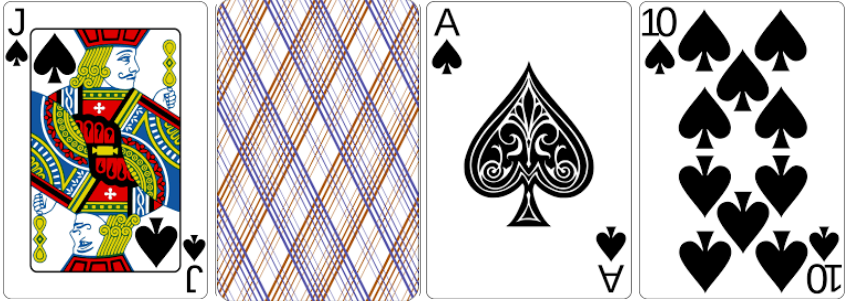
# Casino Blackjack

---

Player:



Dealer:



(Demo)