

Databases

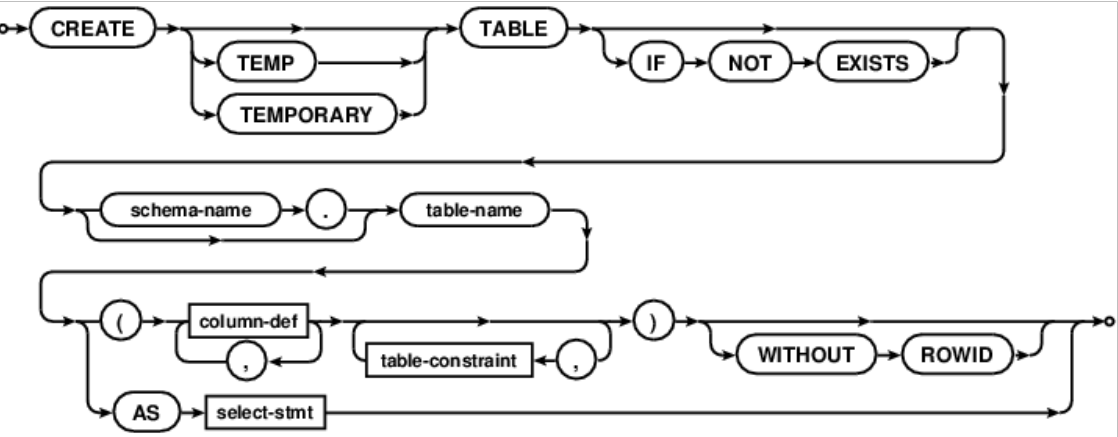
Announcements

Create Table and Drop Table

Create Table

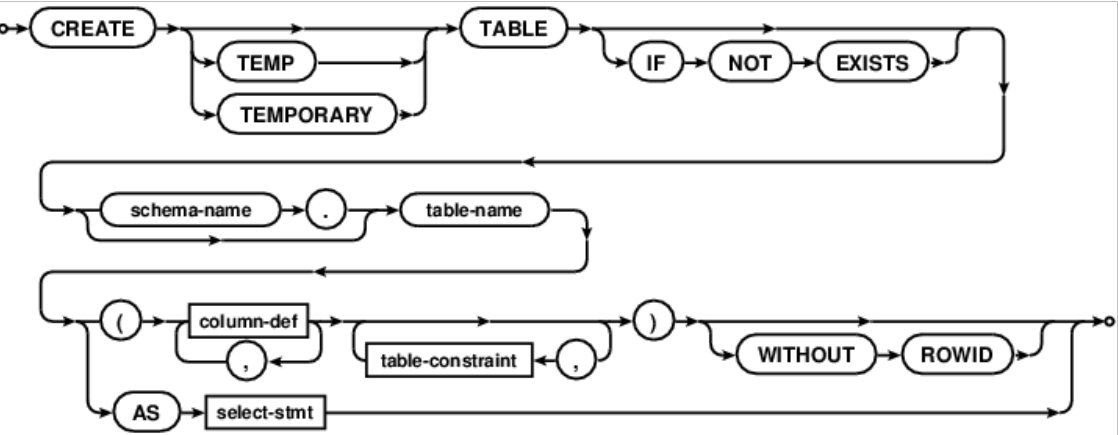
Create Table

CREATE TABLE expression syntax:



Create Table

CREATE TABLE expression syntax:

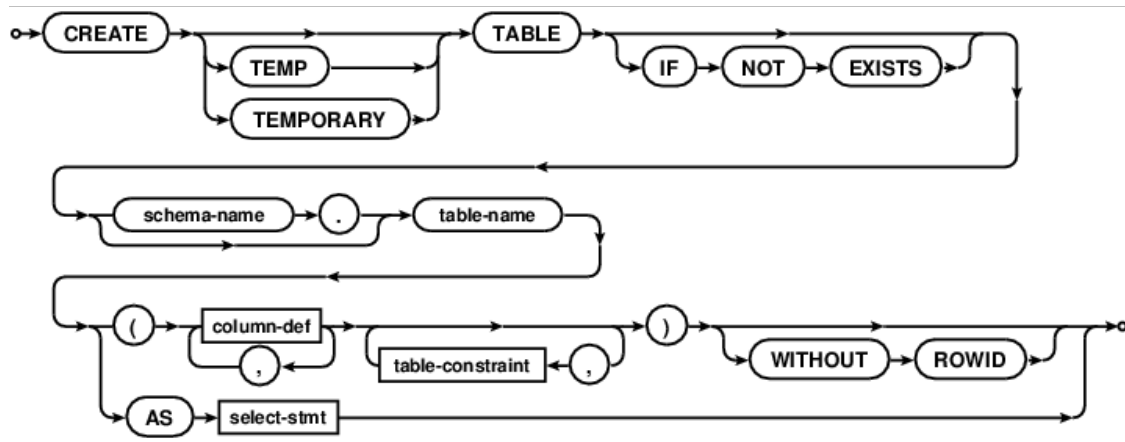


column-def:



Create Table

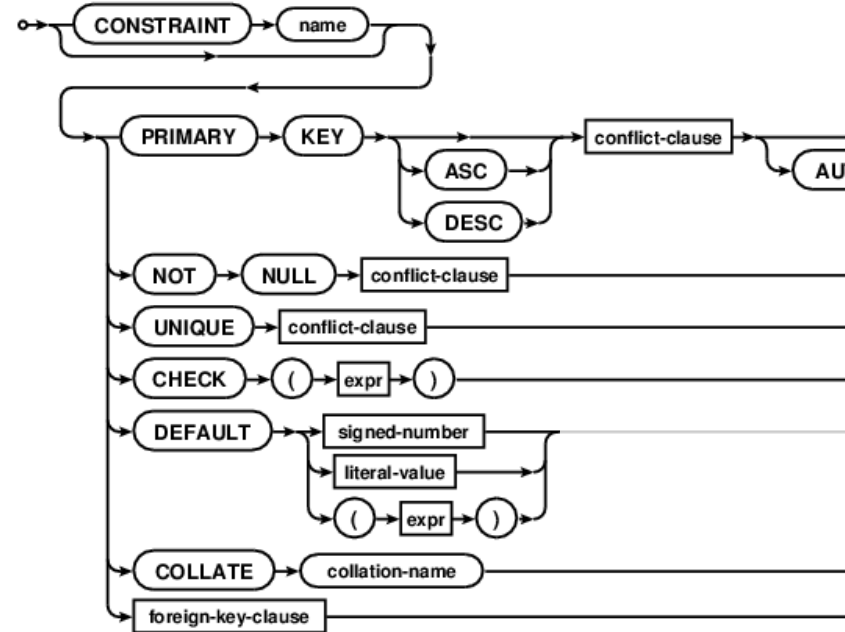
CREATE TABLE expression syntax:



column-def:

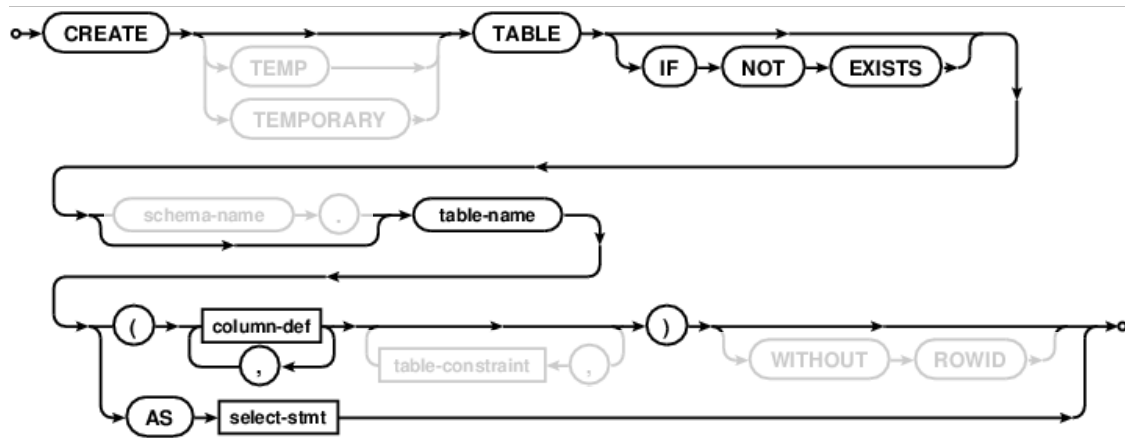


column-constraint:



Create Table

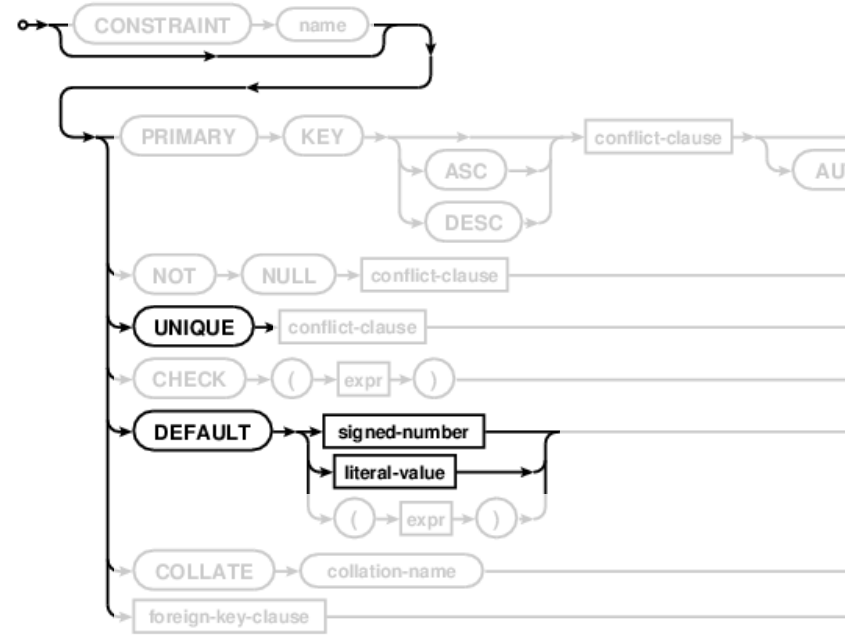
CREATE TABLE expression syntax:



column-def:

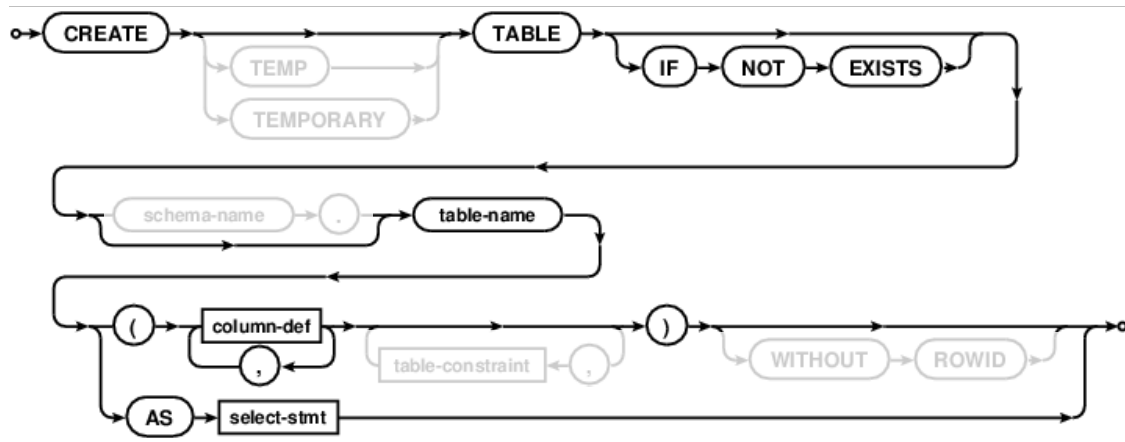


column-constraint:



Create Table

CREATE TABLE expression syntax:

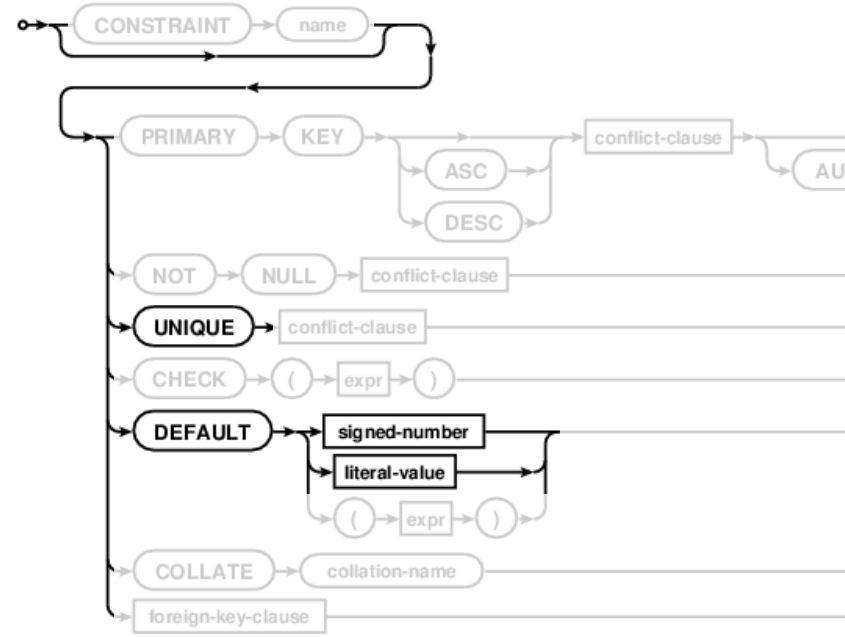


Examples:

column-def:

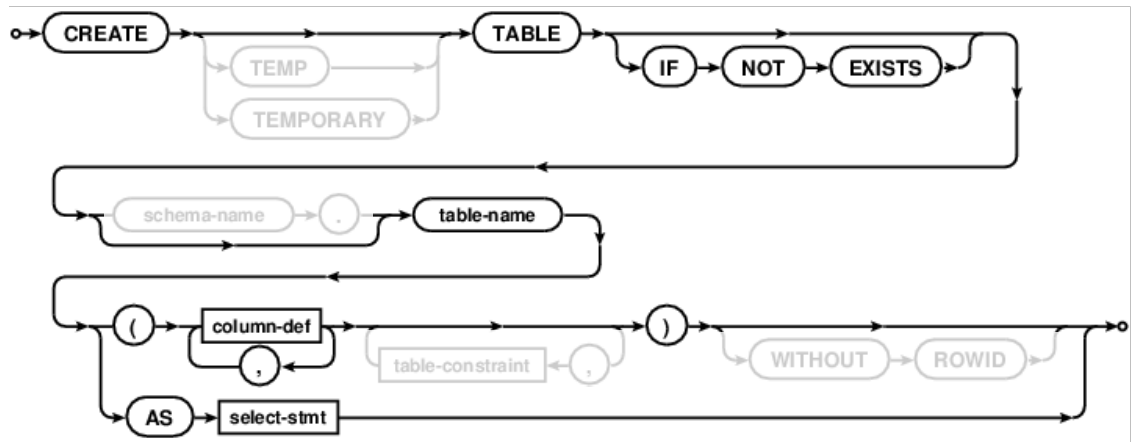


column-constraint:



Create Table

CREATE TABLE expression syntax:



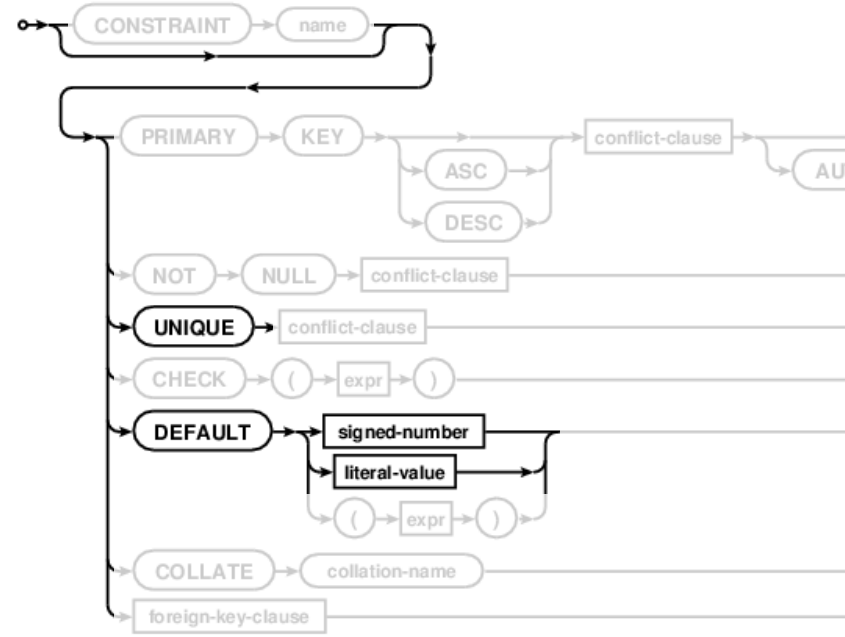
Examples:

- CREATE TABLE** numbers (n, note);
- CREATE TABLE** numbers (n **UNIQUE**, note);
- CREATE TABLE** numbers (n, note **DEFAULT "No comment"**);

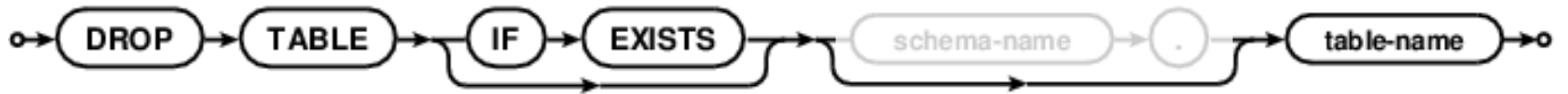
column-def:



column-constraint:

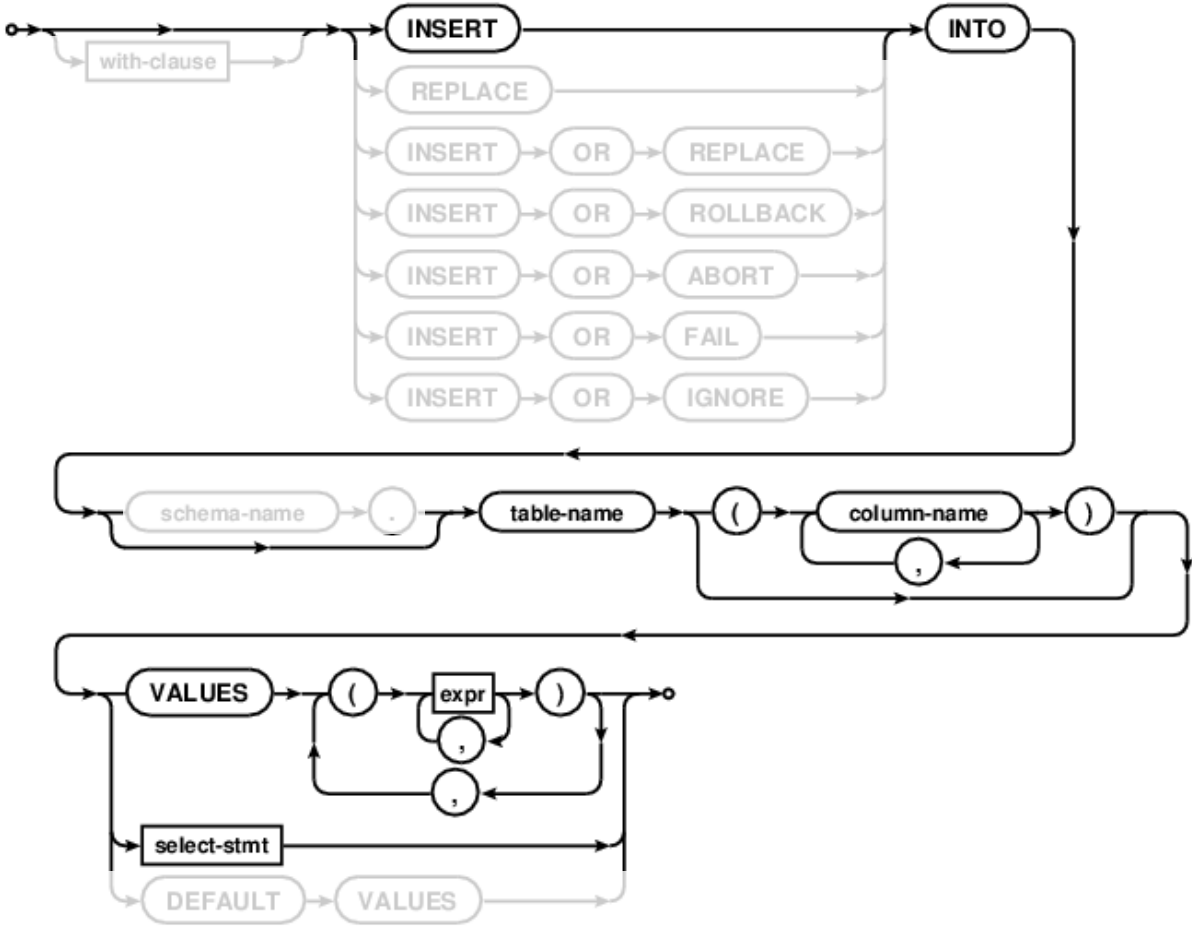


Drop Table

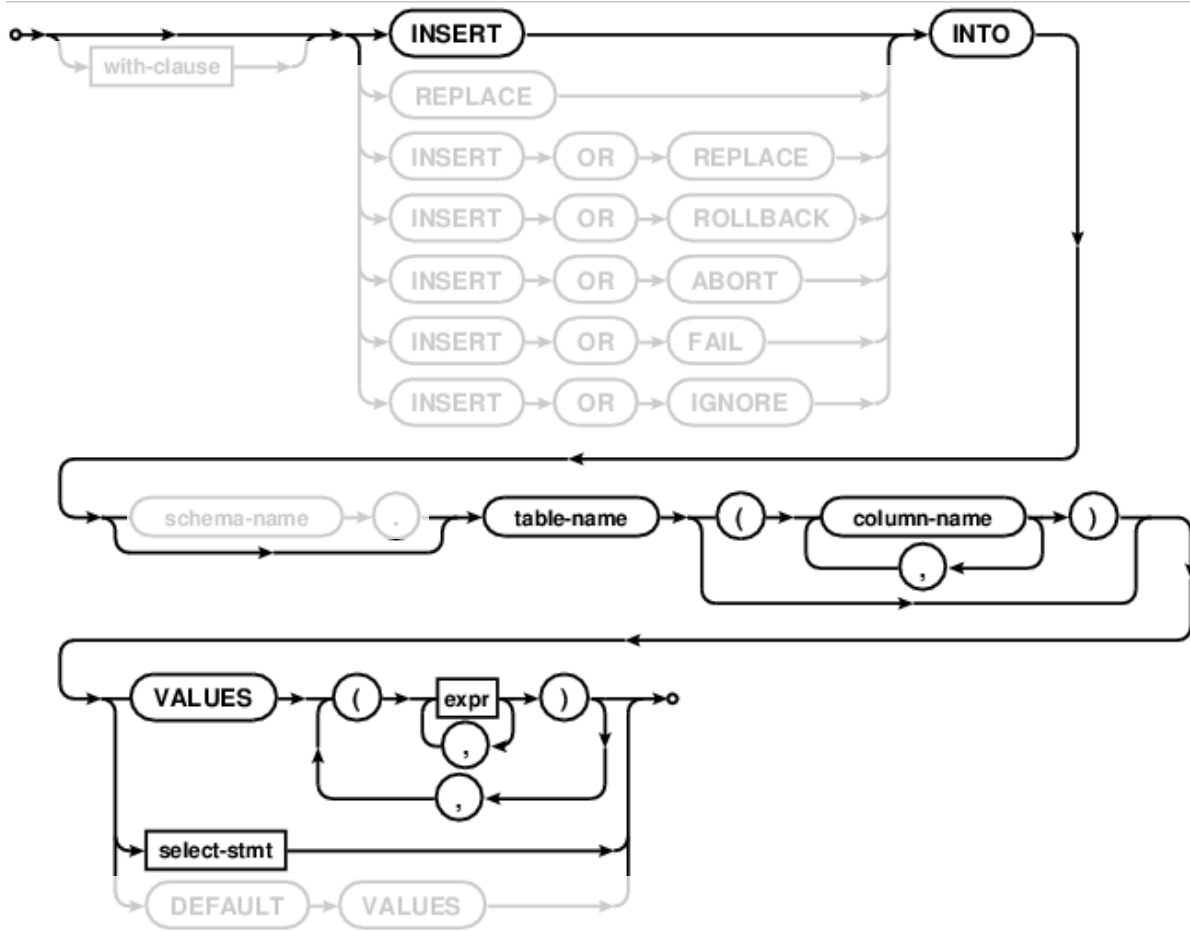


Modifying Tables

Insert

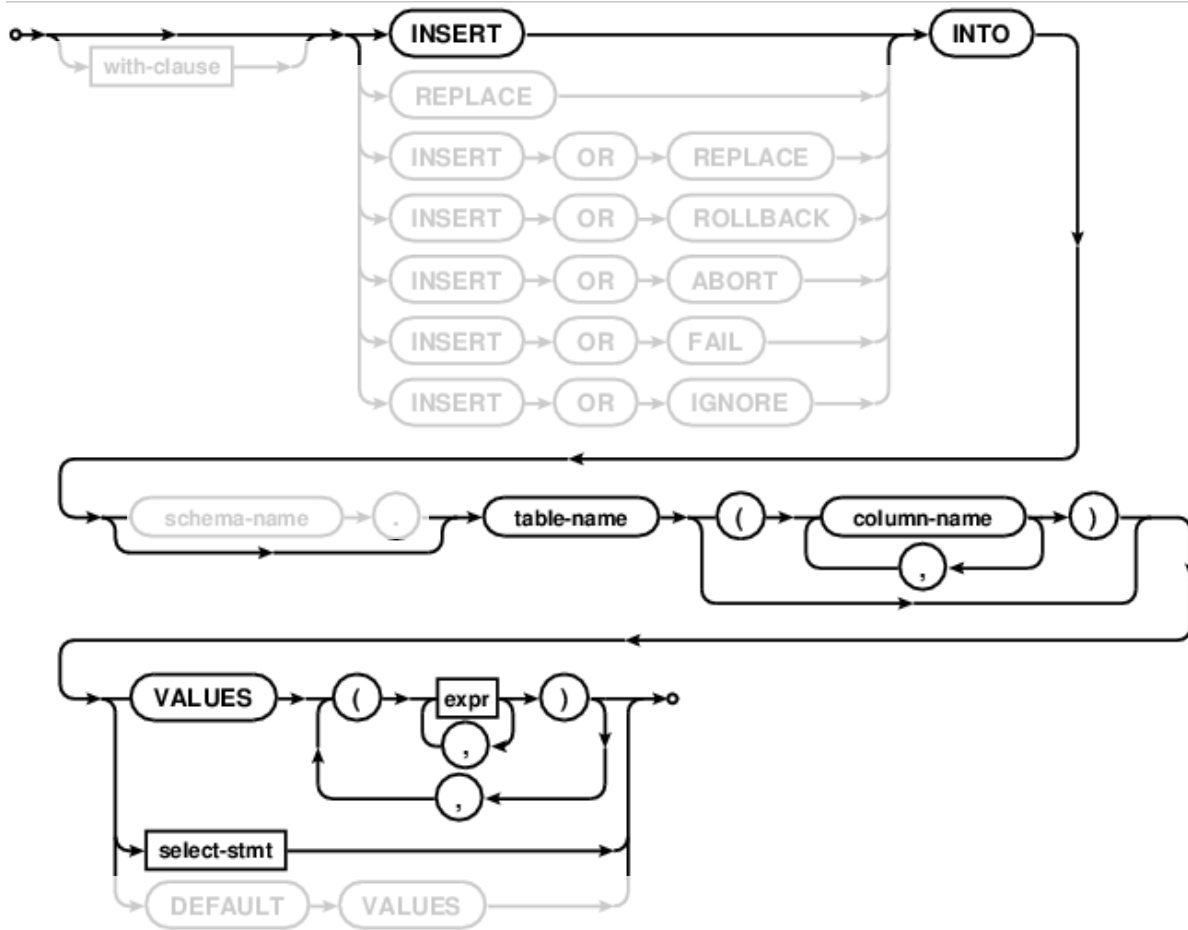


Insert



For a table t with two columns...

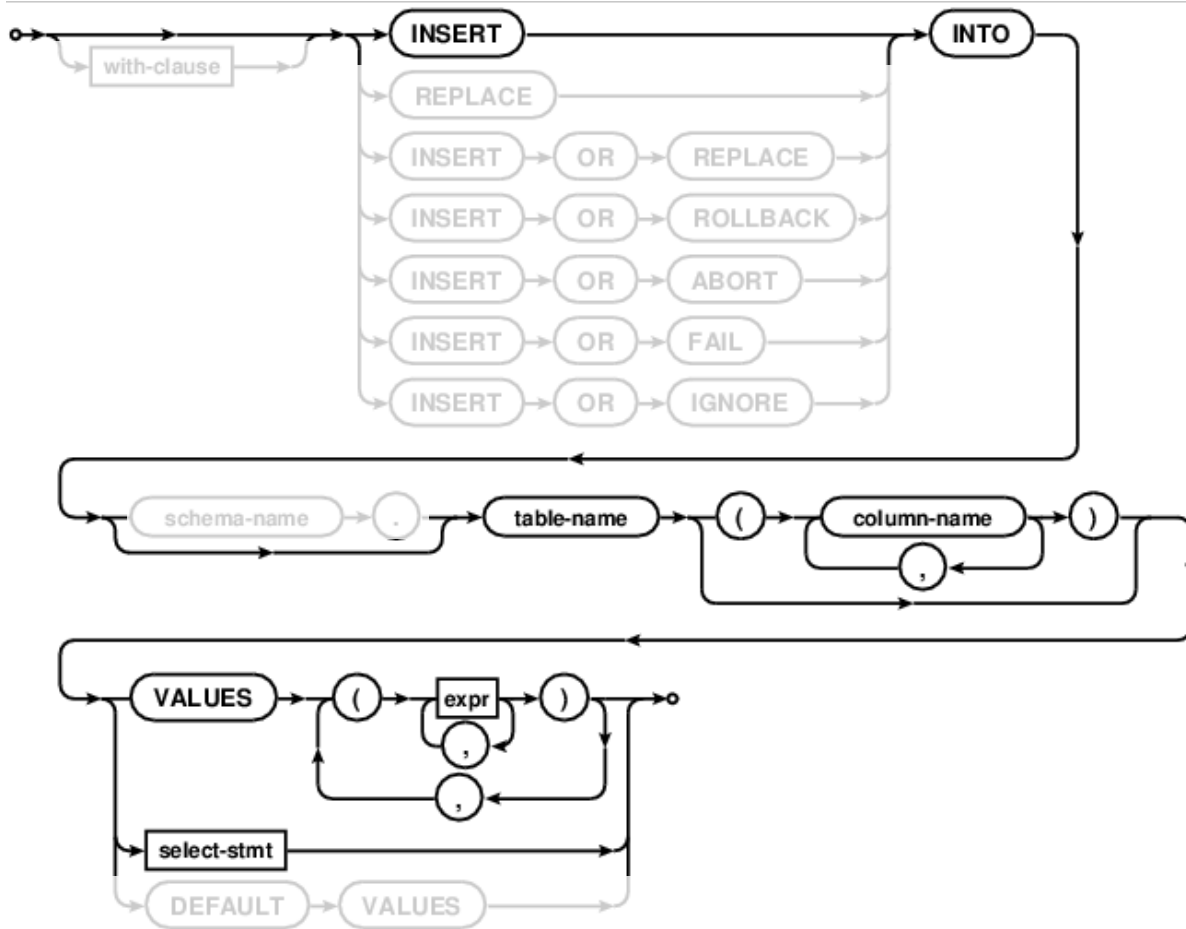
Insert



For a table t with two columns...

To insert into one column:

Insert

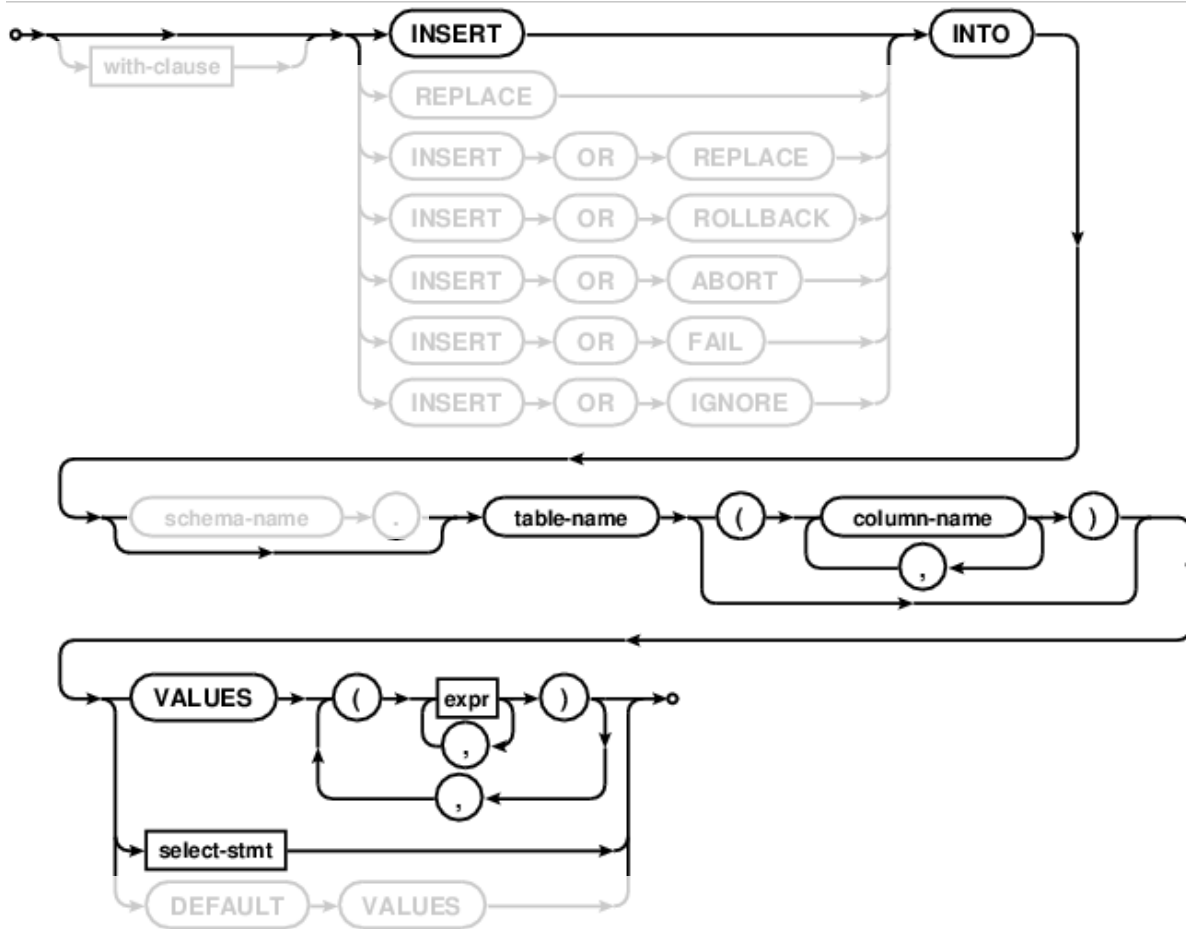


For a table t with two columns...

To insert into one column:

INSERT INTO t(column) **VALUES** (value);

Insert



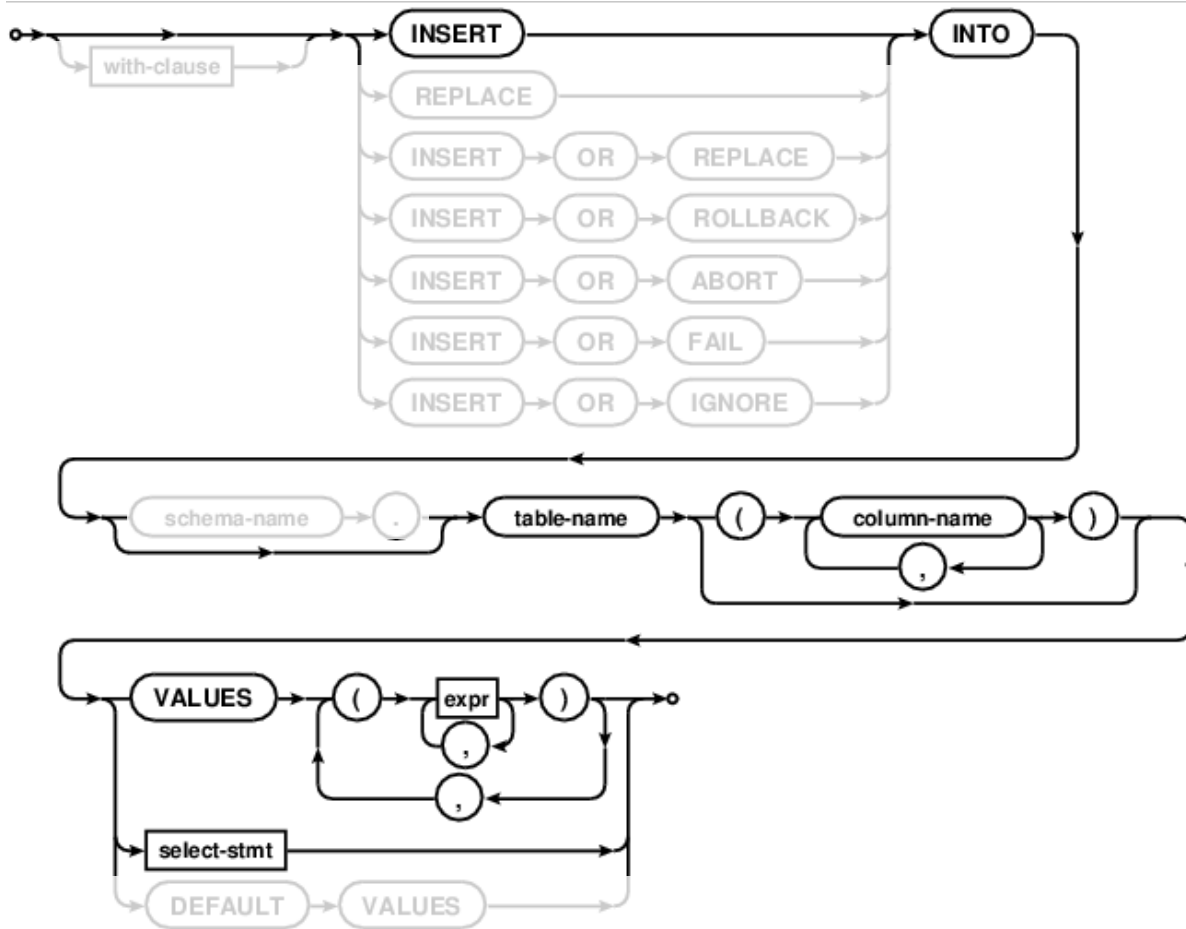
For a table t with two columns...

To insert into one column:

INSERT INTO t(column) **VALUES** (value);

To insert into both columns:

Insert



For a table t with two columns...

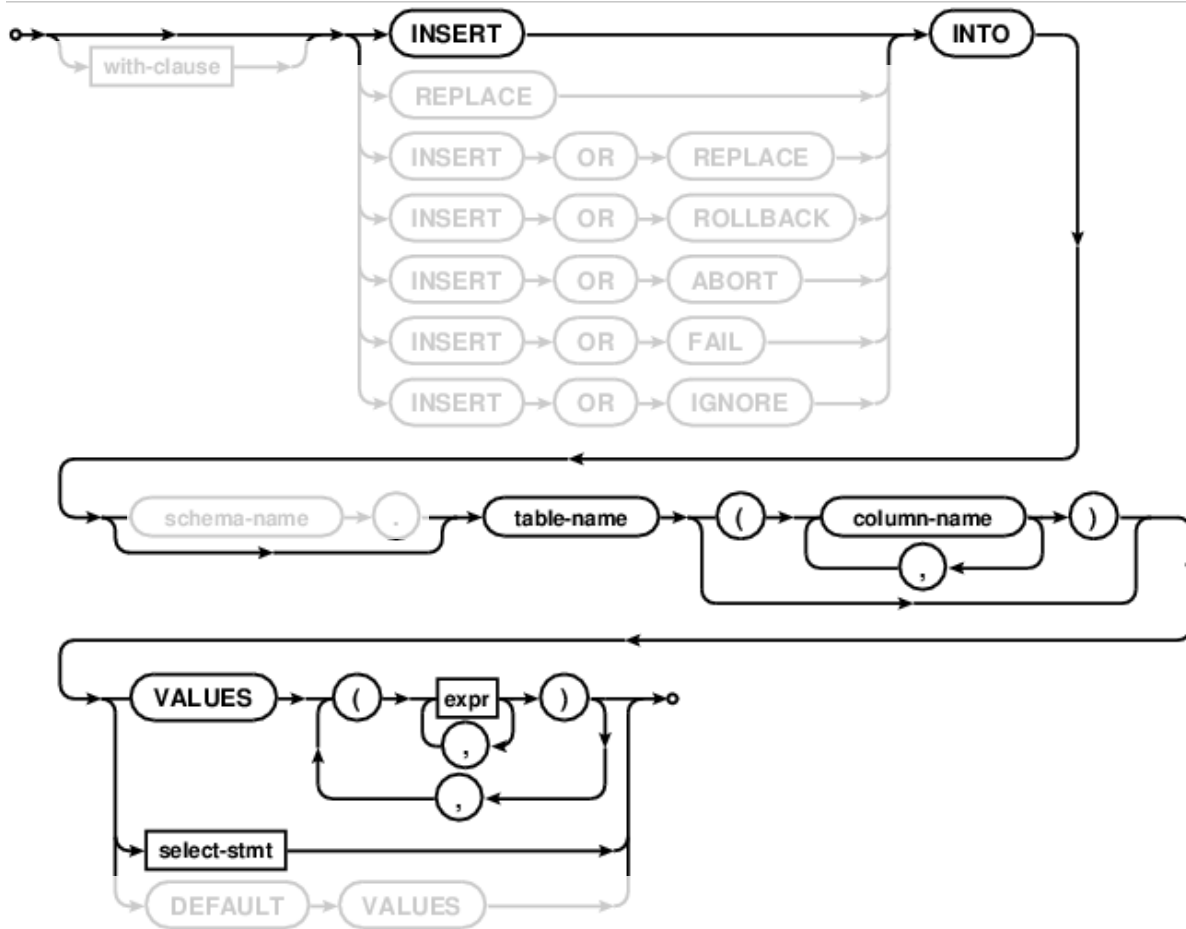
To insert into one column:

```
INSERT INTO t(column) VALUES (value);
```

To insert into both columns:

```
INSERT INTO t VALUES (value0, value1);
```

Insert



For a table `t` with two columns...

To insert into one column:

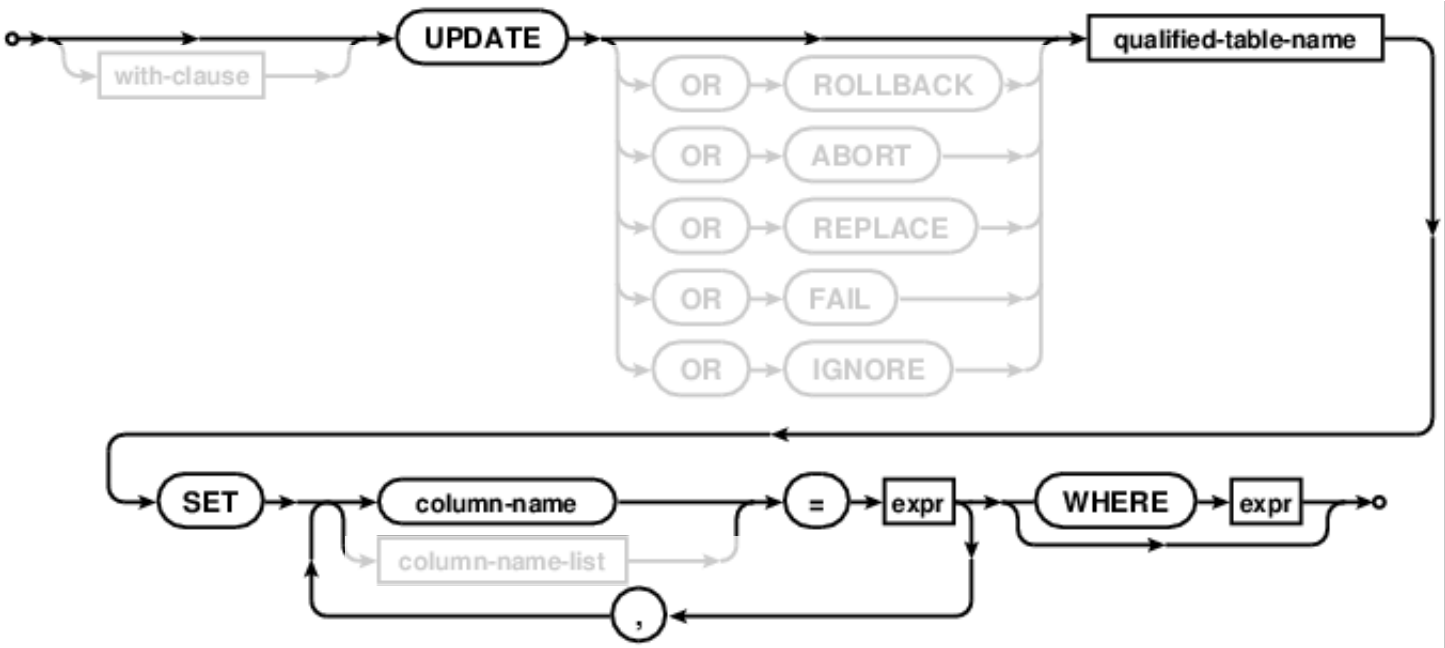
```
INSERT INTO t(column) VALUES (value);
```

To insert into both columns:

```
INSERT INTO t VALUES (value0, value1);
```

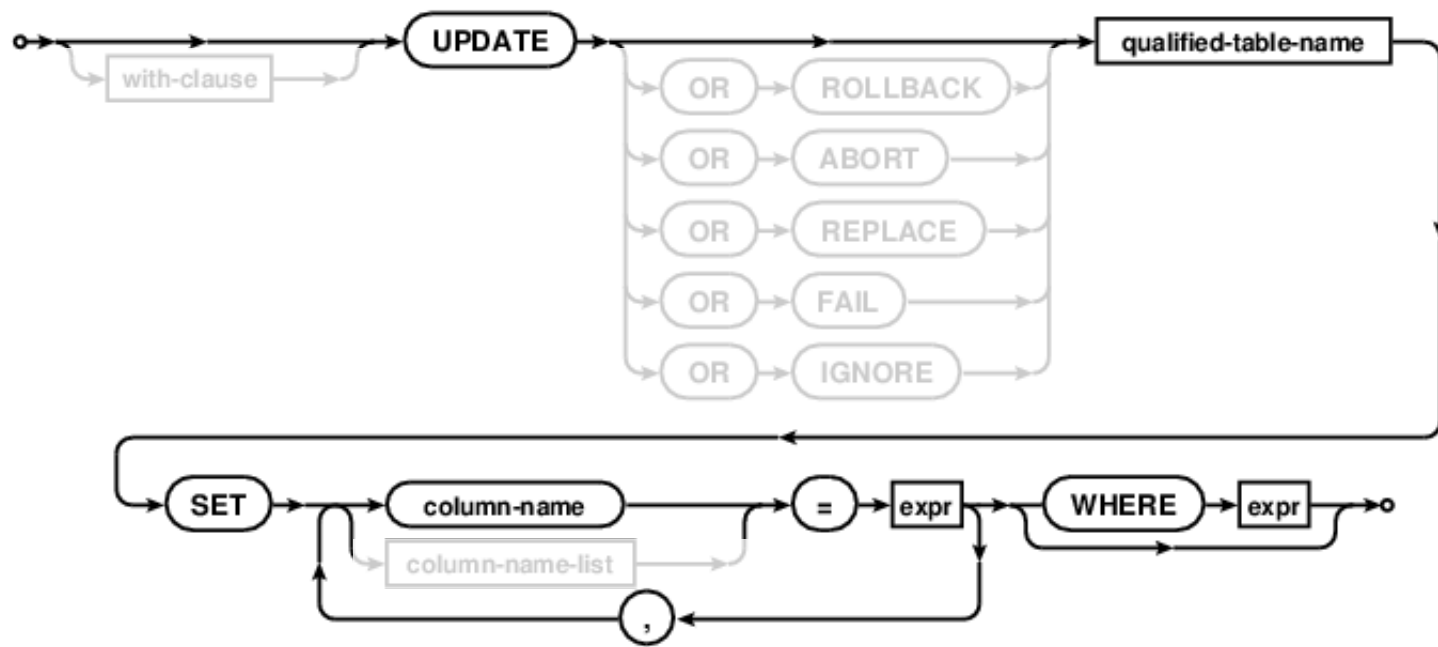
(Demo)

Update



Update sets all entries in certain columns to new values, just for some subset of rows.

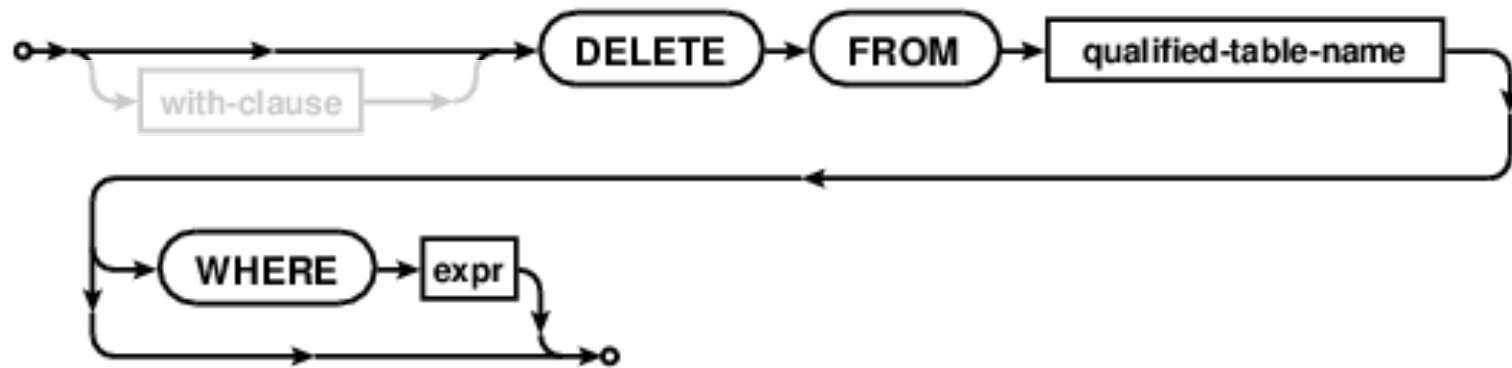
Update



Update sets all entries in certain columns to new values, just for some subset of rows.

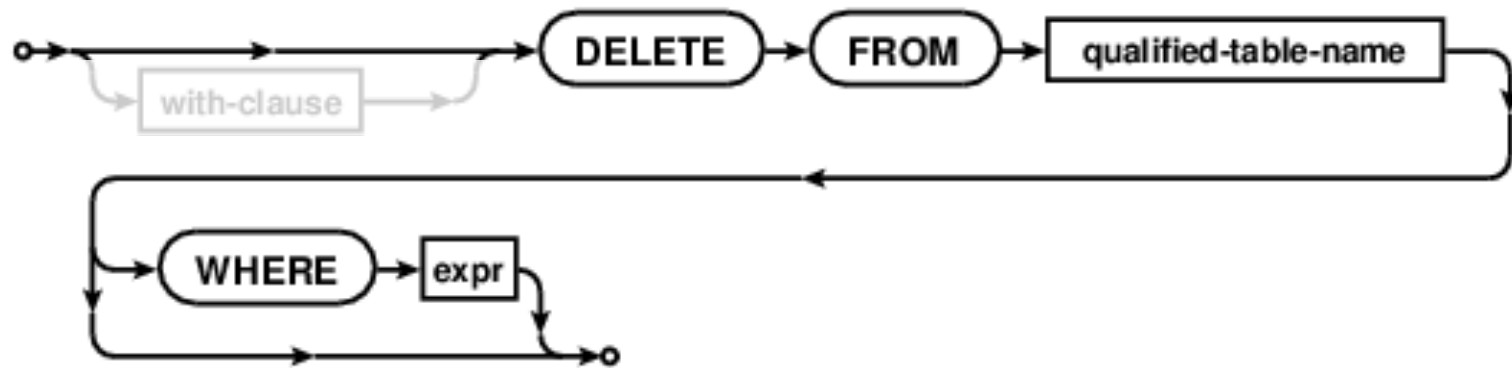
(Demo)

Delete



Delete removes some or all rows from a table.

Delete



Delete removes some or all rows from a table.

(Demo)

Python and SQL

Python and SQL

(Demo)

Database Connections

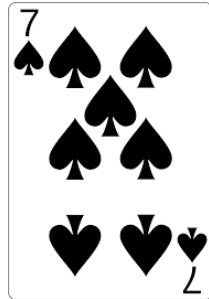
Casino Blackjack

Player:

Dealer:

Casino Blackjack

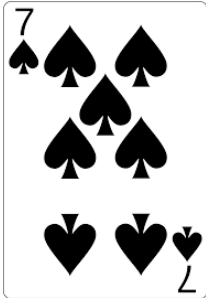
Player:



Dealer:

Casino Blackjack

Player:

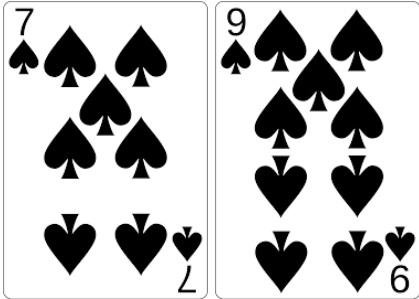


Dealer:



Casino Blackjack

Player:

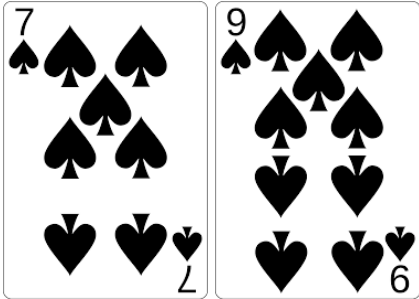


Dealer:

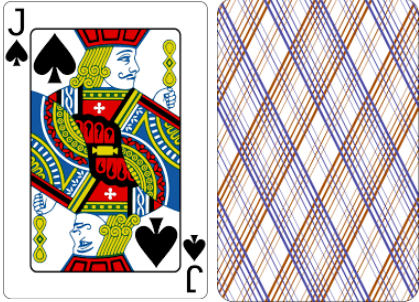


Casino Blackjack

Player:

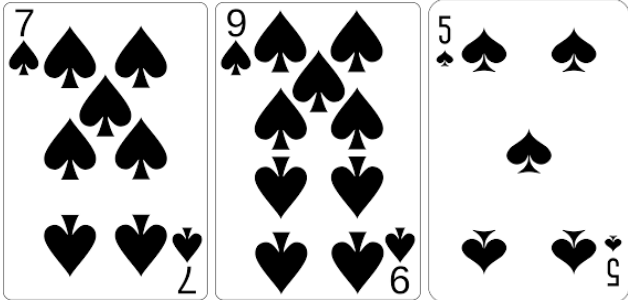


Dealer:

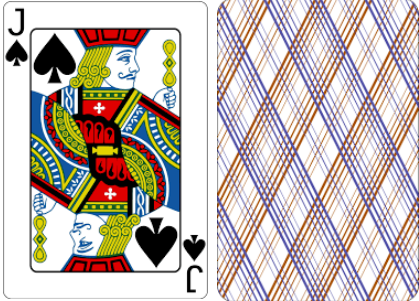


Casino Blackjack

Player:

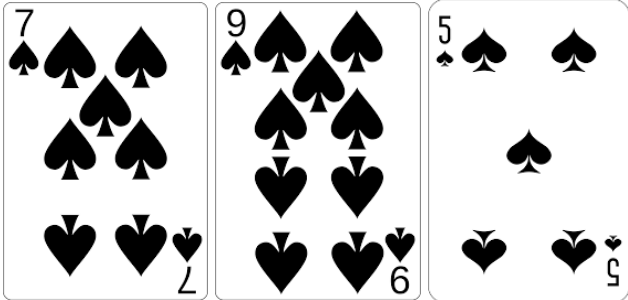


Dealer:

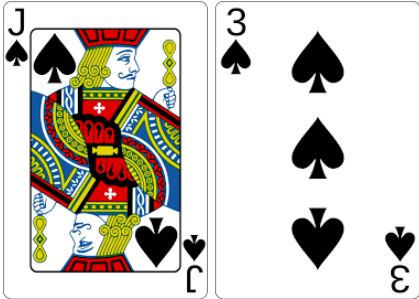


Casino Blackjack

Player:

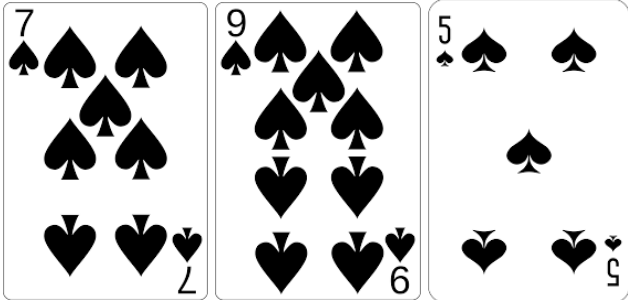


Dealer:

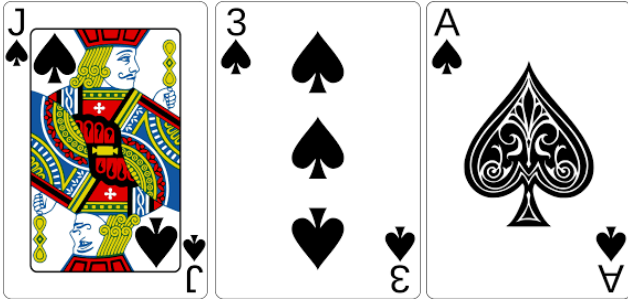


Casino Blackjack

Player:

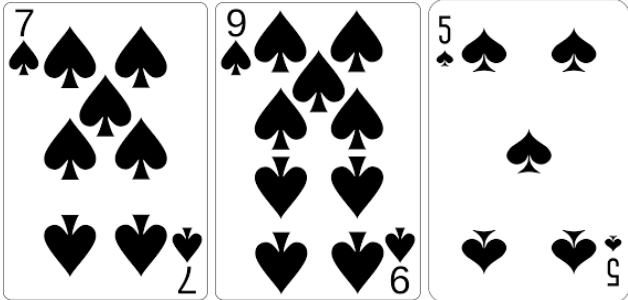


Dealer:

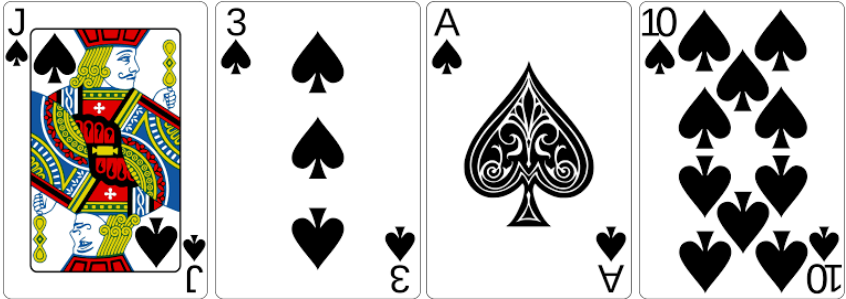


Casino Blackjack

Player:

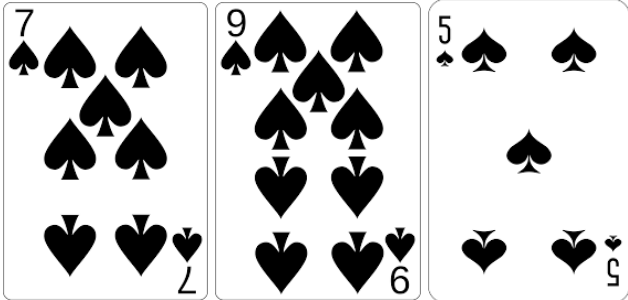


Dealer:



Casino Blackjack

Player:



(Demo)

Dealer:

