

## Lecture #3: Recap of Function Evaluation; Control

Last modified: Sun Jan 24 22:42:08 2021

CS61A: Lecture #3 1

## Announcements

- Labs 1 and 2 due Tuesday (at 11:59PM).
- Homework 1 due Thursday.
- Orientations starting: lab orientations are Mondays, discussion orientations Wednesdays. These are recorded.
- Lab party on Monday, homework party on Tuesday. See Piazza @151.
- Conceptual office hours starting this week. See Piazza @174.
- Ask questions on the Piazza thread for today's lecture (@155).

Last modified: Sun Jan 24 22:42:08 2021

CS61A: Lecture #3 2

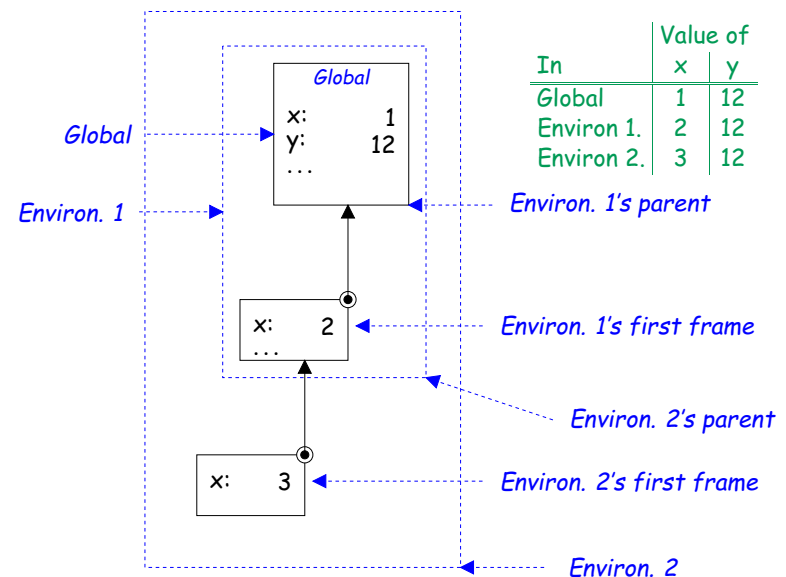
## Summary: Environments

- *Environments* map names to values.
- They consist of chains of *environment frames*.
- An environment is either a *global frame* or a first (local) frame chained to a *parent environment* (which is itself either a global frame or ...).
- We say that a name is *bound to* a value in a frame.
- The *value (or meaning) of a name* in an environment is the value it is bound to in the first frame, if there is one, ...
- ...or if not, the meaning of the name in the parent environment (recursively).
- Every expression and statement is evaluated (executed) in an environment, which determines the meaning of its names.
- Expressions and subexpressions (pieces of an expression) are evaluated in the same environment as the statement or expression containing them.

Last modified: Sun Jan 24 22:42:08 2021

CS61A: Lecture #3 3

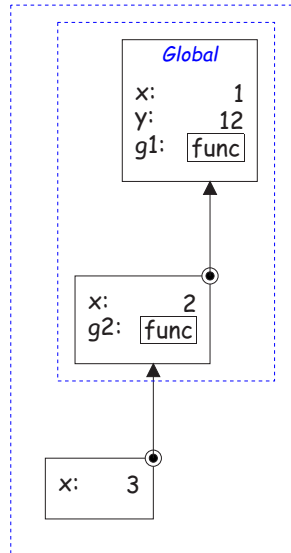
## A Sample Environment Chain



Last modified: Sun Jan 24 22:42:08 2021

CS61A: Lecture #3 4

## Creating the Sample Environment Chain



Executing the following code will result in the environment on the left when execution reaches the comment.

```
x = 1
y = 12
def g1(x):
    def g2(x):
        # Stop here
        print(x)
    g2(x + 1)
g1(2)
```

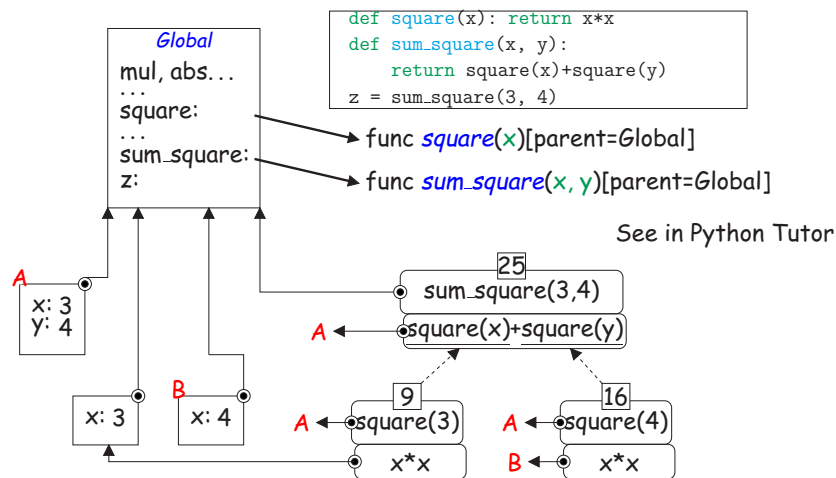
The call to print is executed in this environment. Continuing from the comment, the program would print 3.

Execute in Python tutor

## Environments: Binding and Evaluation

- **Assigning** to a variable binds a value to it in (for now) the first frame of the environment in which the assignment is executed.
- **Def statements** bind a name to a function value in the first frame of the environment in which the **def** statement is executed.
- This new function value contains a link to this same environment.
- **Calling** a user-defined function creates a new local environment frame that binds the function's **formal parameters** to the operand values (**actual parameters**) in the call.
- This new local frame is attached to an existing (parent) frame that is taken from the function value that is called, forming a new local environment in which the function's body is evaluated.

## Example: Evaluation of a Call: sum\_square(3,4)



See in Python Tutor

## What Does This Do (And Why)?

```
def id(x):
    return x
print(id(id(id(13)))
```

Execute this

## Answer

```
def id(x):
    return x
print(id(id)(id(13)))
```

- We'll denote the user-defined function value created by `def id():...` by the shorthand `id`.
- Evaluation proceeds like this:

```
id(id)(id(13))
⇒ id (id) (id (13))
⇒ id (id (13))
  (because first id call returns its argument).
⇒ id (13)
  (because inner id call returns its argument).
⇒ 13
  (because call to returned id value returns its argument).
```

- **Important:** There is nothing new on this slide! Everything follows from what you've seen so far.

## Nested Functions

- In lecture #2, I had this example:

```
def incr(n):
    def f(x):
        return n + x
    return f
```

```
incr(5)(6)
```

- We evaluated the argument to `print` by substitution:

```
incr(5) ==> def f(x): return 5 + x
              return f
              ==> func f(x): 5 + x
```

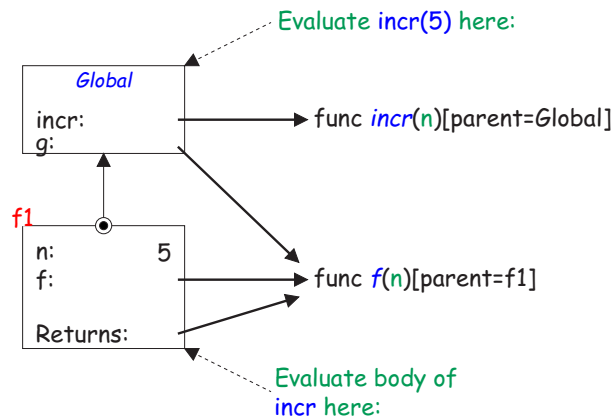
```
incr(5)(6) ==> func f(x): 5 + x (6) ==> 5 + 6 ==> 11
```

- So how does this work with environments?

## Environments for incr (I)

```
def incr(n):
    def f(x):
        return n + x
    return f
```

```
# Break incr(5)(6)
# into two steps:
g = incr(5)
print(g(6))
```

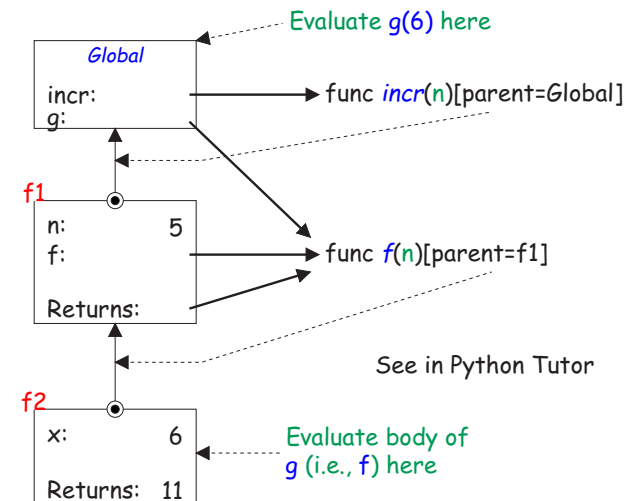


- The parent pointer of `incr` is `Global` because the definition of `incr` was evaluated in the global environment.
- The parent pointer for the value of `g` (returned by `incr(5)`) is `f1`, not `Global`, because the definition of `f` was evaluated in `f1`.

## Environments for incr (II)

```
def incr(n):
    def f(x):
        return n + x
    return f

g = incr(5)
print(g(6))
```



- `f2` gets its parent pointer from `g`'s value, since it is the local frame for evaluating a call to `g`. (Same rule for `f1`.)

## Recap

- Every expression or statement is evaluated in an environment—a sequence of frames.
- Every assignment to a variable and every **def** binds (or changes the binding) of its variable or defined name in the first frame of this environment.
- Every frame (except the global frame) is linked to a parent frame.
- Every function **value** is linked to the environment in which its **def** is evaluated.
- Every function **call** creates a new local frame that is linked to the same frame as the function value being called.
- The total effect is the same as for the substitution model, but we can also handle changes in the values of variables.
- Looking ahead, there are still two constructs—**global** and **nonlocal**—that will require additions.
- But what we have here basically covers how names work in most of Python.

Last modified: Sun Jan 24 22:42:08 2021

CS61A: Lecture #3 13

## New Topic: Control

- The expressions we've seen evaluate all of their operands in the order written.
- While there are very clever ways to do everything with just this [challenge!], it's generally clearer to introduce constructs that **control** the order in which their components execute.
- A **control expression** evaluates some or all of its operands in an order depending on the kind of expression, and typically on the values of those operands.
- A **statement** is a construct that produces no value, but is used solely for its side effects.
- A **control statement** is a statement that, like a control expression, evaluates some or all of its operands, etc.
- We typically speak of statements being **executed** rather than evaluated, but the two concepts are essentially the same, apart from the question of a value.

Last modified: Sun Jan 24 22:42:08 2021

CS61A: Lecture #3 14

## Conditional Expressions (I)

- The most common kind of control is **conditional evaluation** (or **execution**).
- In Python, to evaluate  
`TruePart if Condition else FalsePart`
  - First evaluate **Condition**.
  - If the result is a "true value," evaluate **TruePart**; its value is then the value of the whole expression.
  - Otherwise, evaluate **FalsePart**; its value is then the value of the whole expression.

• **Example:**

If x is 2:	If x is 0:
<code>1 / x if x != 0 else 1</code>	<code>1 / x if x != 0 else 1</code>
<code>1 / x if 2 != 0 else 1</code>	<code>1 / x if 0 != 0 else 1</code>
$\Rightarrow 1 / x$ if <code>True</code> else 1	$\Rightarrow 1 / x$ if <code>False</code> else 1
$\Rightarrow 1 / x$	$\Rightarrow 1$
$\Rightarrow 1 / 2$	$\Rightarrow 1$
$\Rightarrow 0.5$	

Last modified: Sun Jan 24 22:42:08 2021

CS61A: Lecture #3 15

## "True Values"

- Conditions in conditional constructs can have any value, not just True or False.
- For convenience, Python treats a number of values as indicating "false":
  - False
  - None
  - 0
  - Empty strings, sets, lists, tuples, and dictionaries.
- All else is a "true value" by default.
- For example:

`13 if 0 else 5 == 13 if [] else 5 == 5`

Last modified: Sun Jan 24 22:42:08 2021

CS61A: Lecture #3 16

## Conditional Expressions (II)

- To evaluate *Left and Right*
  - Evaluate *Left*.
  - If it is a false value, that becomes the value of the whole expression.
  - Otherwise the value of the expression is that of *Right*.
- This is an example of something called "*short-circuit evaluation*."
- For example,
  - `5 and "Hello"`  $\Rightarrow$  `"Hello"`.
  - `[] and 1 / 0`  $\Rightarrow$  `[]`. (*1/0 is not evaluated.*)

## Conditional Expressions (III)

- To evaluate *Left or Right*
  - Evaluate *Left*.
  - If it is a true value, that becomes the value of the whole expression.
  - Otherwise the value of the expression is that of *Right*.
- Another example of "*short-circuit evaluation*."
- For example,
  - `5 or "Hello"`  $\Rightarrow$  `5`.
  - `[] or "Hello"`  $\Rightarrow$  `"Hello"`.
  - `[1, 2] or 1 / 0`  $\Rightarrow$  `[1, 2]`.
  - `[] or 1 / 0`  $\Rightarrow$  `ERROR`.

## Conditional Statement

- Finally, this all comes in statement form:

```
if Condition1:
    Statements1
elif Condition2:
    Statements2
...
else:
    Statementsn
```
- Execute (only) *Statements<sub>1</sub>* if *Condition<sub>1</sub>* evaluates to a true value.
- Otherwise execute *Statements<sub>2</sub>* if *Condition<sub>2</sub>* evaluates to a true value (*elif*s are optional parts).
- ...
- Otherwise execute *Statements<sub>n</sub>* (*else* is an optional part).

## Examples

```
# Alternative Definitions

def signum(x):
    if x > 0:
        return 1
    elif x == 0:
        return 0
    else:
        return -1

def max(x, y):
    if x > y:
        return x
    else:
        return y

def min(x, y):
    if x < y:
        return x
    return y

def signum(x):
    return 1 if x > 0 else 0 if x == 0 else -1

def max(x, y):
    return x if x > y else y

def min(x, y):
    return x if x < y else y
```

## Side Trip: Suites and Sequences

- The sequence of indented statements after the colon in

```
if x >= 0:
    print(x)
    y = x
```

is called a *suite*. In effect it is a single statement formed from two.

- Executing the suite itself means executing each of its statements in sequence (unless one of them says otherwise).
- Every statement in the suite has the same indentation, and it ends at the next statement that is indented to a previous level:

```
x = 0
if x > 1:
    print(">1")
    if x < 6:
        print("<6")
    print("x =", x)
# Prints nothing

x = 0
if x > 1:
    print(">1")
    if x < 6:
        print("<6")
    print("x =", x)
# Prints "x = 0"
```

- Every language has some way of *grouping* statements like this.
- Few do it like Python. (Interesting story behind this.)

Last modified: Sun Jan 24 22:42:08 2021

CS61A: Lecture #3 21

## Iteration

- Suppose you would like to compute  $1^2 + 2^2 + \dots + 100^2$ .
- (Yes, I know there is a formula for this. Humor me.)
- You'd probably prefer not to write

```
print(1 ** 2 + 2 ** 2 + ... + 100 ** 2)
```

- Actually, we already know enough to do this:

```
def add_sq(accum, k, n):
    """Return ACCUM + K ** 2 + (K+1)**2 + ... + N**2."""
    if k > n:
        return accum
    else:
        return add_sq(accum + k ** 2, k + 1, n)
print(add_sq(0, 1, 100))
```

- Go ahead: try it in on a small case in the Python Tutor.
- This is an example of a *recursive function*. We'll come back to such functions later in the course.

Last modified: Sun Jan 24 22:42:08 2021

CS61A: Lecture #3 22

## While Statements

- Usually, though, programmers deal with problems like this summation using some kind of *looping construct*, which explicitly executes statements repeatedly.
- The **while** statement gives us *indefinite repetition*, meaning repetition until some condition is met (or as long as some condition is met).
- For our example, (also see a small case in the Python Tutor):

```
accum = 0
k = 1
n = 100
while k <= n:
    accum = accum + k ** 2
    k += 1 # Another way to write k = k + 1
print(accum)
```

- Meaning of the **while** loop:
  - A. Test the *loop condition* (here,  $k \leq n$ ).
  - B. If it's true, execute the suite that follows (the *loop body*), and then repeat from step A.
  - C. Otherwise, end the loop (and continue to the print call).

Last modified: Sun Jan 24 22:42:08 2021

CS61A: Lecture #3 23

## Example: Finding Prime Factors

- A *prime number* is an integer greater than 1 whose only factors are 1 and the number itself (e.g., 3, 5, 7, 11).
- So how do make this function fulfill its comment?

```
def is_prime(n):
    """Return True iff N is prime."""
    return n > 1 and smallest_factor(n) == n

def smallest_factor(n):
    """Returns the smallest value k>1 that evenly divides N."""
    ???

def print_factors(n):
    """Print the prime factors of N."""
    ???
```

- Try filling these in. (See Demo and also 03.py).

Last modified: Sun Jan 24 22:42:08 2021

CS61A: Lecture #3 24