

Introduction to MultiSim

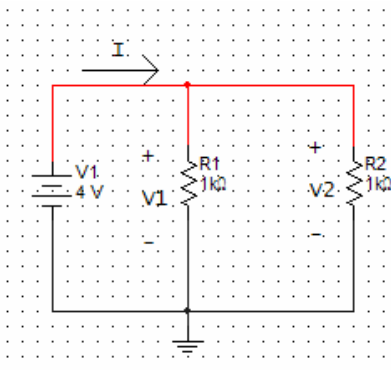
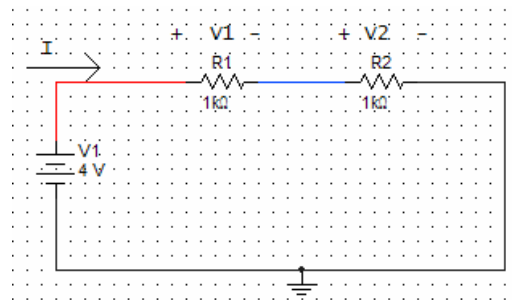
1. Objective: Simulate two very simple circuits in MultiSim

2. MultiSim Tutorial

Please go through the MultiSim tutorial available on the EE100 homepage (ask your instructor or TAs for the location of the tutorial).

3. The Experiment

Simulate the following circuits in MultiSim. Use the Agilent Multimeter(s) to measure the indicated quantities in each circuit.



4. Lab Report:

Circuit 1: $I =$ _____ $V1 =$ _____ $V2 =$ _____ TA checkoff: _____

Circuit 2: $I =$ _____ $V1 =$ _____ $V2 =$ _____ TA checkoff: _____