

PROBLEM SET #1

Issued: Friday, August 24, 2018

Due: Friday, August 31, 2018, 12:00 pm in the EE 105 homework box near 125 Cory.

For all problems, assume the op amps are ideal.

1. Sedra & Smith, Problem 2.14
2. Sedra & Smith, Problem 2.86
3. Sedra & Smith, Problem 2.92
4. Sedra & Smith, Problem 2.47
5. Sedra & Smith, Problem 2.50
6. Find expressions for the gain and input resistance in the three circuits in Figure PS1.1.

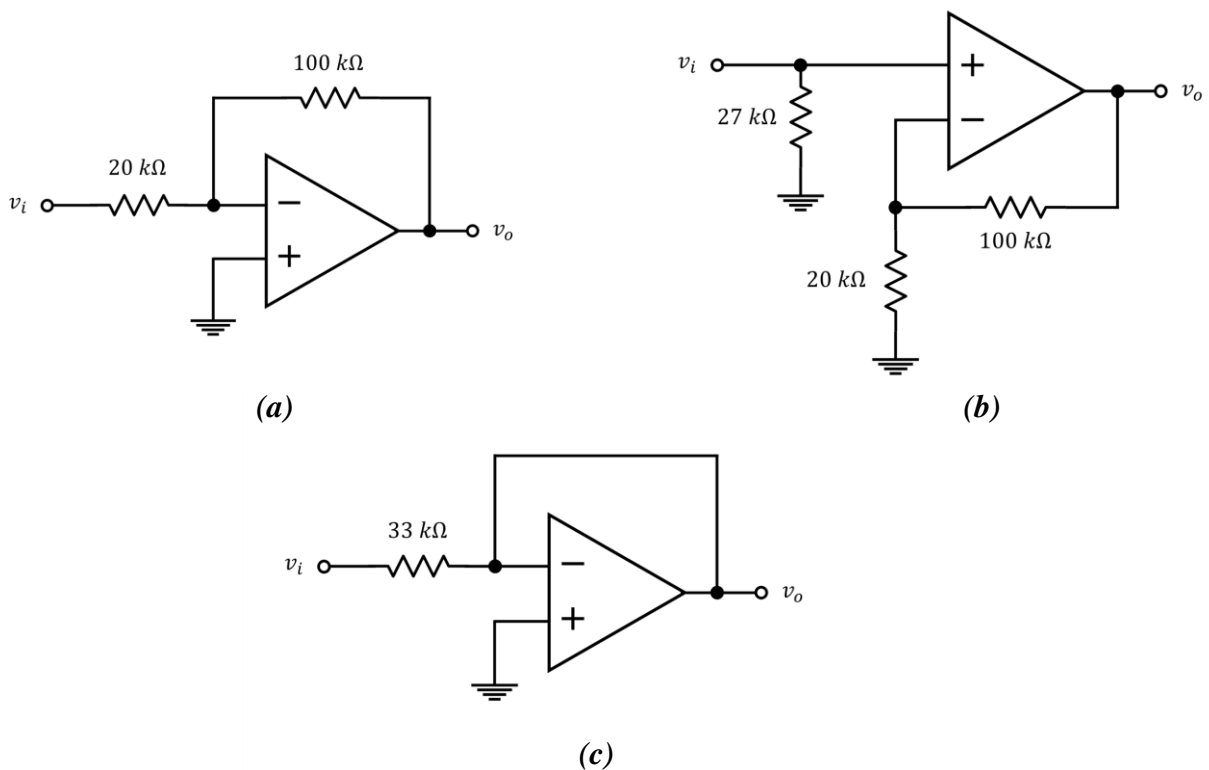


Figure PS1.1