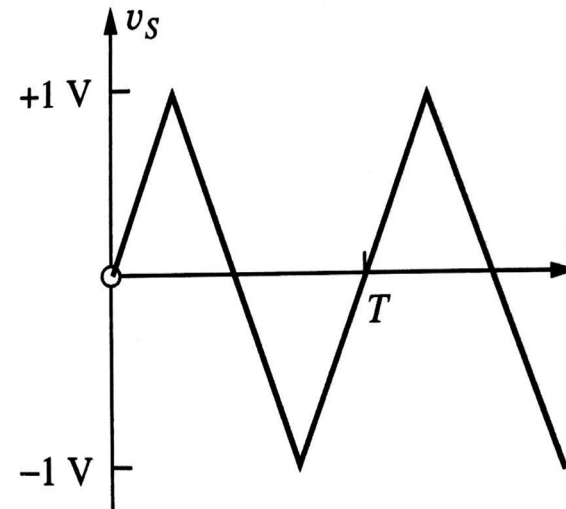
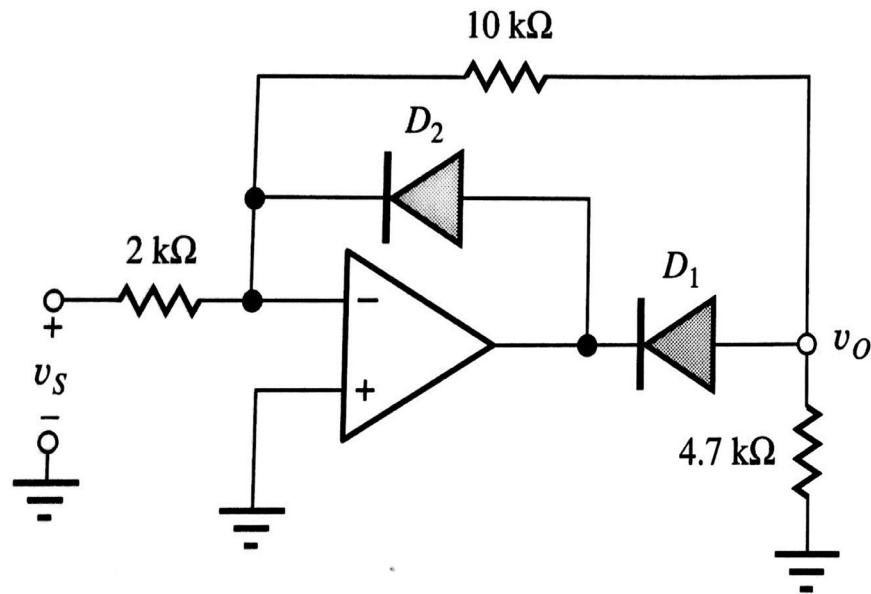


EE 105 Discussion

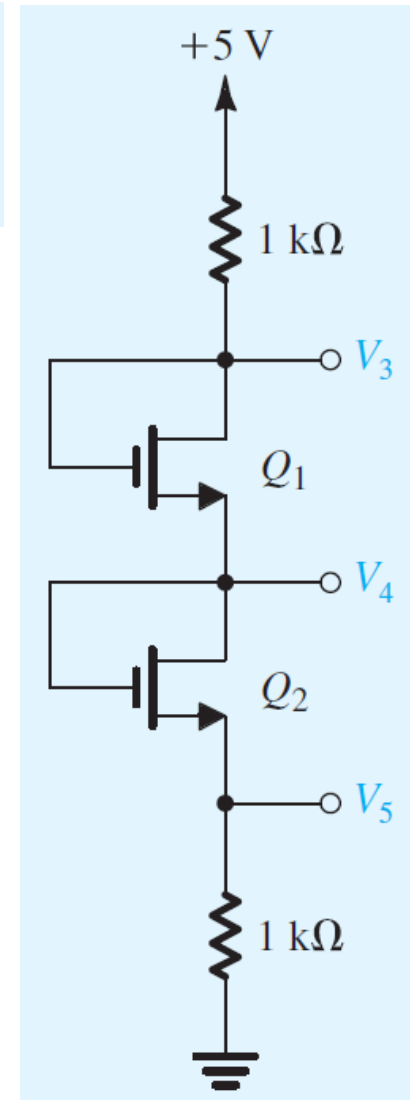
Ali Ameri, Kieran Peleaux

Exercise 1



Exercise 2

5.57 For each of the circuits shown in Fig. P5.57, find the labeled node voltages. The NMOS transistors have $V_t = 0.9\text{ V}$ and $k'_n(W/L) = 1.5\text{ mA/V}^2$.



Exercise 3

***6.42** In the circuit shown in Fig. P6.42, current source I is 1.1 mA, and at 25°C $v_{BE} = 680\text{ mV}$ at $i_E = 1\text{ mA}$. At 25°C with $\beta = 100$, what currents flow in R_1 and R_2 ? What voltage would you expect at node E?

