

PROBLEM SET #1

Issued: Friday, August 30, 2019

Due: Friday, September 6, 2019, at 12:00 noon via Gradescope.

For all problems, assume the op amps are ideal.

1. Sedra & Smith, Problem 1.68
2. Sedra & Smith, Problem 1.72
3. Sedra & Smith, Problem 1.43
4. Sedra & Smith, Problem 1.44
5. Sedra & Smith, Problem 1.78 (*Hint: Remember to use Norton & Thevenin source transformations to simplify analysis whenever possible.*)
6. Find expressions for the gain and input resistance in the three circuits in Figure PS1.1.

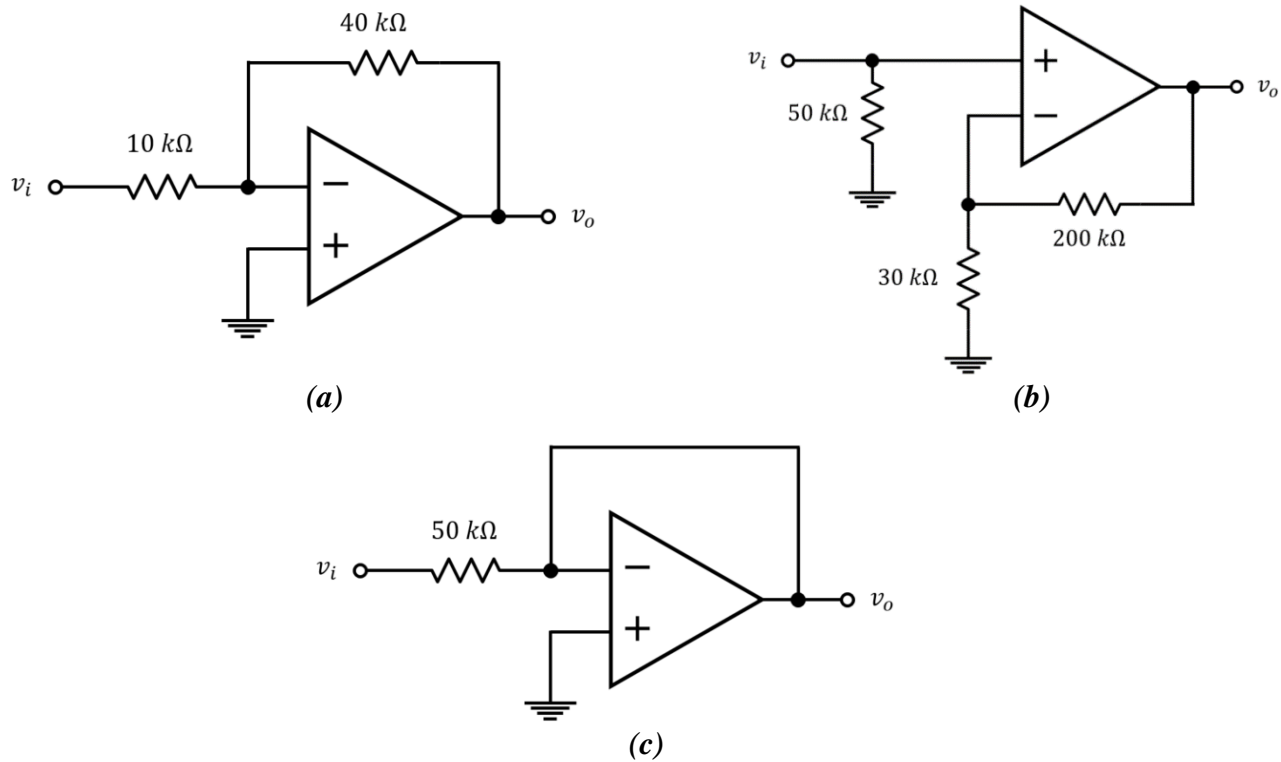


Figure PS1.1