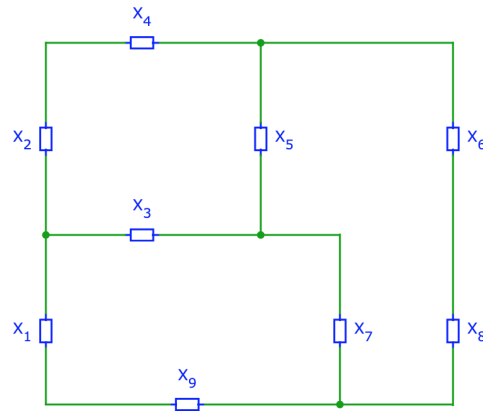

EECS 16A Designing Information Devices and Systems I Discussion 6B
 Fall 2019

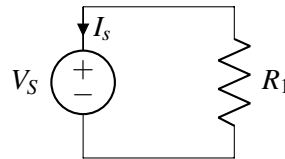
1. Nodes and Branches

In the circuit shown below, identify and count all nodes and branches.

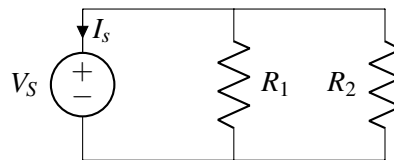


2. A Simple Circuit

- (a) For this problem assume $V_S = 1V$ and $R_1 = 1k\Omega$. Find the current flowing through the voltage source, I_S .



- (b) For this problem assume $V_S = 1V$, $R_1 = 2k\Omega$, and $R_2 = 2k\Omega$. Find the current flowing through the voltage source, I_S .



3. (Optional) Divider

For the circuit below, find the voltage V_{out} in terms of the resistances R_1 , R_2 , and V_S .

