

PRINT your name and student ID: _____

Waiver Option

At our discretion, we have provided you with the option to waive (or opt out of) one or more parts of the exam, in exchange for a baseline partial credit. You can identify each part that has been so designated quite easily; you'll notice a blank box awaiting your initials, with the following short declaration: "By my initials in the box, I waive this part and accept 10% of the credit."

If you find that you are unable to tackle the designated part with a reasonable level of fluency, it may be to your advantage to simply indicate to us—by signing your initials in the waiver box—that you want to simply forgo the work asked of you for that part. This is designed to save you time and allow you to focus on doing your best on other parts of the exam.

For example, suppose a part that involves a proof has 10 points of credit associated with it. You have practically no idea how to carry out the proof asked of you in that part. Instead of spending time writing potentially meritless work for us to evaluate, you choose to sign your initials in the waiver box, and get 10% of the credit, which is 1 point. This saves you time.

Be aware that for each waiver box that you sign with your initials, you are, in effect, declaring the following:

By signing my initials in the box to the left, I hereby waive my right to tackle this part of the exam. In exchange for my waiver, you will grant me 10% of the credit for this part of the problem. I acknowledge that nothing I write elsewhere for this part will be graded, and that there are no exceptions. I acknowledge, too, that the subject matter (including any result) addressed by this part may be needed in other parts of the exam, and that I may use, without penalty, elsewhere on the exam any result needed from this part.

If you choose, or otherwise fail to, sign your initials in a waiver box, you might lose anywhere from zero to the maximum number of points for that part. If you do sign the waiver box for a particular part, you will be guaranteed the 10% baseline credit for that part; in that case, no work that you show in the blank area for that part will be evaluated. No exceptions!

PRINT your name and student ID: _____

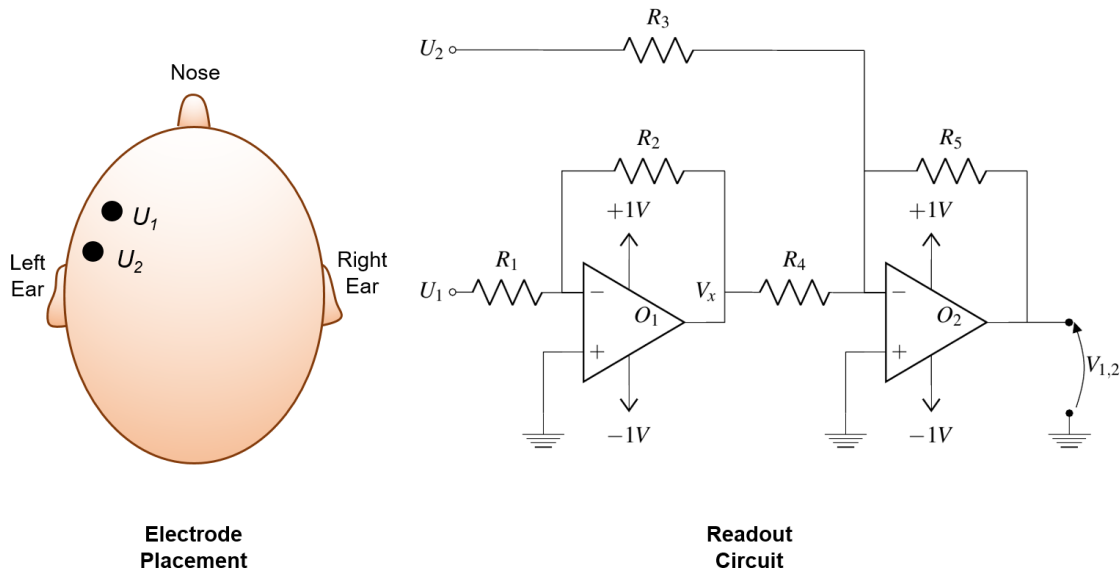
This page has been left intentionally blank. No work written here will be graded.

PRINT your name and student ID: _____

3. (40 Points) Are you sleepy? Let's see what your brainwaves say ...

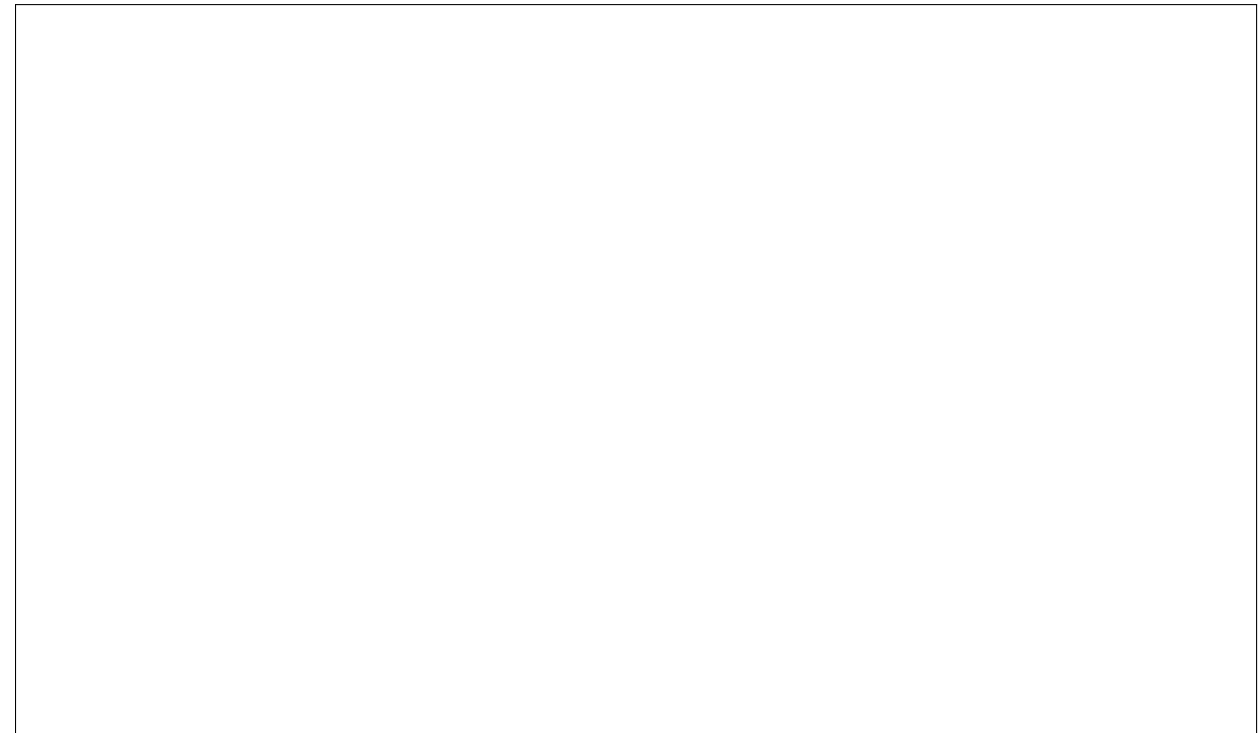
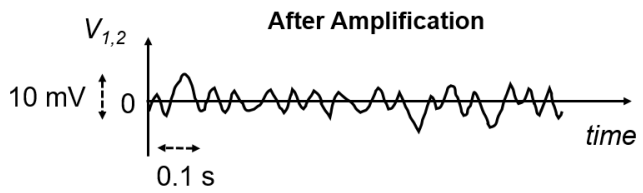
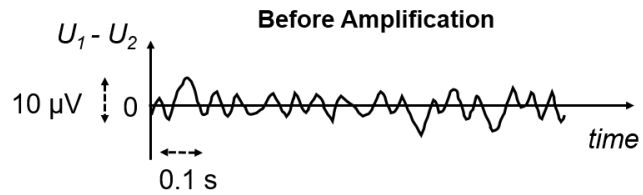
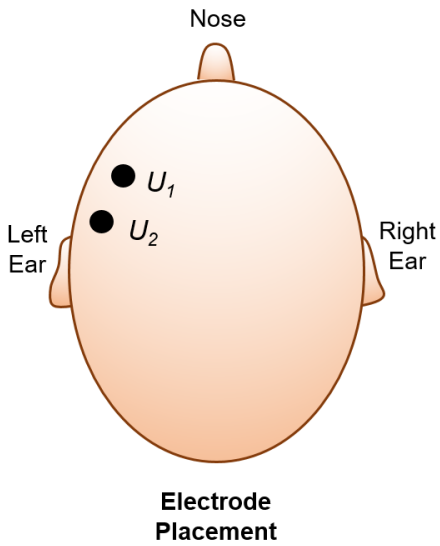
In this problem, you will design circuitry to record and analyze your brain signals. The technique, known as electroencephalogram (EEG), detects tiny voltage signals in your brain using small, flat metal discs (electrodes) attached to your scalp. Since you are designing a circuit for detecting drowsiness, you placed two electrodes at the front of the skull (locations 1 and 2 with potentials U_1 and U_2).

- (a) (10 Points) For the circuit block given below, express $V_{1,2}$ as a function of R_4 , R_5 , U_1 , and U_2 . Assume that the op-amp supplies are ± 1 V, and $R_1 = R_2$ and $R_3 = R_4$.



PRINT your name and student ID: _____

- (b) (5 Points) Locations 1 and 2 are typical EEG electrode placement locations and provide $U_1 - U_2 = 10\mu\text{V}$ oscillating signal with 10Hz frequency (Fig. Before Amplification). Since this is a tiny signal, you need to amplify it. Use the circuit in part (a) to amplify the signal such that $V_{1,2}$ becomes a 10mV oscillating signal (Fig. After Amplification). Recall that $1\text{mV} = 1000\mu\text{V}$. If $R_1 = R_2 = R_3 = R_4 = 100\Omega$, find R_5 .



PRINT your name and student ID: _____

- (c) (15 Points) For redundancy you added three additional sets of electrodes at locations 3 to 8, which behave similar to the previous pair at locations 1 and 2. Utilizing the circuit from part (a) now you have four measurements:

$$V_{1,2} = \text{Gain} \cdot (U_1 - U_2)$$

$$V_{3,4} = \text{Gain} \cdot (U_3 - U_4)$$

$$V_{5,6} = \text{Gain} \cdot (U_5 - U_6)$$

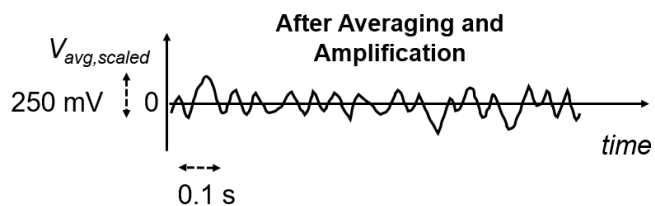
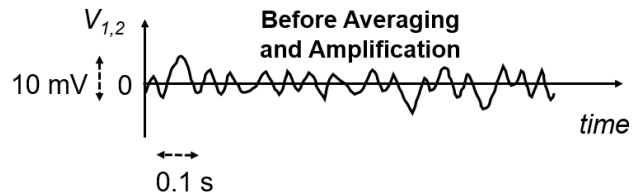
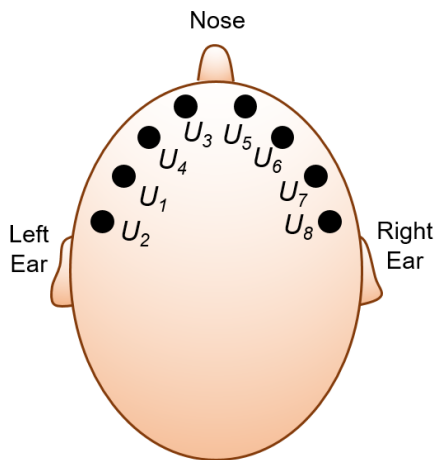
$$V_{7,8} = \text{Gain} \cdot (U_7 - U_8)$$

Remember, you already amplified the signal to 10mV level in part (b) (Fig. Before Averaging and Amplification). With this amplification the signal now comes up to 250mV level (Fig. After Averaging and Amplification).

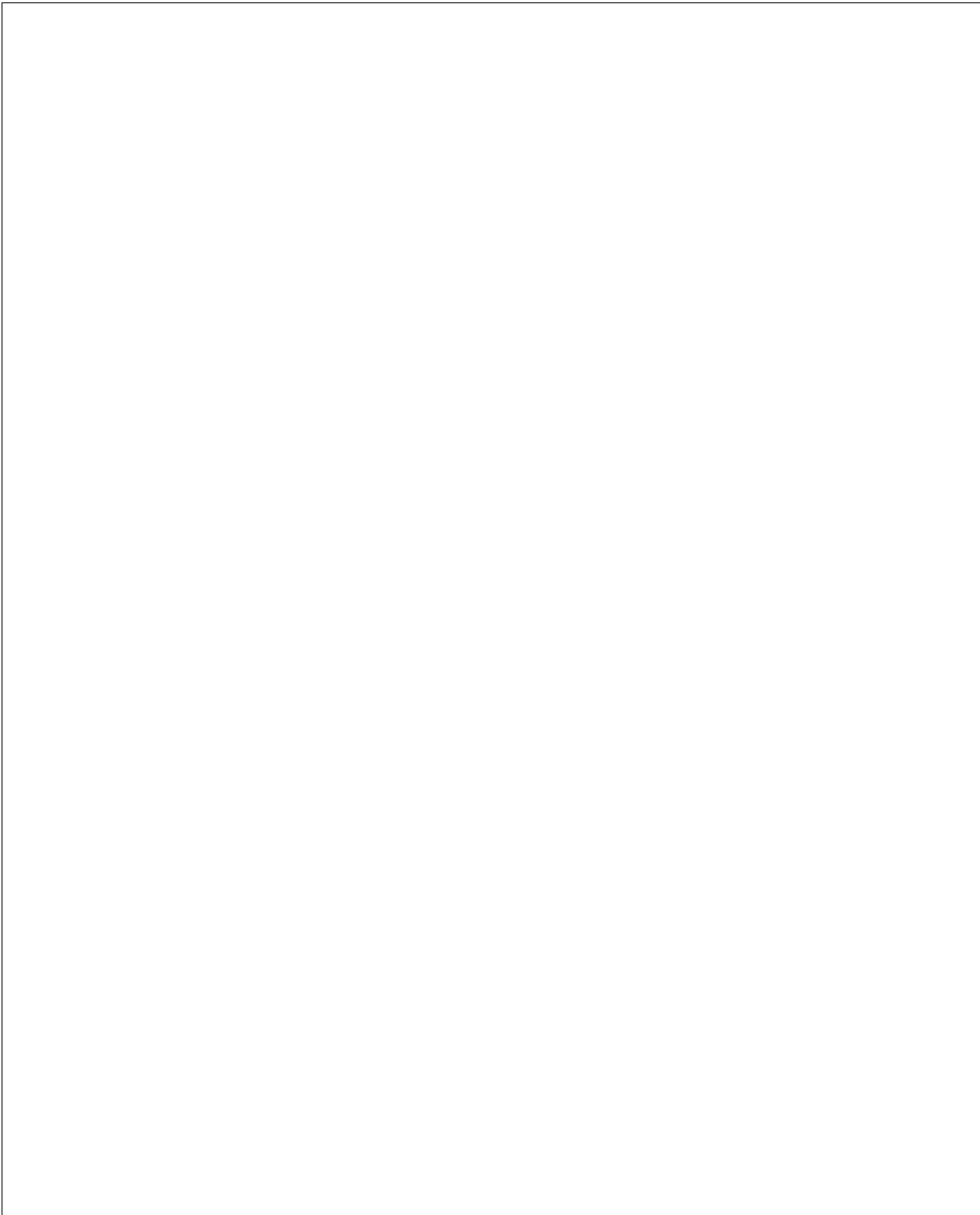
Now draw out a circuit that takes average of all four signals and amplifies the average by a factor of 25.

$$V_{avg,scaled} = 25 \cdot \frac{V_{1,2} + V_{3,4} + V_{5,6} + V_{7,8}}{4}$$

Use one op amp and six resistors for the circuit. Label all circuit elements. Provide the ratio of the resistors, e.g. $R_1 : R_2 : R_3 : R_4 : R_5 : R_6$



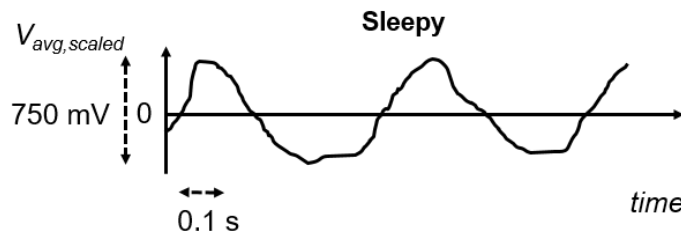
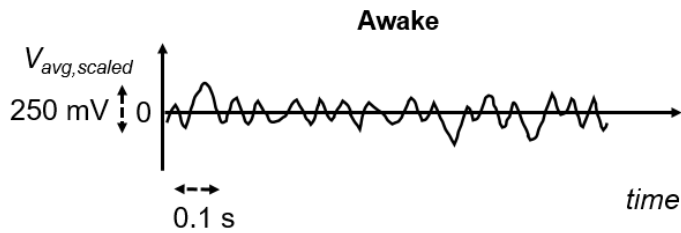
PRINT your name and student ID: _____



PRINT your name and student ID: _____

- (d) (10 Points) One of the artifacts of drowsiness is slow rolling of the eyes, which produces an EEG as shown in the graph marked **Sleepy**. Here the amplitude is 3 times larger than the **Awake** signal. Now that you have a robust signal acquisition system in place, you can detect if the subject is drowsy using the EEG signal. Draw out a circuit to generate a positive (+1 V) output if **Sleepy** and a negative (-1 V) output if **Awake**.

You don't need to output a positive signal the whole time, outputting a couple of times in a second will suffice. Use $V_{avg,scaled}$, a reference voltage V_{ref} , and a single op amp to implement your circuit. What's the range of V_{ref} to distinguish between **Awake** and **Sleepy**?

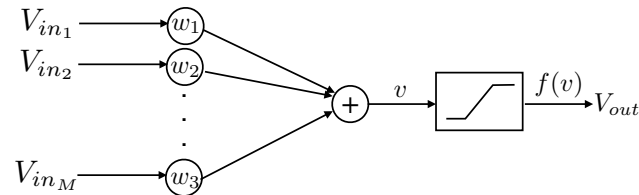


PRINT your name and student ID: _____

This page has been left intentionally blank. No work written here will be graded.

4. (40 Points) Brain-on-a-Chip with 16A Neurons

Neurelic Inc, is a hot new startup building chips that emulate some of the brain functions (for example associative memory). As an intern, fresh out of 16A you get to implement the neural network circuits on this chip. The neural network consists of neurons that consist of the following blocks shown on the figure below.

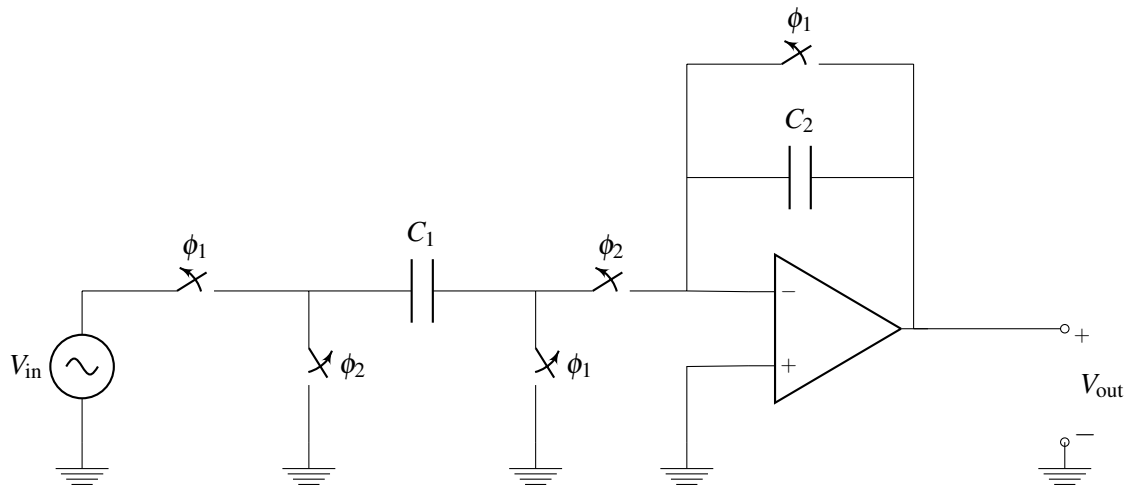


Input signals V_{in_i} are voltages from other neurons, which are multiplied by a constant weight w_i in each synapse and summed in the neuron. Each neuron also contains a nonlinear function (called a sigmoid) which is defined as

$$f(v) = \begin{cases} -1, & v \leq -1 \\ v, & -1 < v < 1 \\ +1, & v \geq +1 \end{cases}$$

where v is the internal neuron voltage after the synapse summer and $f(v)$ is the neuron voltage output.

- (a) Your mentor suggests that you warm-up first by analyzing the circuit below to use as neuron with a single synapse. ϕ_1 and ϕ_2 are non-overlapping clock phases that control the circuit switches.

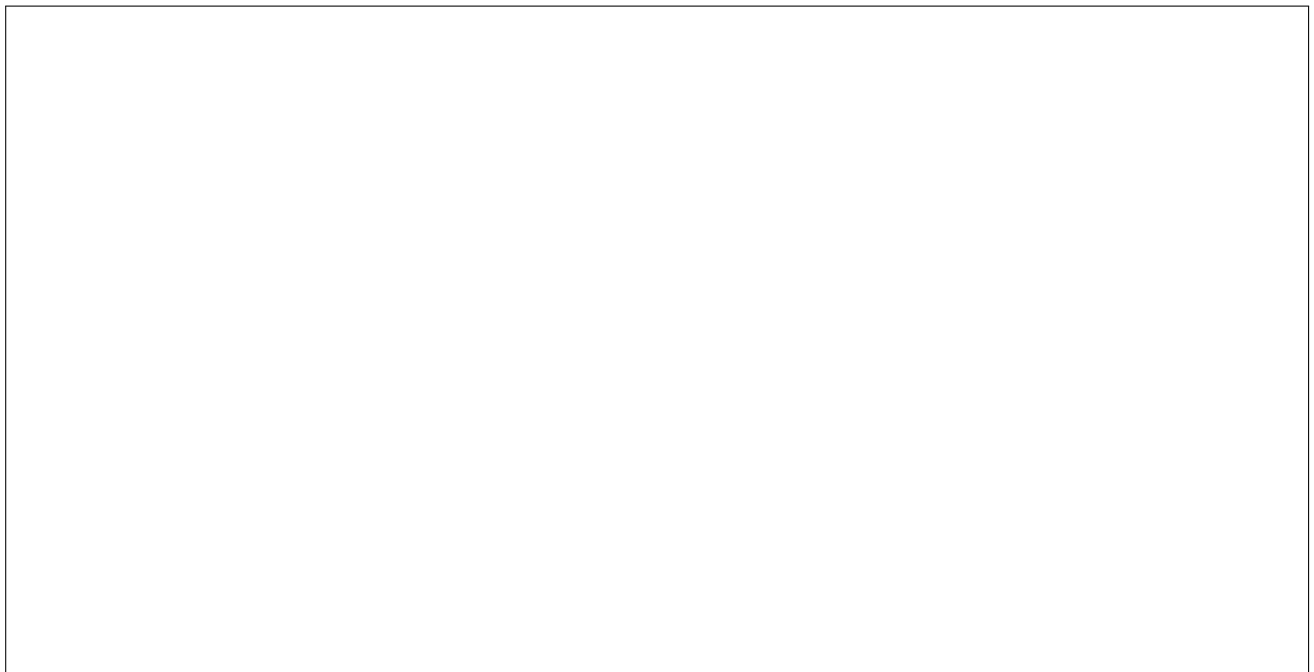


PRINT your name and student ID: _____

- i. (5 Points) Draw an equivalent circuit during ϕ_1 and write an expression for V_{out} as a function of V_{in} , C_1 and C_2 .



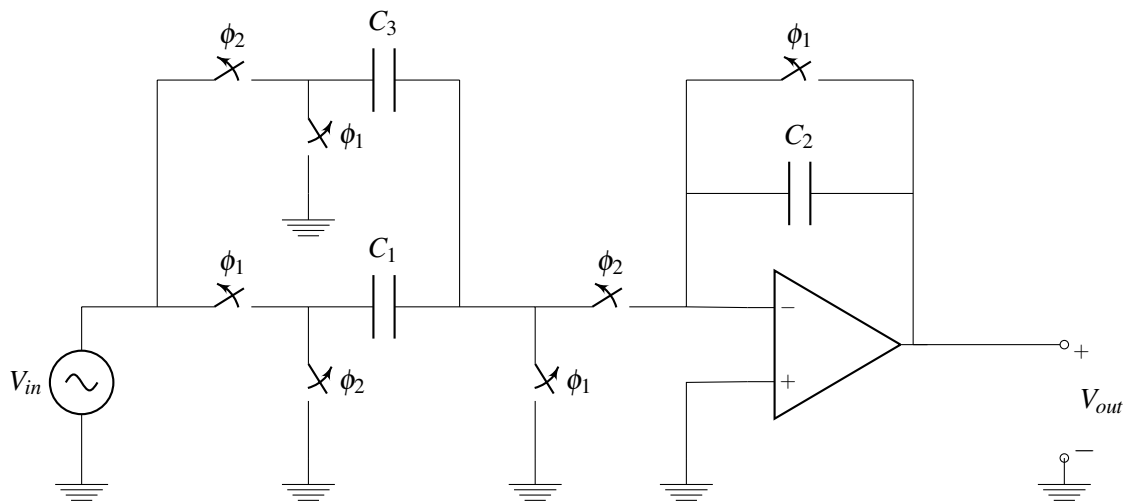
- ii. (5 Points) Draw an equivalent circuit during ϕ_2 and write an expression for V_{out} as a function of V_{in} , C_1 and C_2 .



PRINT your name and student ID: _____

- (b) (5 Points) Write an equation for V_{out} during ϕ_2 as a function of V_{in} for $C_1 = C_2$ and op-amp supply voltages of ± 1 V. Briefly explain how this circuit implements the sigmoid function.

- (c) Then, your mentor shows you the following neuron circuit, which can realize both positive and negative synapse weight and create $V_{out} = w_1 V_{in}$ in ϕ_2 .

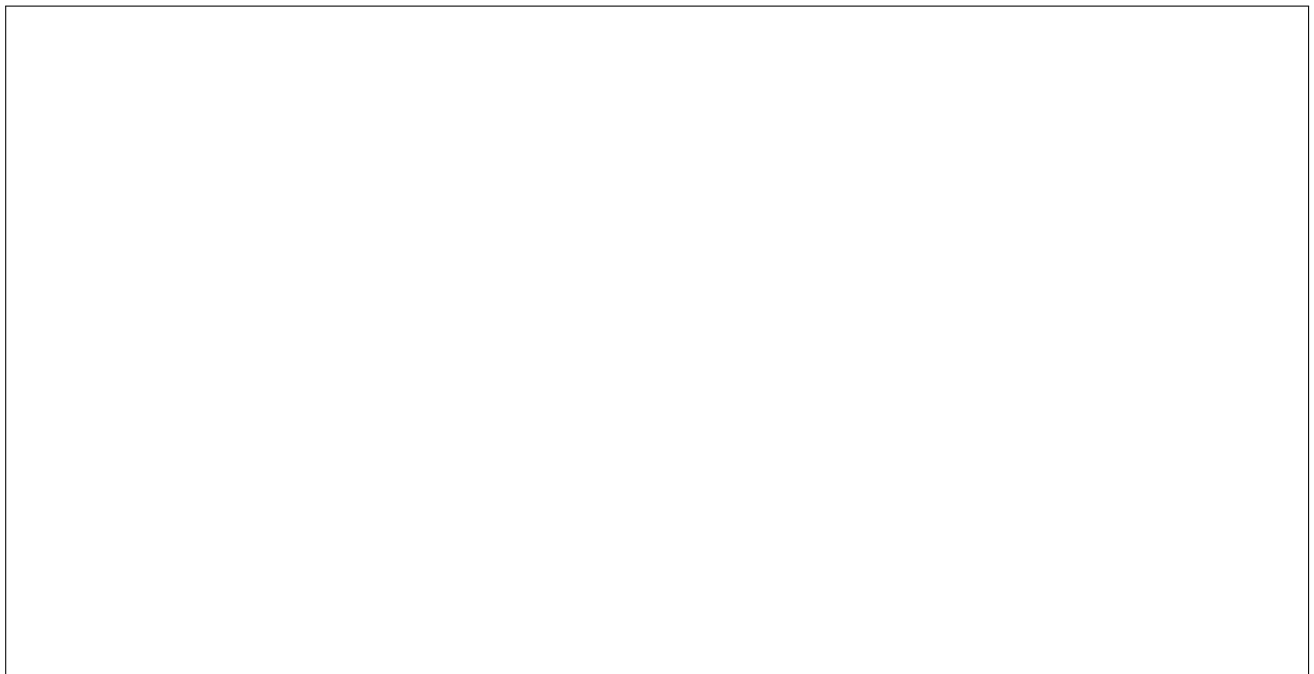


PRINT your name and student ID: _____

- i. (5 Points) Draw an equivalent circuit during ϕ_1 and write an expression for V_{out} as a function of V_{in} , C_1 , C_2 , and C_3 .

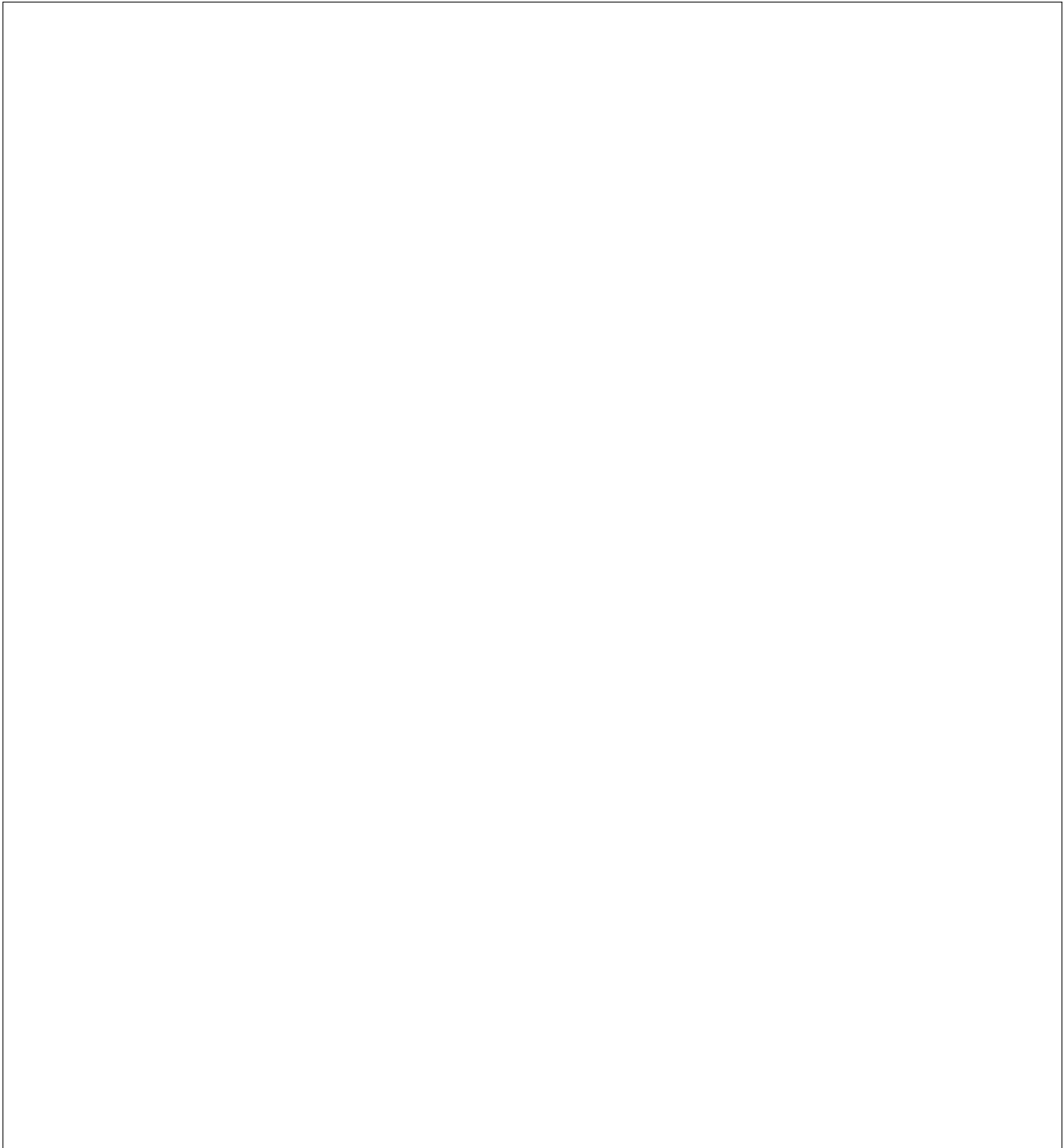


- ii. (5 points) Draw an equivalent circuit during ϕ_2 and write an expression for V_{out} as a function of V_{in} , C_1 , C_2 , and C_3 .



PRINT your name and student ID: _____

- (d) (15 Points) Now it is your turn to implement a neuron that realizes the following function $V_{out} = w_1 V_{in_1} + w_2 V_{in_2}$. Draw the circuit, such that $w_1 = 1/2$ and $w_2 = -1/4$. Label all circuit elements appropriately. You should use a single op-amp and as many capacitors and switches as you need. All capacitors must be of size C_{unit} . Assume that the op-amp power supplies are $\pm 1V$ (no need to draw them in the circuit). The circuit should operate in 2 phases, with $V_{out} = w_1 V_{in_1} + w_2 V_{in_2}$ in the second phase (ϕ_2), and reset in ϕ_1 .



PRINT your name and student ID: _____

5. (40 Points) Lateration with Linear Systems of Equations

In the lab, we used a microphone and several transmitters to find the microphone position. In this problem, we'll set up the system of equations you need in order to uniquely determine the microphone position. We will use 5 beacons for the setup on this exam.

All beacons transmit their unique signal at time 0 that each arrive at the microphone at different time T_m depending on the microphone position. Let $\tau_m = T_m - T_0$ be the time difference of arrival between beacon m and beacon 0.

- (a) (8 Points) Using the fact that $R_m = vT_m$, where R_m is the distance of the microphone from beacon m and v is the speed of the audio signals in air, show that we can write:

$$0 = v\tau_m + 2R_0 + \frac{R_0^2 - R_m^2}{v\tau_m} \quad (1)$$

where τ_m is the time difference of arrival for beacon 0 and beacon m .

<input type="text"/>	By my initials in the box, I waive this part and accept 10% of the credit.
----------------------	--

PRINT your name and student ID: _____

- (b) (8 Points) We introduce coordinates based on beacon 0. Beacon 0 is located at $(0,0)$, beacon m is located at known positions (x_m, y_m) . We try to find the microphone position in the sensor plane, given by (x, y) . We see that R_m , the distance of the microphone from beacon m , is a function of the microphone position:

$$R_m = \sqrt{(x - x_m)^2 + (y - y_m)^2} \quad (2)$$

By plugging the relationship from eq. ?? into eq. ?? above for R_0 , R_1 , and R_2 , we can write a system of equations with two equations and two unknowns:

$$0 = v\tau_1 + 2\sqrt{x^2 + y^2} + \frac{2x_1x - x_1^2 + 2y_1y - y_1^2}{v\tau_1} \quad (3)$$

$$0 = v\tau_2 + 2\sqrt{x^2 + y^2} + \frac{2x_2x - x_2^2 + 2y_2y - y_2^2}{v\tau_2} \quad (4)$$

What is the minimum number of beacons you can use to create this system of equations? Justify why you cannot use linear algebra methods to solve the system of equations in this part.

PRINT your name and student ID: _____

- (c) (8 Points) We can use extra information to make the system linear. Subtract Eq. ?? from Eq. ?. This is a linear equation, and should have the form of

$$ax + by + c = 0 \quad (5)$$

How many linear equations of this form can we construct with 3 beacons, and how many unknowns do we have? Can you use this system to find a unique solution for (x,y) using linear algebra methods? Why or why not?

<input type="checkbox"/> By my initials in the box, I waive this part and accept 10% of the credit.

PRINT your name and student ID: _____

- (d) (8 Points) For our microphone location system, we can use 5 beacons. Given 5 beacons, how many unique equations of the form $ax + by + c = 0$ can you write? (You do not need to write out the expressions for a , b , and c .) Write a matrix equation, $\mathbf{A}\vec{x} = \vec{b}$, in terms of a_n , b_n , and c_n , where the subscript n corresponds to one of the unique equations. (Also, use: $\vec{x} = \begin{bmatrix} x \\ y \end{bmatrix}$.)

PRINT your name and student ID: _____

- (e) (8 Points) There is always some error in every measurement. In the lateration case, the biggest error is probably in measuring the time of arrival for different beacons. This error can result in a situation in which $\mathbf{A}\vec{x} = \vec{b}$ has no solutions. Find a matrix expression for $\vec{\hat{x}}$, an estimate for \vec{x} that minimizes $\|\mathbf{A}\vec{x} - \vec{b}\|$.

PRINT your name and student ID: _____

6. (40 Points) Constrained Least-Squares Optimization

In this problem, you'll go through a process of guided discovery to solve the following optimization problem:

Consider a matrix $\mathbf{A} \in \mathbb{R}^{M \times N}$, of full column rank, where $M > N$. Determine a unit vector \vec{x} that minimizes $\|\mathbf{A}\vec{x}\|$, where $\|\cdot\|$ denotes the 2-norm—that is,

$$\|\mathbf{A}\vec{x}\|^2 \triangleq \langle \mathbf{A}\vec{x}, \mathbf{A}\vec{x} \rangle = (\mathbf{A}\vec{x})^T \mathbf{A}\vec{x} = \vec{x}^T \mathbf{A}^T \mathbf{A} \vec{x}.$$

This is equivalent to solving the following optimization problem:

$$\text{Determine } \vec{x} = \arg \min_{\vec{x}} \|\mathbf{A}\vec{x}\|^2 \quad \text{subject to the constraint } \|\vec{x}\|^2 = 1.$$

This task may *seem* like solving a standard least-squares problem $\mathbf{A}\vec{x} = \vec{b}$, where $\vec{b} = \vec{0}$, but it isn't. An important distinction is that in our problem, $\vec{x} = \vec{0}$ is *not* a valid solution, because the zero vector does not have unit length. Our optimization problem is a least squares problem with a constraint—hence the term *Constrained Least-Squares Optimization*. The constraint is that the vector \vec{x} must lie on the unit sphere in \mathbb{R}^N . You'll tackle this problem in a methodical, step-by-step fashion.

Let $(\lambda_1, \vec{v}_1), \dots, (\lambda_N, \vec{v}_N)$ denote the eigenpairs (i.e., eigenvalue/eigenvector pairs) of $\mathbf{A}^T \mathbf{A}$. Assume that the eigenvalues are all real and indexed in an ascending fashion—that is,

$$\lambda_1 \leq \dots \leq \lambda_N.$$

Assume, too, that each eigenvector has been normalized to have unit length—that is, $\|\vec{v}_k\| = 1$ for all $k \in \{1, \dots, N\}$.

(a) (10 Points) Show that $0 < \lambda_1$.

<input type="text"/>	By my initials in the box, I waive this part and accept 10% of the credit.
----------------------	--

PRINT your name and student ID: _____

- (b) (10 Points) Consider two eigenpairs (λ_k, \vec{v}_k) and $(\lambda_\ell, \vec{v}_\ell)$ corresponding to distinct eigenvalues of $\mathbf{A}^T \mathbf{A}$ —that is, $\lambda_k \neq \lambda_\ell$. Prove that the corresponding eigenvectors \vec{v}_k and \vec{v}_ℓ are orthogonal: $\vec{v}_k \perp \vec{v}_\ell$.

To help you get started, consider the two equations

$$\mathbf{A}^T \mathbf{A} \vec{v}_k = \lambda_k \vec{v}_k \quad (6)$$

and

$$\vec{v}_\ell^T \mathbf{A}^T \mathbf{A} = \lambda_\ell \vec{v}_\ell^T. \quad (7)$$

Premultiply Equation (??) by \vec{v}_ℓ^T , postmultiply Equation (??) by \vec{v}_k , compare the two, and explain how one may then infer that \vec{v}_k and \vec{v}_ℓ are orthogonal.

<input type="text"/>	By my initials in the box, I waive this part and accept 10% of the credit.
----------------------	--

PRINT your name and student ID: _____

- (c) (10 Points) Since the N eigenvectors of $\mathbf{A}^T \mathbf{A}$ are mutually orthogonal—and each has unit length—they form an orthonormal basis in \mathbb{R}^N . This means that we can express an arbitrary vector $\vec{x} \in \mathbb{R}^N$ as a linear combination of the eigenvectors $\vec{v}_1, \dots, \vec{v}_N$, as follows:

$$\vec{x} = \sum_{n=1}^N \alpha_n \vec{v}_n.$$

- i. (5 Points) Determine the n^{th} coefficient α_n in terms of \vec{x} and one or more of the eigenvectors $\vec{v}_1, \dots, \vec{v}_N$.

- ii. (5 Points) Suppose \vec{x} is a unit-length vector (i.e., a unit vector) in \mathbb{R}^N . Show that

$$\sum_{n=1}^N \alpha_n^2 = 1.$$

PRINT your name and student ID: _____

- (d) (10 Points) Now you're well-positioned to tackle the grand challenge of this problem—determine the unit vector \vec{x} that minimizes $\|\mathbf{A}\vec{x}\|$.

Note that the task is the same as finding a unit vector \vec{x} that minimizes $\|\mathbf{A}\vec{x}\|^2$.

Express $\|\mathbf{A}\vec{x}\|^2$ in terms of $\{\alpha_1, \alpha_2 \dots \alpha_N\}$, $\{\lambda_1, \lambda_2 \dots \lambda_N\}$, and $\{\vec{v}_1, \vec{v}_2 \dots \vec{v}_N\}$, and find an expression for \vec{x} such that $\|\mathbf{A}\vec{x}\|^2$ is minimized. You may *not* use any tool from calculus to solve this problem—so avoid differentiation of any flavor.

For the optimal vector \vec{x} that you determine—that is, the vector

$$\vec{x} = \arg \min_{\vec{x}} \|\mathbf{A}\vec{x}\|^2 \quad \text{subject to the constraint} \quad \|\vec{x}\|^2 = 1,$$

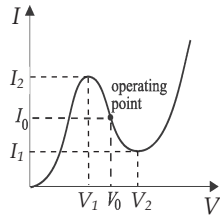
determine a simple, closed-form expression for the minimum value

$$\min_{\|\vec{x}\|=1} \|\mathbf{A}\vec{x}\| = \|\mathbf{A}\vec{x}\|.$$

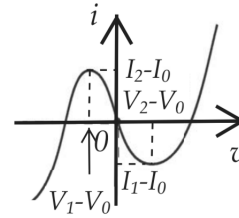
<input type="text"/>	By my initials in the box, I waive this part and accept 10% of the credit.
----------------------	--

7. (20 Points) Tunnel Diodes

Introduced by Leo Esaki in 1958, a *tunnel diode* is an electronic circuit element whose current-voltage (I - V) curve in a particular circuit (not shown) looks like the one shown in Figure (a) below—an adaptation of Figure 7.7 on p. 200 of the book *It's a Nonlinear World*, by Richard Enns, Springer, 2011. Note that in the plot, the current I can be thought of as a function of the voltage V . **For the purposes of this problem, you need not know anything about diodes.**



(a) I-V Curve



(b) Re-centered I-V Curve

As a well-trained UC Berkeley engineer, you decide to recenter the I - V curve to the operating point (V_0, I_0) . That is, you define new variables i and v such that:

$$i = I - I_0 \quad \text{and} \quad v = V - V_0,$$

This leads to the i - v curve shown in Figure (b). You're charged with the task of determining the parameters that characterize the tunnel diode. In particular, you learn that:

- the diode can be characterized by the cubic polynomial

$$i = -\alpha v + \beta v^3,$$

where $\alpha, \beta > 0$; and

- if you make M voltage current measurements (v_m, i_m) where $m = 1, 2, \dots, M$, you can then estimate the unknown parameters α and β .

For simplicity, and without loss of generality, assume throughout this problem that the vector of voltage measurements

$$\begin{bmatrix} v_1 \\ \vdots \\ v_M \end{bmatrix}$$

has unit length. That is,

$$\sum_{m=1}^M v_m^2 = 1.$$

You make all the necessary measurements, and set up a set of M linear equations in two unknowns, as follows:

$$\underbrace{\begin{bmatrix} -v_1 & v_1^3 \\ \vdots & \vdots \\ -v_M & v_M^3 \end{bmatrix}}_{\mathbf{A}} \underbrace{\begin{bmatrix} \alpha \\ \beta \end{bmatrix}}_{\vec{x}} = \underbrace{\begin{bmatrix} i_1 \\ \vdots \\ i_M \end{bmatrix}}_{\vec{b}},$$

PRINT your name and student ID: _____

The columns of the matrix \mathbf{A} ,

$$a_1 = \begin{bmatrix} -v_1 \\ \vdots \\ -v_M \end{bmatrix} \quad \text{and} \quad a_2 = \begin{bmatrix} v_1^3 \\ \vdots \\ v_M^3 \end{bmatrix},$$

are not mutually orthogonal. Orthogonalize them, and determine a QR decomposition of \mathbf{A} . Take as your first orthonormal vector q_1 the first column of \mathbf{A} , which is already of unit length. Determine completely the second orthonormal vector q_2 and the 2×2 upper-triangular matrix \mathbf{R} in the decomposition $\mathbf{A} = \mathbf{QR}$.

By my initials in the box, I waive this part and accept 10% of the credit.

