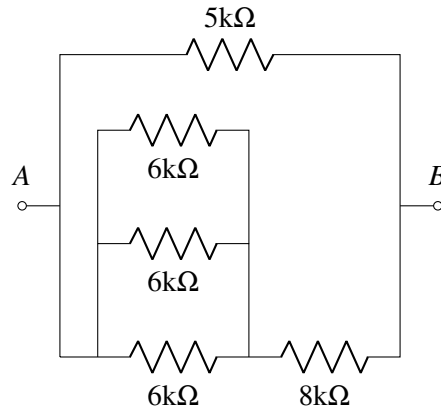

EECS 16A Designing Information Devices and Systems I Discussion 8A
 Fall 2021

1. Series and Parallel Combinations

For the resistor network shown below, find an equivalent resistance between the terminals A and B using the resistor combination rules for series and parallel resistors.

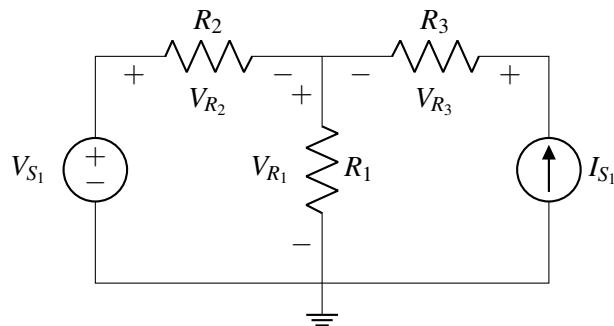


2. Superposition

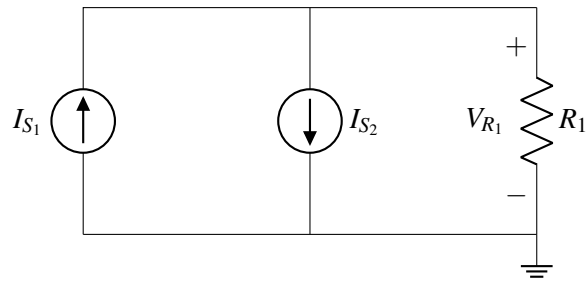
For the following circuits:

- Use the superposition theorem to solve for the voltages across the resistors. First, redraw the circuits with just one source (while zero-ing the other source). Then, for each circuit solve for each element voltage. Finally, sum the voltages at each node.

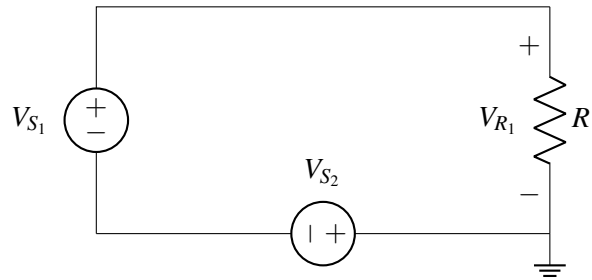
(a)



(b)

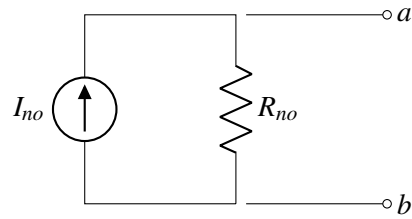
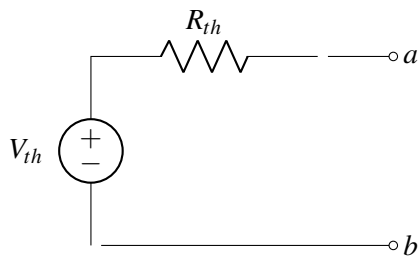


(c) (PRACTICE)



3. Thevenin and Norton Equivalence

The general Thévenin and Norton equivalents are shown below:



Find the Thévenin and Norton equivalents across terminals a and b for the circuit given below.

