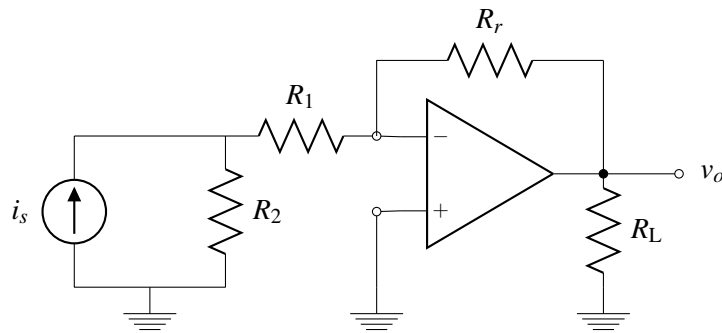


1. Amplifier with input current source

For the circuit shown below obtain an expression for $K_t = \frac{v_o}{i_s}$ and evaluate it for $R_1 = 1k\Omega$, $R_2 = 30k\Omega$ and $R_L = 10k\Omega$.



2. Cascaded Amplifier

Find the gain for the circuit below.

