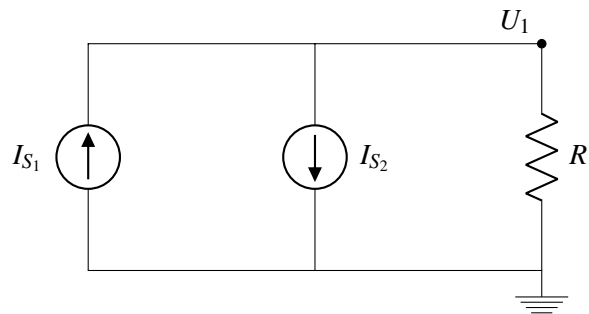


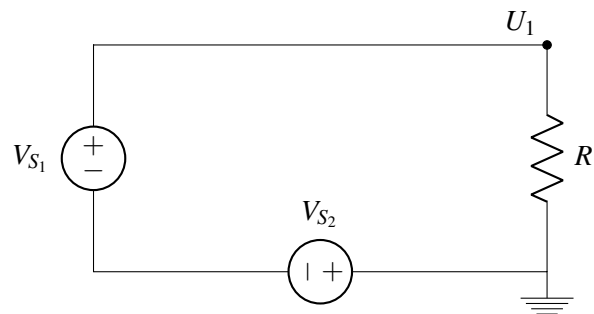
1. Superposition Practice

For the following circuits, use the superposition theorem to solve for the node potential U_1 .

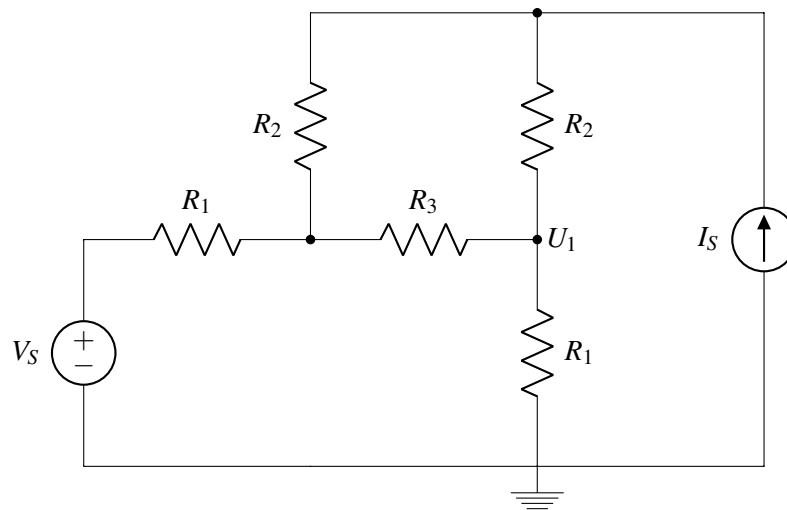
(a)



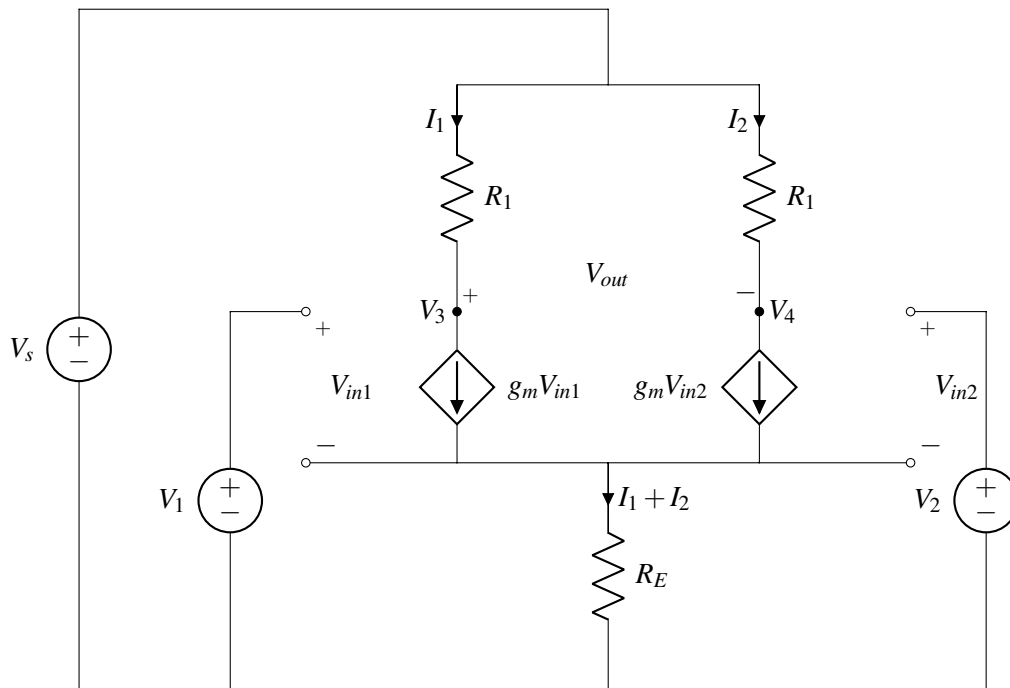
(b)



(c)



2. Superposition



- For the circuit above, first calculate V_{out} with only V_s on.
- Now calculate V_{out} with only V_1 on. Repeat this with only V_2 on.
- Let's now turn on V_s , V_1 and V_2 . What is the output V_{out} ? What does this circuit do to arbitrary input voltages?