

# EECS 16A Designing Information Devices and Systems I

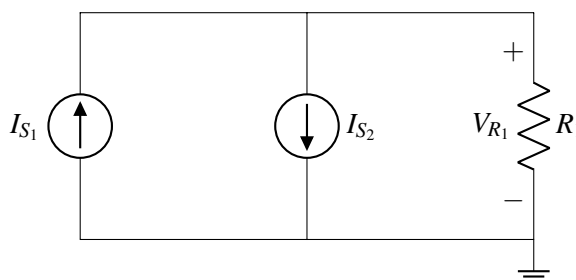
## Summer 2020 Discussion 4A

### 1. Superposition

For the following circuits:

- Use the superposition theorem to solve for the voltages across the resistors.
- For parts (a) and (b) only, find the power dissipated/generated by all components. Is power conserved?

(a)



**Answer:**

- While we could apply the algorithm we have learned in class, let's see if there's a way to find the answer quicker than before. We're looking for the voltage across the resistor, which could be found quickly using Ohm's law if we knew the current. If we were to apply KCL at the node at the top of the circuit, one source is coming in, the other source is leaving, and the current through the resistor is leaving. From KCL, we then know  $i_{R_1} = I_{S_1} - I_{S_2}$ . Applying Ohm's Law we find:

$$V_{R_1} = (I_{S_1} - I_{S_2})R_1$$

We could also solve this using superposition. Turning on  $I_{S_1}$  gives  $V_{R_1} = I_{S_1}R_1$ . Turning on  $I_{S_2}$  gives  $V_{R_1} = -I_{S_2}R_1$ . Finally, the total  $V_{R_1}$  is the sum of the individual  $V_{R_1}$ 's or

$$V_{R_1} = (I_{S_1} - I_{S_2})R_1$$

ii.

$$P_{R_1} = \frac{V_{R_1}^2}{R_1} = (I_{S_1} - I_{S_2})^2 R_1$$

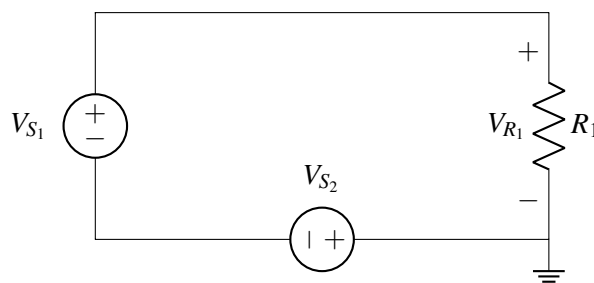
$$P_{I_{S_1}} = -I_{S_1} V_{R_1} = -(I_{S_1} - I_{S_2}) I_{S_1} R_1$$

$$P_{I_{S_2}} = I_{S_2} V_{R_1} = (I_{S_1} - I_{S_2}) I_{S_2} R_1$$

$$P_{R_1} + P_{I_{S_1}} + P_{I_{S_2}} = (I_{S_1} - I_{S_2})^2 R_1 - (I_{S_1} - I_{S_2}) I_{S_1} R_1 + (I_{S_1} - I_{S_2}) I_{S_2} R_1 = 0$$

Power is conserved.

(b)



**Answer:**

- i. Once again, we could apply the circuit analysis algorithm or find the answer directly. Notice the circuit only has one loop, so we can use KVL to find the voltage across the resistor.

$$V_{R_1} = V_{S_1} - V_{S_2}$$

We could also solve with superposition. Turning on  $V_{S_1}$  gives  $V_{R_1} = V_{S_1}$ . Turning on  $V_{S_2}$  gives  $V_{R_1} = -V_{S_2}$ . The overall voltage is then the sum.

$$V_{R_1} = V_{S_1} - V_{S_2}$$

ii.

$$P_{R_1} = \frac{V_{R_1}^2}{R_1} = \frac{(V_{S_1} - V_{S_2})^2}{R_1}$$

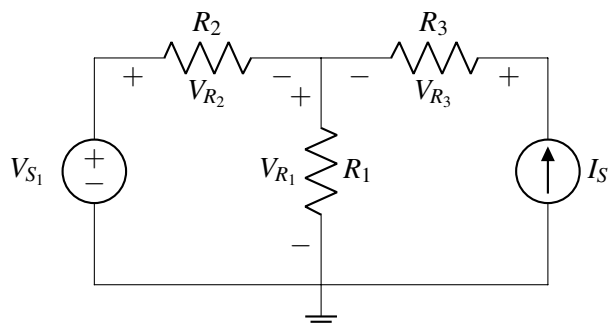
$$P_{V_{S_1}} = -I_{R_1} V_{S_1} = -\frac{V_{S_1}(V_{S_1} - V_{S_2})}{R_1}$$

$$P_{V_{S_2}} = I_{R_1} V_{S_2} = \frac{V_{S_2}(V_{S_1} - V_{S_2})}{R_1}$$

$$P_{R_1} + P_{V_{S_1}} + P_{V_{S_2}} = \frac{(V_{S_1} - V_{S_2})^2}{R_1} - \frac{V_{S_1}(V_{S_1} - V_{S_2})}{R_1} + \frac{V_{S_2}(V_{S_1} - V_{S_2})}{R_1} = 0$$

Power is conserved.

(c)



**Answer:** Turning on only  $V_{S_1}$ , we have the following voltages across the resistors:

$$V_{R_1} = \frac{R_1}{R_1 + R_2} V_{S_1}$$

$$V_{R_2} = \frac{R_2}{R_1 + R_2} V_{S_1}$$

$$V_{R_3} = 0$$

Then turning only  $I_{S_1}$ , we have the following voltages:

$$V_{R_1} = \frac{R_1 R_2}{R_1 + R_2} I_{S_1}$$

$$V_{R_2} = -\frac{R_1 R_2}{R_1 + R_2} I_{S_1}$$

$$V_{R_3} = I_{S_1} R_3$$

Using superposition we can sum up the contributions from both  $V_{S_1}$  and  $I_{S_1}$  to get:

$$V_{R_1} = \frac{R_1}{R_1 + R_2} V_{S_1} + \frac{R_1 R_2}{R_1 + R_2} I_{S_1}$$

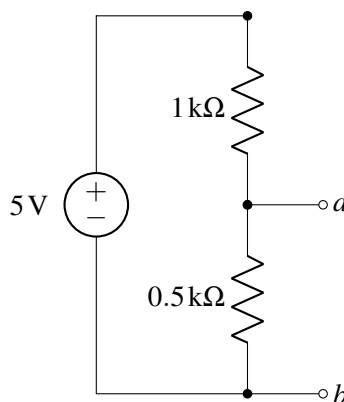
$$V_{R_2} = V_{S_1} - V_{R_1} = \frac{R_2}{R_1 + R_2} V_{S_1} - \frac{R_1 R_2}{R_1 + R_2} I_{S_1}$$

$$V_{R_3} = I_{S_1} R_3$$

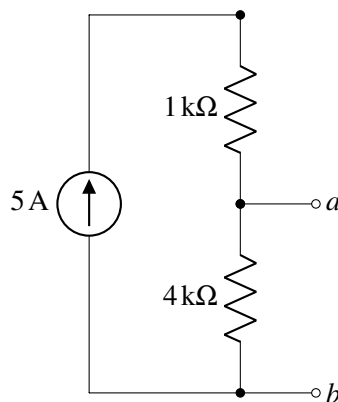
## 2. Thevenin and Norton Equivalence

Find the Thévenin and Norton equivalents across terminals  $a$  and  $b$  for the circuits given below.

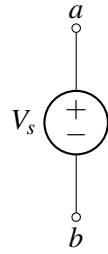
(a)



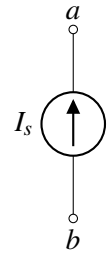
(b)



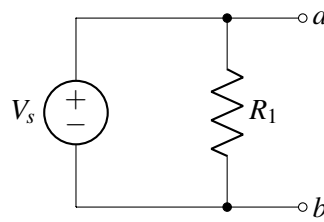
(c)



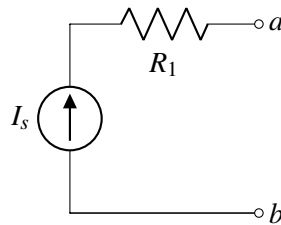
(d)



(e) (Practice)

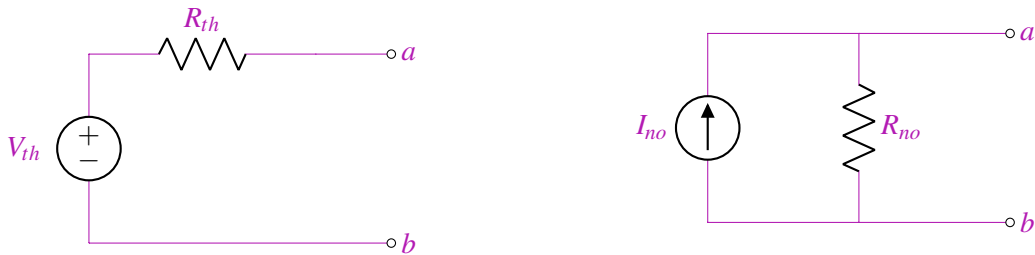


(f) (Practice)



**Answer:**

The general Thévenin and Norton equivalents are shown below:



(a)

$$V_{th} = 1.67 \text{ V}, I_{no} = 5 \text{ mA}, R_{th} = R_{no} = 333 \Omega$$

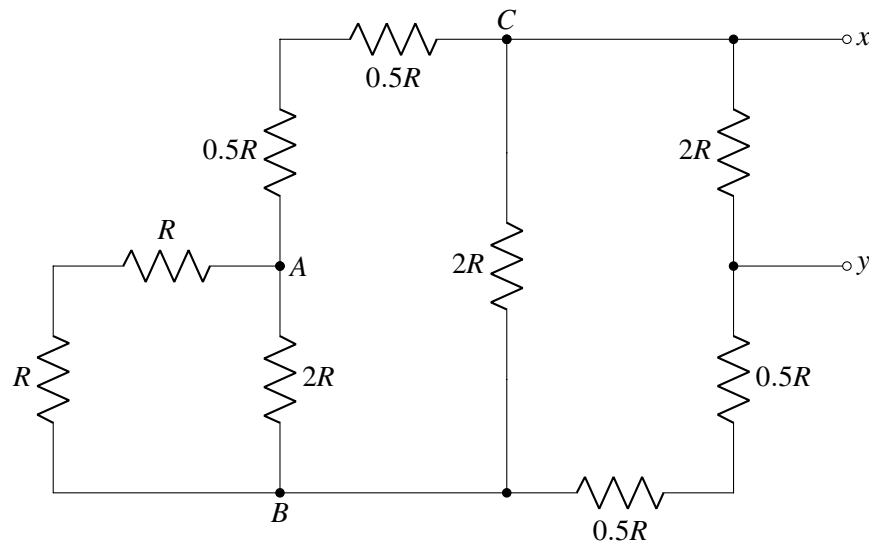
(b)

$$V_{th} = 20\,000\text{ V}, I_{no} = 5\text{ A}, R_{th} = R_{no} = 4000\ \Omega$$

- (c) A Norton equivalent of a voltage source is not necessary, since a voltage source is a basic element. The Thévenin equivalent is just a voltage source with voltage  $V_s$ , that is,  $R_{th} = 0$ .
- (d) A Thévenin equivalent of a current source is not necessary because a current source is a basic element and cannot be represented as a voltage source. The Norton equivalent is just a current source with current  $I_s$ , that is,  $R_{no} = \infty$ .
- (e) The Thévenin equivalent is just a voltage source with voltage  $V_s$ , that is,  $R_{th} = 0$ . Notice that adding a parallel resistor does not change the Thévenin equivalent. As before, since the circuit is effectively a voltage source, a Norton equivalent is not required.
- (f) The Norton equivalent is just a current source with current  $I_s$ , that is,  $R_{no} = \infty$ . Notice that adding a series resistor does not change the Norton equivalent. With a similar argument as before, the Thévenin equivalent for the source is not required, as it is a current source.

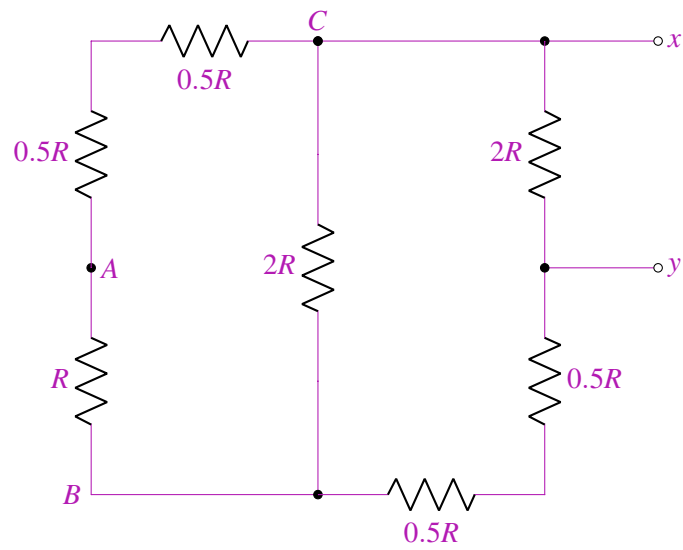
### 3. Series and Parallel Combinations

For the resistor network shown below, find an equivalent resistance between the terminals  $x$  and  $y$  using the resistor combination rules for series and parallel resistors.

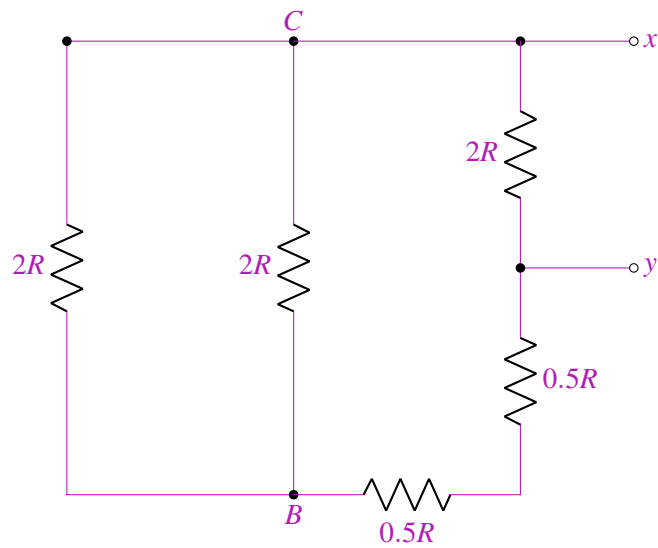


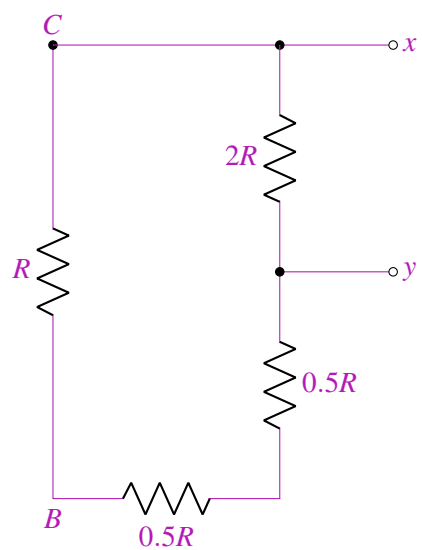
**Answer:**

We find the equivalent resistance for the resistors from left to right. First we find  $R_{AB}$ .

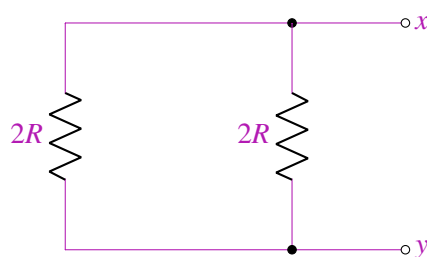


Then we can find  $R_{CB}$ .

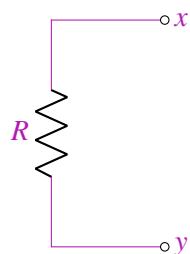




If we move from node  $C$  counter-clockwise to node  $y$ , the resistance seen is  $R + 0.5R + 0.5R = 2R$ . Therefore we have,



Now we can find  $R_{xy}$ .



Therefore, the equivalent resistance is  $R_{xy} = R$ .