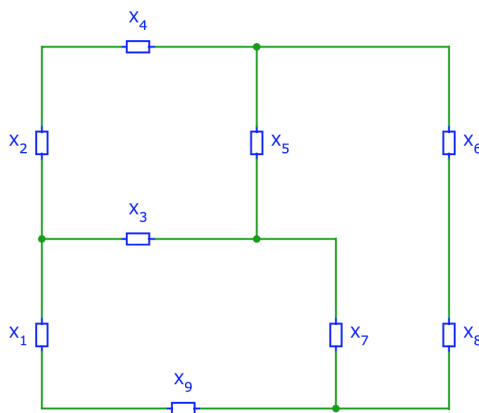


EECS 16A Designing Information Devices and Systems I

Summer 2020 Discussion 3A

1. Nodes and Branches

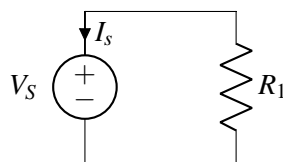
In the circuit shown below, label and count all nodes and branches.



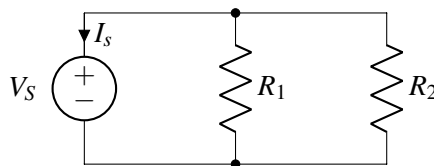
2. A Simple Circuit

Use KVL and/or KCL to solve the following circuits.

- (a) For this problem assume $V_S = 1V$ and $R_1 = 1k\Omega$. Find the current, I_S flowing through the voltage source.



- (b) For this problem assume $V_S = 1V$, $R_1 = 2k\Omega$, and $R_2 = 2k\Omega$. Find the current, I_S flowing through the voltage source.



3. Practice: Voltage Divider

For the circuit below, find the voltage V_{out} in terms of the resistances R_1 , R_2 , and V_S .

