
EECS 16A Designing Information Devices and Systems I

Fall 2021 Homework 8

This homework is due Friday, October 22, 2021 at 23:59. Self-grades are due Monday, October 25, 2021, at 23:59.

Submission Format

Your homework submission should consist of **one** file.

- `hw8.pdf`: A single PDF file that contains all of your answers (any handwritten answers should be scanned).

Submit the file to the appropriate assignment on Gradescope.

1. Mid-semester Class Survey

Please fill out the EECS16A Mid-semester Class Survey ([click here](#)). We appreciate your feedback towards improving this class — this really helps us improve future semesters as well as latter parts of this class. This survey is completely anonymous.

An incentive to do this: If more than 75% of the class fills out this survey in full, we will add 1 point to everyone's MT1 score. Please note that EECS 47D students are not required to fill out the survey.

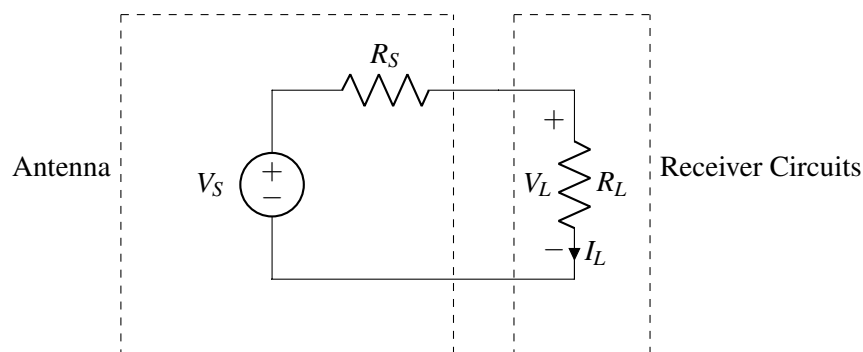
2. Reading Assignment

For this homework, please read Notes 15 and 16. Note 15 covers superposition and equivalence, two very helpful techniques to help simplify circuit analysis. Note 16 will introduce capacitors and how they work, in addition to their equivalence and physical properties.

3. Maximum Power Transfer

***Learning Goal:** This problem shows how the power dissipated in the load depends on the value of the load resistance. It also helps to understand the condition required for maximum power transfer.*

Smartphones use "bars" to indicate strength of the cellular signal. Fewer "bars" translate to slow or no connectivity. But what do these "bars" actually stand for? Voltage, current? Well, not quite. Good radio (a cellular modem is a particular type of radio) reception depends on the **power received at the receiver**. Communication theory tells us that higher received signal power enables higher data rates. To that end, we design a receiver that maximizes the power received, and hence connection speed. A typical receiver consists of an antenna and receiver circuits. The antenna receives the radio waves propagating in space, and converts it into electrical voltages and currents. A very good abstraction used by circuit designers is to **model the antenna as a voltage source V_S , with a series resistance R_S** . The typical values of V_S in a real cellular receiver are in the range of micro- or milli-volts (10^{-6} and 10^{-3} , respectively) and the typical values of resistance R_S are usually 50Ω or 75Ω , depending on how the antenna is designed. The receiver circuits are quite complex and will be covered in detail in EE142 "Integrated Circuits for Communications". However, a standard abstraction is to **model these receiver circuits as a load resistance R_L** to the antenna, as shown in the figure below.



Models are very important in engineering design for their ability to abstract away details when they are not needed and are the key to successful design of complex systems. We will discuss the use and properties of electronic circuit models further in class.

Use the following component values for your calculations: $V_S = 100\mu\text{V}$, and $R_S = 50\Omega$.

- (a) Consider any value of R_L within the range: $0 \leq R_L \leq \infty$. Find the value of R_L that maximizes the **voltage** V_L across resistor R_L . Calculate the values of V_L , I_L , and the power P_L dissipated by resistor R_L for the value you found.

(Hint: The antenna voltage V_S and the resistance R_S are fixed. However, you are free to choose the value of R_L in order to maximize the voltage V_L . Alternatively, you may also intuitively argue for a particular value of R_L . How does the voltage across a resistor change as the value of the resistor increases?)

- (b) Consider any value of R_L within the range: $0 \leq R_L \leq \infty$. Find the value of R_L that maximizes the **current** I_L through resistor R_L . Calculate the values of V_L , I_L , and the power P_L dissipated by resistor R_L for the value you found.

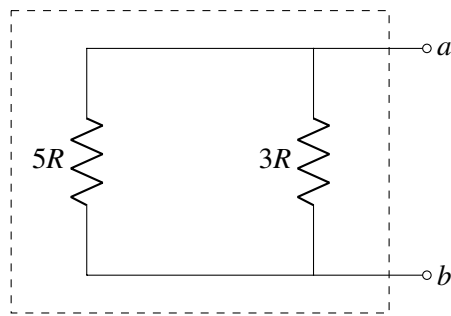
(Hint: The antenna voltage V_S and the resistance R_S are fixed. However, you are free to choose the value of R_L in order to maximize the current I_L .)

- (c) Find the value of R_L that maximizes the **power** P_L delivered to resistor R_L . Calculate the values of V_L , I_L , and the power P_L delivered to resistor R_L . **It is important to note that this value of R_L which maximizes the power delivered to R_L also optimizes cellular connectivity.** *(Hint: The power optimization is best performed algebraically by setting the derivative of P_L with respect to R_L to 0. Alternatively you can do the optimization graphically. Plot P_L versus R_L and find the maximum.)*

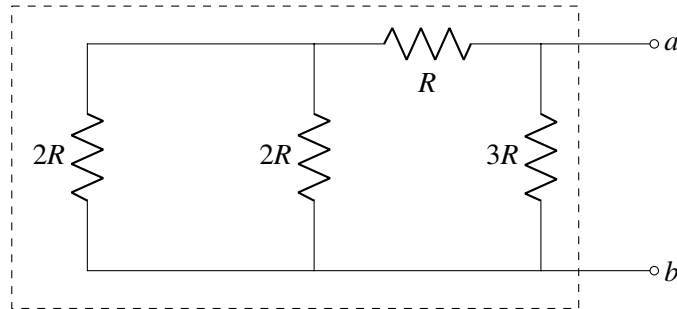
4. Equivalent Resistance

Learning Goal: The objective of this problem is to practice finding the equivalent to a series/parallel combination of resistors.

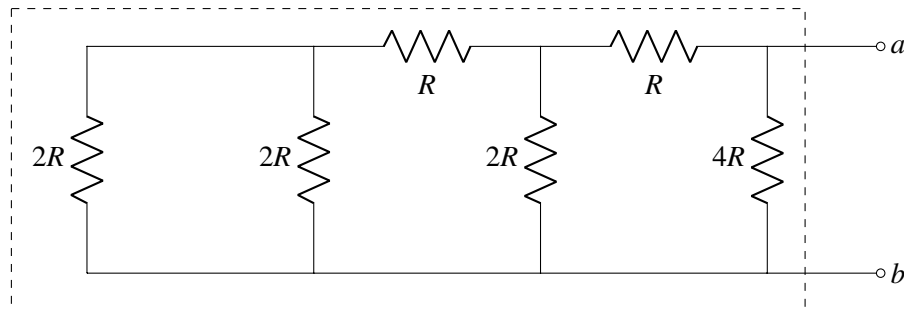
- (a) Find the equivalent resistance looking in from points a and b . In other words, express the resistive network in the dashed box as one resistor.



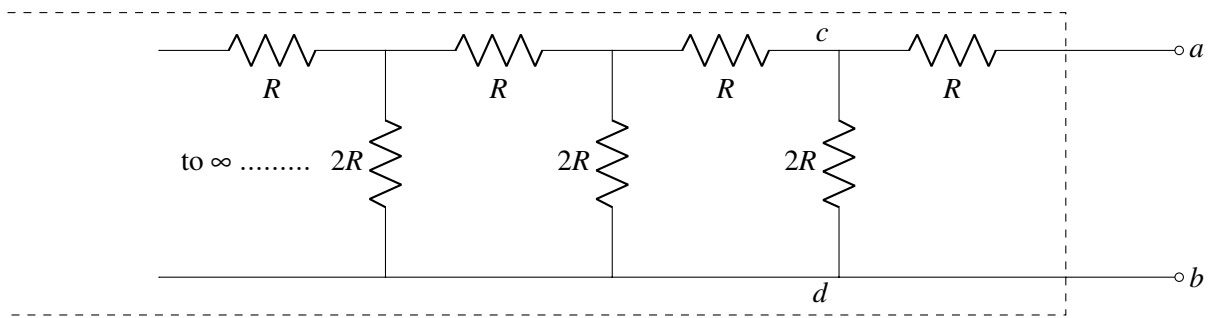
(b) Find the equivalent resistance looking in from points a and b . In other words, express the resistive network in the dashed box as one resistor.



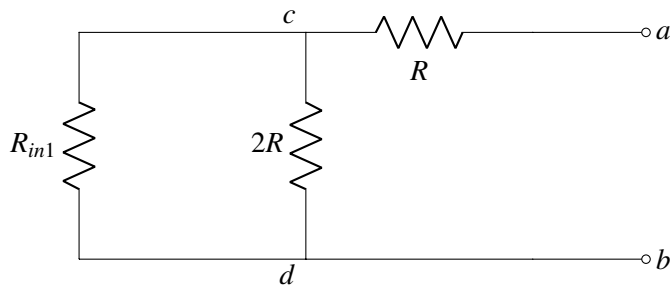
(c) Find the equivalent resistance looking in from points a and b . In other words, express the resistive network in the dashed box as one resistor.



(d) **(OPTIONAL, CHALLENGE)** Find the equivalent resistance for the infinite ladder looking in from points a and b . In other words, express the resistive network in the dashed region as one resistor. (Hint: Let's call the resistance looking in from a and b as R_{in} , and the resistance looking to the left from points c and d as R_{in1} . Replace the entire circuit to the left of points c and d with a resistor whose value is given by R_{in1} . Find the relationship between R_{in} and R_{in1} using this circuit. Find another relationship between R_{in} and R_{in1} using the fact that the ladder is infinite. For an infinite ladder, adding another branch does not change the equivalent resistance. Think of this as a convergent infinite series.)



As a first step you can replace the circuit looking to the left from c and d by R_{in1} .



5. Measuring Voltage and Current

Learning Goal: The objective of this problem is to provide a deeper understanding in current and voltage measurement processes. It will also help you to understand how the electrical parameters of a measurement tool can affect the measurement precision.

In order to measure quantities such as voltage and current, engineers use voltmeters and ammeters. A simple model of a voltmeter is a resistor with a very high resistance, R_{VM} . **The voltmeter measures the voltage across the resistance R_{VM} .** The measured voltage is then relayed to a microprocessor (such as the MSP430 microprocessor, which will be used in lab).

This model of an voltmeter is shown in Figure 1. Let us explore what happens when we connect this voltmeter to various circuits to measure voltages.

Throughout this problem assume $R_{VM} = 1M\Omega$. Recall that the SI prefix M or Mega is 10^6 .

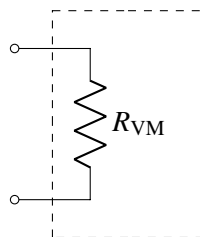


Figure 1: Our model of a voltmeter, $R_{VM} = 1M\Omega$

- (a) Suppose we wanted to measure the voltage across R_2 (v_{out}) produced by the voltage divider circuit shown in Figure 2 on the left. The circuit on the right in Figure 2 shows how we would connect the voltmeter across R_2 . Assume $R_1 = 100\Omega$ and $R_2 = 200\Omega$.

First calculate the value of v_{out} . Then calculate the voltage the voltmeter would measure, i.e. v_{meas} .

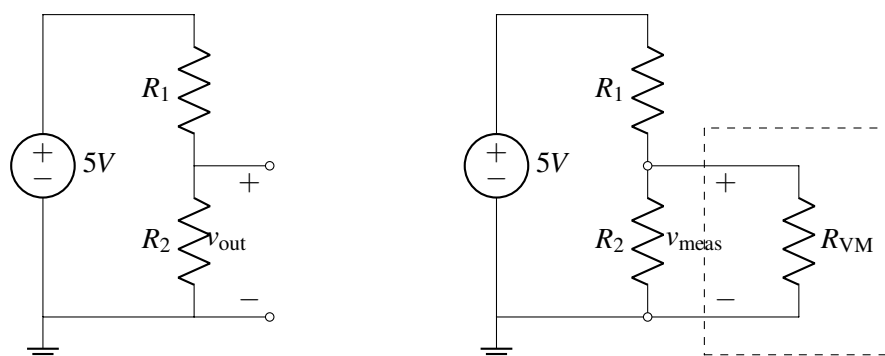


Figure 2: *Left*: Circuit without the voltmeter connected. *Right*: Voltmeter measuring voltage across R_2 .

- (b) Repeat part (a), but now $R_1 = 10M\Omega$ and $R_2 = 10M\Omega$ (keeping R_{VM} the same). Is this particular voltmeter still a good tool to measure the output voltage? Justify why or why not. (Notice that a *good* voltmeter should not significantly affect the value of voltages in a circuit by its presence.)
- (c) Now suppose we are working with the same circuit as in part (a), but we know that $R_2 = R_1$. What is the maximum value of R_1 such that $v_{out} - v_{meas} \leq 0.1 \cdot v_{out}$ (i.e. v_{meas} is only 10% smaller than v_{out})?
- (d) We can make **an ammeter** and measure the current through an element, using the combination of our voltmeter and an additional resistor R_x . The circuit shown in Figure 3 encompassed by the dashed box can work as an ammeter, where $R_x = 1\Omega$. We insert it in the circuit so that the current we want to measure flows through R_x , and then measure the current as $I_{meas} = \frac{V_{VM}}{R_x}$ where V_{VM} is the voltage across the voltmeter. $R_{VM} = 1M\Omega$ is the same as in previous parts.

In Figure 4, the voltmeter-resistor combo is connected so that the current we want to measure flows through resistor $R_1 = 1k\Omega$. For the circuit on the left, find the current through R_1 without the voltmeter-resistor combo connected (i.e. I_1). Then, for the circuit on the right, find the current measured by the voltmeter-resistor combo when it is connected as an ammeter (i.e. I_{meas}).

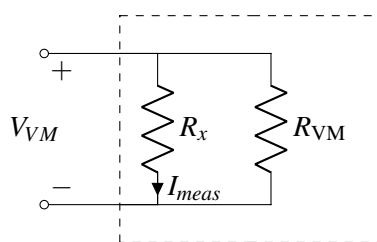


Figure 3: The voltmeter combined with resistor R_x to function as an ammeter (i.e. to measure current), $R_{VM} = 1M\Omega$.

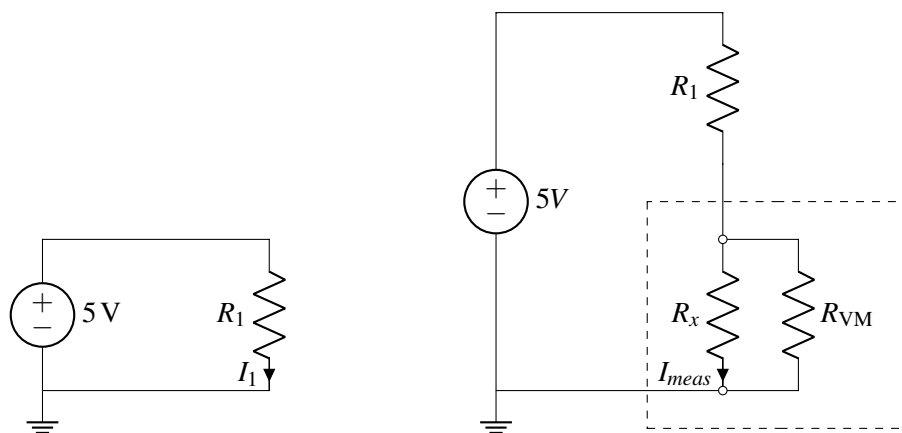


Figure 4: Circuits for part (d). *Left*: Original circuit; *Right*: Circuit with the voltmeter connected as an ammeter.

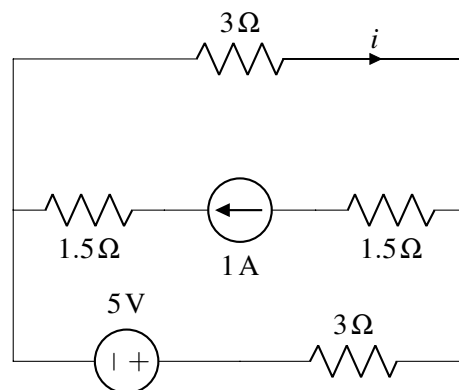
- (e) **(Optional)** What is the minimum value of R_1 that ensures the difference between current measurement (I_{meas}) and the the actual value (I_1) is such that $I_1 - I_{\text{meas}} \leq 0.1 \cdot I_1$, i.e. stays within $\pm 10\%$ of I_1 ? In other words, find the minimum allowable value for R_1 such that $I_1 - I_{\text{meas}} \leq 0.1 \cdot I_1$.

Hint: You can approximate $R_{\text{VM}} \parallel R_x \approx R_x$ and $\frac{R_{\text{VM}} \parallel R_x}{R_x} \approx 1$.

6. Superposition

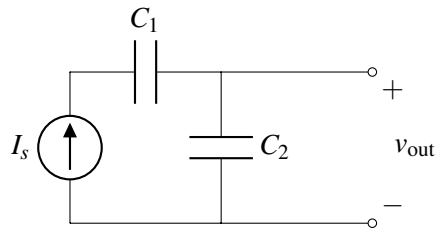
Learning Goal: The objective of this problem is to help you practice solving circuits using the principles of superposition.

Find the current i indicated in the circuit diagram below using superposition.

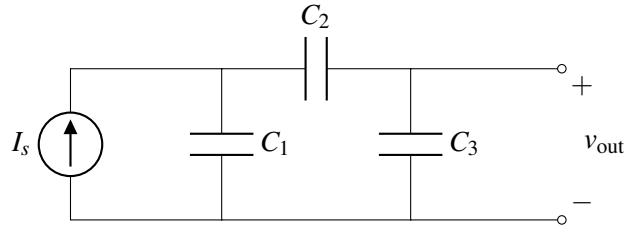


7. More Current Sources And Capacitors

- (a) For the circuit given below, give an expression for $v_{\text{out}}(t)$ in terms of I_s , C_1 , C_2 , and time t . Assume that all capacitors are initially uncharged, i.e. the initial voltage across each capacitor is 0V.



- (b) For the circuit given below, give an expression for $v_{\text{out}}(t)$ in terms of I_s , C_1 , C_2 , C_3 , and t . Assume that all capacitors are initially uncharged, i.e. the initial voltage across each capacitor is 0 V. You may choose to use either NVA or capacitor equivalences to help you solve this problem.



8. Homework Process and Study Group

Who did you work with on this homework? List names and student ID's. (In case you met people at homework party or in office hours, you can also just describe the group.) How did you work on this homework? If you worked in your study group, explain what role each student played for the meetings this week.